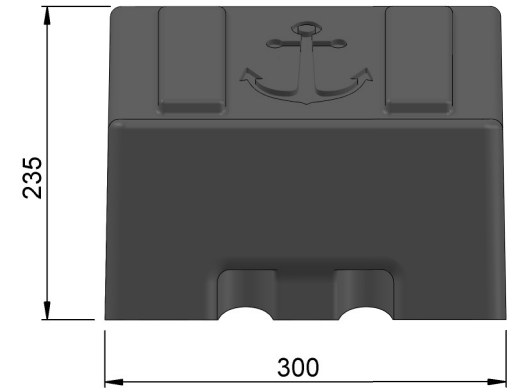
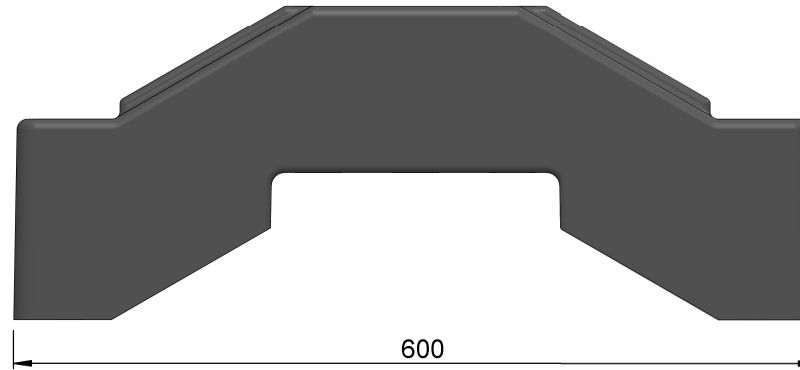
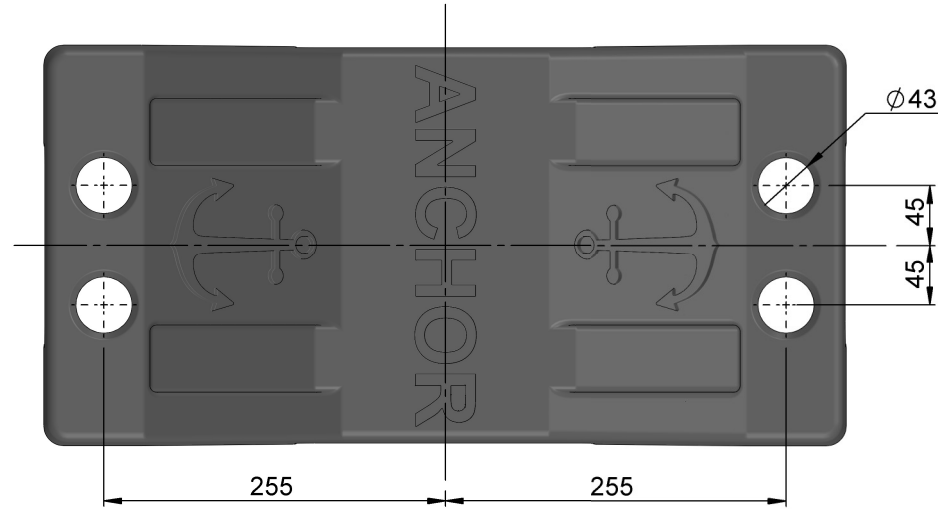


ALL DIMENSIONS IN MILLIMETRES  
REMOVE ALL SHARP EDGES

THIRD ANGLE PROJECTION  
DO NOT SCALE DRAWING



| REV | DATE     | DESCRIPTION            | DRN | CHKD | APPR |
|-----|----------|------------------------|-----|------|------|
| 2   | 21/11/19 | ISSUED FOR MANUFACTURE | GC  | .    | .    |
| 1   | 15/11/19 | ISSUED FOR MANUFACTURE | GC  | .    | .    |

| TOLERANCES - UNLESS STATED OTHERWISE |   |         |
|--------------------------------------|---|---------|
| FABRICATION                          | UP TO 300mm                                       | +/- 1mm |
|                                      | UP TO 1000mm                                      | +/- 2mm |
|                                      | 1001mm & ABOVE                                    | +/- 3mm |
|                                      | ANGULAR   | +/- 1°  |
| MACHINING                            | +/- 0.2mm   |         |
| GAUGE                                | +/- 10%   |         |
| WEIGHT                               | +/- 10% (DUE TO MATERIAL PROPERTIES & TOLERANCES) |         |

| TITLE: ANCHOR BLOCK |           |         |              |
|---------------------|-----------|---------|--------------|
| NAME                | SIGNATURE | DATE    | MATERIAL:    |
| DRAWN G. CRICK      |           | 30/5/19 | RECYCLED PVC |
| CHK'D               |           |         |              |
| FINISH: NONE        |           |         |              |



WAS 12051100

|                     |          |
|---------------------|----------|
| Drw / Stockcode No. | Revision |
| <b>12051042</b>     | <b>2</b> |

THE COMPANY RETAIN THE RIGHT TO PERIODICALLY ALTER INFORMATION WITHIN THIS DRAWING SHEET AND WILL ATTEMPT TO NOTIFY ALL PARTIES CONCERNED OF ANY CHANGES AND THE INFORMATION ON THIS SHEET SHOULD NOT BE REPRODUCED WITHOUT THEIR WRITTEN CONSENT.