

GOOD DRILLING

ORIGINAL INSTRUCTIONS

To get the best possible performance from your new Magnetic Drilling Machine, please read this carefully BEFORE using the drill.

F GUIDE POUR UN BON CAROTTAGE - INSTRUCTIONS ORIGINALES

Pour obtenir les meilleures performances de votre Perceuse Magnétique veuillez lire attentivement ce guide AVANT de l'utiliser.

D RICHTLIJNEN ZUM GUTEN BOHREN - URSPRÜNGLICHE ANWEISUNGEN

Lesen Sie bitte diese Richtlinien VOR der Arbeit mit dem Bohrer sorgfältig, damit Sie die bestmögliche Leistung aus Ihrer neuen Magnetbohrmaschine herausholen können.

NL PRAKTISCHE RICHTLIJNEN VOOR GOED BOREN - ORIGINELE INSTRUCTIES

Om met uw nieuwe magnetische boormachine de best mogelijke resultaten te verkrijgen is het belangrijk dat deze richtlijnen goed worden gelezen VOORDAT de boormachine wordt gebruikt.



To help you get the best possible performance from your new Magnetic Drilling Machine, this guide contains simple, sensible pointers for the safe, effective and long term use of the equipment.

PLEASE READ IT CAREFULLY BEFORE USING THE DRILL.

- Ensure that you have observed all the general and specific safety procedures.

The Broach Cutting Concept	3
Material and Cutting speeds ...	4
Feeds and Speeds	5
Safety Instructions	6
Maintenance	7
Fitting Safety Guards	8
Fitting Cutters	9
Control Panels	10
Making the cut	11
Noise & Vibration	12
Warranty	13
FRANCAIS	14
DEUTSCH	26
NEDERLANDS	37

Explanation of the pictograms on the specification plate



READ INSTRUCTION MANUAL
before using the tool.



DANGER!
Indicates an imminent danger or risk to life and health of a general nature.




ELECTRICAL DANGER!
This means a direct pending danger or risk to life due to electricity.



WEAR EYE & EAR PROTECTORS



USE SAFETY STRAP!
to attach the tool to the workpiece.



EC Declaration of Conformity
Certificate No. EC/MT

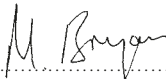
We hereby certify that the machine described below:-

1. TYPE : *ELECTRO MAGNETIC DRILLING MACHINE*
2. MODEL No: *SEE MACHINE DATA PLATE*
3. SERIAL No: *SEE MACHINE DATA PLATE*

conforms to the following European Directives:

2014/30/EU
2006/42/EC
2011/65/EU

EN61029-1:2009+A1:2010,
and with the essential Health & Safety requirements.

Signed: 

M. T. Bryan (Director)

UNIVERSAL DRILLING & CUTTING EQUIPMENT LTD.
43 Catley Rd. Sheffield S9 5JF, United Kingdom.
30th January 2016



RECYCLING

Do not dispose of electrical equipment together with household waste material!

In observance of European Directive 2002/96/EC on waste electrical and electronic equipment and its implementation in accordance with national law, electric equipment that has reached the end of its life must be collected separately and returned to an environmentally compatible recycling facility.

**WEEE Compliance Certificate:-
WEE/EH0103WV**

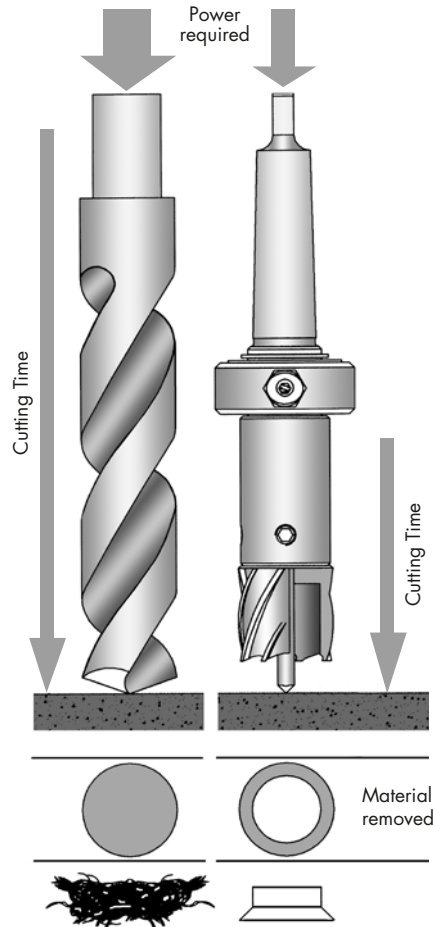
All magnetic drilling systems are fully compliant with ROHS regulations.

THE BROACH CUTTING CONCEPT

If you are unfamiliar with the use of annular (or broaching) cutters, take a few minutes to read this guide - you will benefit from the better performance and longer life of the tool if you understand the concept.

Annular cutters only cut material at the periphery of the hole, rather than converting the entire hole to shavings. As a result the time and energy required to make the hole is lower than for a traditional twist drill.

The broaching capacity of a machine is therefore greater than the twist drill capacity. The slug ejected after the cut also has a higher scrap value than shavings.



MATERIAL AND CUTTING SPEEDS

- The ease with which material can be drilled is dependant on several factors including tensile strength and abrasion resistance. Whilst hardness and/or strength is the usual criterion, wide variations in machinability can exist among material showing similar physical properties.

- The cutting conditions can be dependent upon requirements for tool life and surface finish and further restricted by the rigidity of the tool and work piece, lubrication and machine power available.

- The harder the material the lower the cutting speed. Some materials of low hardness contain abrasive constituents leading to rapid

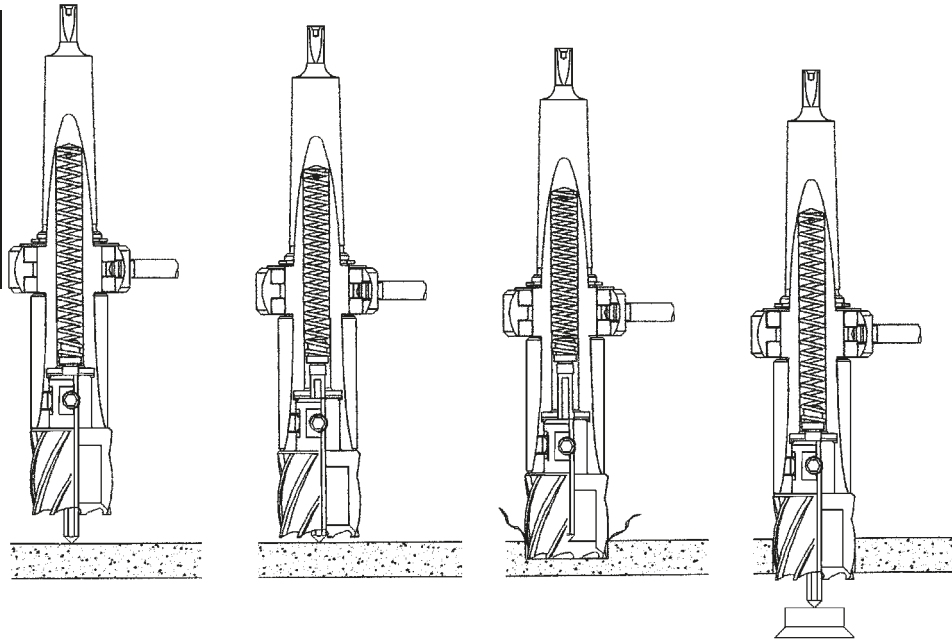
cutting edge wear at high speeds. Feed rates are governed by rigidity of set up, volume of material to be removed, surface finish and available machine power.

- It is preferable to set and maintain a constant surface speed (RPM) for a given material and vary the feed rate within defined limits.

- Machine feed is measured in inches or millimetres per minute and is the product of $RPM \times \text{number of teeth in the cutter} \times \text{feed per tooth}$. Too light or excessively high feed rates will both cause premature cutter failure. Heavy feeds on hard materials will cause chipping of the cutting edge and excessive heat generation.

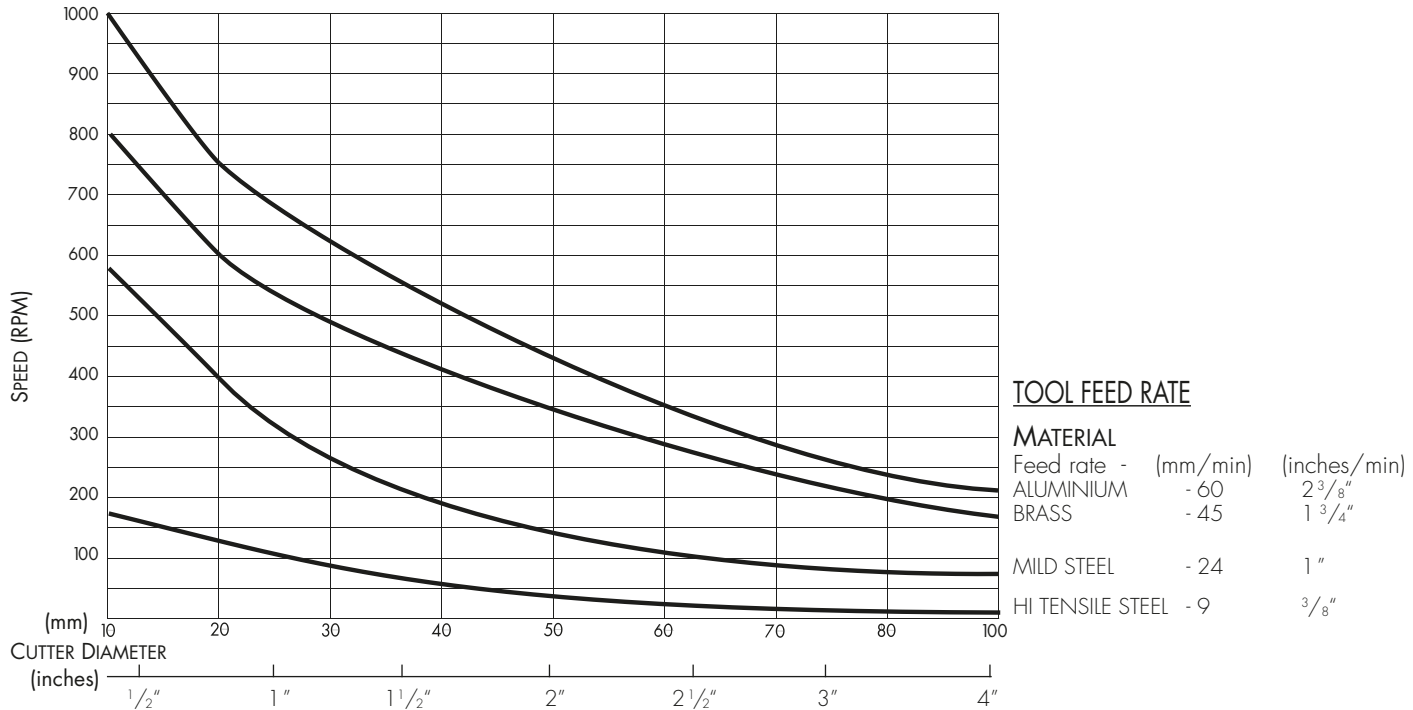
- Slender and long shanked cutters are restricted in feed rate due to deflection, and wherever possible the largest and most robust tool must be used. This is important for harder materials. Steel up to 400 HB is the potential limit for conventional M2 HSS tools.

Above 300 HB, cobalt alloy cutters should be considered for increased tool life. In softer grades of material, cobalt alloy cutters may give increased output by increasing speeds and feed rates by up to 50%. Tungsten Carbide cutters permit surface speeds and feed rates up to twice those for standard cutters.



FEEDS AND SPEEDS

CUTTING SPEEDS. Suggested speed rates for varying cutter sizes/materials



PLEASE NOTE:

These figures are quoted as a starting point. Actual performance will be dictated by material type, thickness and hardness, application and cutter condition.

ENGLISH

GENERAL & SAFETY INSTRUCTIONS

WARNING! *When using electric tools basic safety precautions should always be followed to reduce the risk of fire, electric shock and personal injury including the following.*

Read all these instructions before attempting to operate this product and save these instructions.

KNOW YOUR POWER TOOL

Read and understand the owner's manual and labels fixed to the tool. Learn its application and limitations as well as the potential hazards.

1. UNPACKING & ASSEMBLY

Remove unit from the carry case and screw the three handles into the centre boss. Keep handles dry, clean and free from oil and grease. Assemble, fit and fill the oilfeed bottle if applicable. Always inspect the whole unit before use, check nuts, screws etc. for tightness before each use. Ensure free and smooth movement of the slide. Fit the safety guard, (see page 8).

ALWAYS use the correct handles for lifting and moving the unit - NOT the cables.

2. EARTHING

Ensure that (where applicable) suitable earthed cords and plugs are used and correctly connected. Check cable and plug for damage.

3. KEEP GUARDS IN PLACE (where applicable) - in working order and correct adjustment & alignment.

SAFETY

WORK AREA

Keep work area clean, cluttered areas and benches invite accidents. Floor must not be slippery due to oils, or dust.

4. AVOID DANGEROUS ENVIRONMENTS

Don't use power tools in the presence of flammable liquids or gases, in damp or wet locations or expose them to rain. Keep work area well lighted. Provide adequate surrounding work space.

5. MAKE WORKSHOP SAFE

Use padlocks, master switches, remove keys. Visitors should be a safe distance from work area. When not in use, tools should be stored in a dry locked-up place.

WEAR PROPER APPAREL

6. Do not wear loose clothing, gloves, neckties or jewellery (rings, wristwatches) which may get caught in moving parts.

NONSLIP footwear is recommended.

Wear protective hair covering to contain long hair. Roll long sleeves above the elbow.

7. USE SAFETY GOGGLES. (Head Protection)

Wear approved safety goggles at all times.

Everyday eyeglasses only have impact resistant lens, they are NOT safety glasses. Also, use face or dust mask if cutting operation is dusty, and ear protectors during extended periods of operation.

SETTING UP

Inspect cords and if damaged always have them repaired by an authorized service facility. Do not abuse the cord - never yank the cord to disconnect it from the socket. Keep the cord away from heat, oil and sharp edges.

8. REMOVE ADJUSTING KEYS & WRENCHES. Form a habit of checking that keys & adjusting wrenches are removed from tool before use.

9. SECURE WORK. Secure the unit with the safety strap before drilling. Use clamps or a vice to hold work when practical.

OPERATION

See model specific instructions and 'Making the cut' guidance on pages 10 & 11.

10. DON'T FORCE TOOL

It will do the job better and more safely at the rate for which it was designed.

11. USE CORRECT TOOL

Don't force tool or attachment to do a job it was not designed for. Never use blunt or damaged cutters.

12. DON'T OVERREACH.

Keep proper footing and balance at all times.

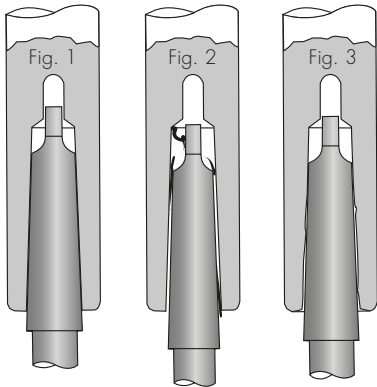
OTHER POINTS TO NOTE.

- Never leave tool running unattended, turn power off.
- Don't leave tool until it comes to a complete stop.
- Keep the unit and workpiece as clear of dirt and shavings as possible.
- On swivel machines, ensure that the swivel base is locked in the required position.
- Do not attempt to change speed while the drill is running.
- Never modify the tool in any way.

MORSE TAPER ARBORS

- Care must be taken with the fitting of Morse Taper arbors to avoid damage to the tang. The tang is for ejection of the arbor only and should not transfer any of the rotational forces.
- For maximum efficiency the taper shank should be a good clean fit in the socket, as Fig. 1.
- The shank and socket must be free of oil, dirt and swarf and should always be wiped with a cloth before inserting the taper into the socket.
- If dirt, swarf or oil is trapped between the shaft and the socket, as Fig.2, the friction area that transfers the rotational drive is greatly reduced, resulting in twisting or breaking of the tang.
- Similarly, wear or damage to the socket taper (Fig. 3) will also reduce effectiveness, and it should be replaced.

The arbor should be tapped in with a soft faced hammer to ensure correct seating of the taper in the socket.



MAINTENANCE

13. DISCONNECT TOOLS before servicing; when changing accessories such as cutters, etc.

14. Keep tools sharp and clean for best and safest performance. Follow instructions for lubricating and changing accessories.

15. Only Use Recommended ACCESSORIES.

Follow the instructions that accompany the accessories. The use of improper accessories may cause hazards.

16. CHECK FOR DAMAGED PARTS

Before further use of the tool, a guard or other part that is damaged should be carefully checked to ensure that it will operate properly and perform its intended function. Check for alignment of moving parts, binding of moving parts, breakage of parts, mounting, and any other conditions that may affect operation. A guard or other part that is damaged should be properly repaired or replaced by an authorized service centre.

- Occasionally apply a few drops of oil to the rack toothing.
- The bearings of the feed shaft are self-lubricating and must not be greased
- Lubricate the sliding surface of the carriage with MOLYCOTE grease.
- When not in use or being transported the unit should be kept in the case supplied.
- After use ensure unit is clean of swarf and dirt.

• Parts that are worn or damaged should be replaced immediately with genuine manufacturer's replacements, by an authorized service facility. .

• Ensure all cutting edges are sharp when in operation. Using blunt cutting tools may lead to an overload of the motor.

• After every 30 minutes running, it is recommended that the machine is laid on its side to permit grease to run across the gear train.

• After repeated use, the cradle may become loose. This is remedied by adjusting the tension screws on the side of the body. Put a 2.5mm hex wrench into head of cradle retaining nuts, & using 8mm spanner turn the locking nuts anti-clockwise, holding the hex wrench without moving grub screws.

Using the hex wrench gently tighten screws in series until the cradle moves freely in the slide but does not allow the motor to wobble.

When adjustment is complete re-tighten locking nuts clockwise, ensuring the grub screws do not move from their new positions.

IMPORTANT MESSAGE!

TO PREVENT DAMAGE TO THE CIRCUITRY, NEVER USE ELECTROMAGNETIC DRILLING MACHINES AND WELDING EQUIPMENT ON THE SAME WORKPIECE SIMULTANEOUSLY.

DRILL GUARD INSTRUCTIONS

Ensure drill unit is isolated from power supply.

TYPE 1 - This type uses a single screw to fix the guard to the drill.

Fit guard to drill in position shown in fig. 1. Secure the guard to drill with the screw supplied. **DO NOT** overtighten the fixing screw, this should be loose enough to allow the guard to rise when required. Lower the guard to drilling surface. When drilling, the guard should always be in contact with the surface being drilled. As the drill is lowered, the guard will rise in relation to the drill.

TYPE 2 - This type uses two screws to support the guard in position, one either side of the drill.

If necessary press the plastic guard guides into their locating holes on either side of the motor cradle

Fit guard to drill as shown in fig 2.

Secure guard to drill with screws and washers supplied. **DO NOT** overtighten the fixing screws, these should be loose enough to allow the guard to rise when required. Lower guard to drilling surface.

When drilling, the guard should always be in contact with the surface being drilled. As the drill is lowered, the guard will rise in relation to the drill.



Fig. 1



Fig. 2

(STANDARD ARBOR)

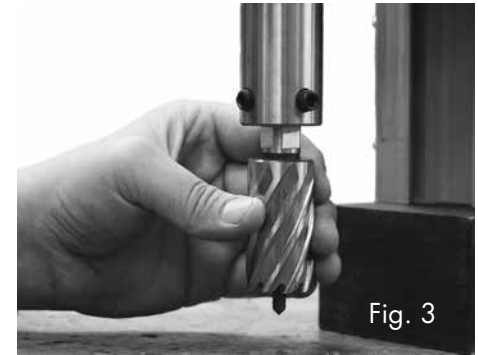


Fig. 3

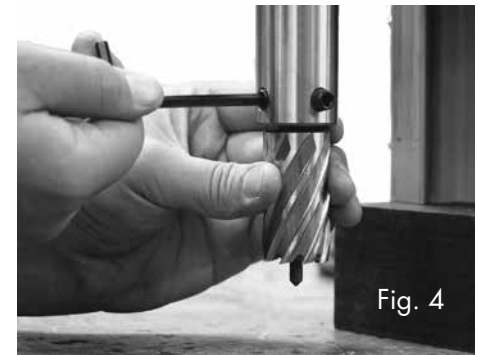


Fig. 4

FITTING THE CUTTER (QUICKHITCH ARBOR)

ENSURE POWER IS OFF BEFORE WORKING ON THE MACHINE

Insertion of pilot pin

- The pilot pin is used to both centre the cutter and to eject the slug on completion of the cut. It has a flat side to allow coolant to run down to reach the centre of the cut where the heat is greatest. Slide the pin through the hole in the centre of the cutter shank.

FITTING THE CUTTER

- With a **Standard arbor**, two grub screws secure the cutter in the arbor. The cutter shank has two flats that must be aligned with the grub screws in the arbor (fig. 3). Insert the cutter shank into the arbor. The screws must be tightened evenly (using the 5mm Allen key supplied) so that the cutter is prevented from moving (fig. 4).

- Machines fitted with the **Quickhitch™ arbor** will accept any cutter with a 19mm diameter shank having one or more flats.

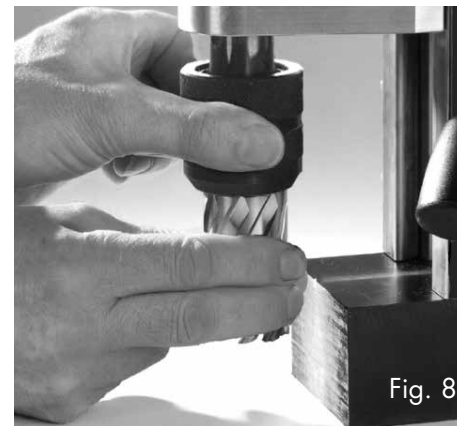
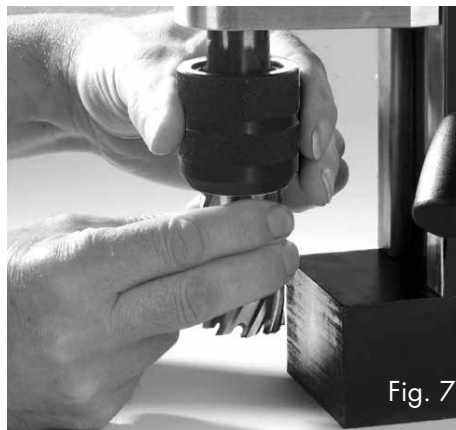
To fit a cutter, align it below the Quickhitch™ and twist the arbor sleeve clockwise against its spring and hold, Fig. 5.

Insert shank of cutter into arbor, push it home and release the sleeve, Fig.6.

Twist the cutter in the arbor to ensure the flat is engaged in the locking mechanism, Fig.7.

Turn the sleeve fully anti-clockwise to complete the locking operation' Fig.8.

To remove the cutter, simply twist the sleeve clockwise against the spring, the cutter will be ejected.



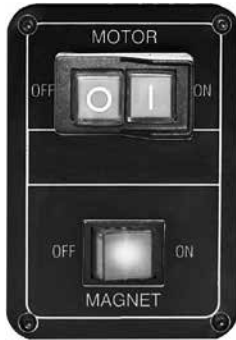
N.B. Safety strap and guards have been omitted from the photo's.

CONTROL PANELS

• Our machines are fitted with three differing types of control panel according to the technical requirements of the unit. Each has a slightly different operating procedure, so users should identify which panel is fitted and become familiar with use of the controls. DO NOT USE THE TOOL IF THE SWITCH DOES NOT TURN IT ON AND OFF.

NCP PANEL

- Plug the machine into the power socket.
- **TO POWER UP THE MACHINE/ENERGISE THE MAGNET**, press the red 'MAGNET' rocker switch to 'ON'
- **TO START THE MOTOR** - press the green motor 'ON' button.
- **TO STOP THE MOTOR**, press the red motor 'OFF' button.



REVERSING OPTION

(NCP reversing panel only - not shown)

- Power up the drill & energise the magnet as before
- **START THE MOTOR** - press the green button
- **TO DRILL IN REVERSE** - move the 3 way toggle switch to the centre position, WAIT FOR THE MOTOR TO STOP, then move the toggle switch to 'Reverse' and the motor will run in reverse.

PANEL P

- Plug the machine into the power socket and the red 'POWER' LED on the panel will flash.
- **TO POWER UP THE MACHINE**, press and release the red button.
- **TO ENERGISE THE MAGNET**, press and release the yellow 'MAGNET' button - the yellow LED will light.
- **START THE MOTOR** by pressing and releasing the green button - the green LED will light.
- **TO STOP THE MOTOR**, PRESS & RELEASE GREEN BUTTON.
- To disengage the magnet, press and release the yellow button - there will be a 3 second delay before the magnet disengages along with a continuous beep.



EMERGENCY STOP:

Pressing any button will stop the drill.

- **TO DRILL IN REVERSE (F/R MACHINES ONLY)**, press and hold the green button, wait for the beep, then release the button - the green LED will flash (the pause is to ensure the motor has stopped), the motor will then start in reverse. The green LED indicates as follows:-
ON - Drilling forwards
FLASHING - Drilling in Reverse

MM2 PANEL

- Plug the machine into the power socket the red 'POWER' button will flash.
- **TO POWER UP THE MACHINE**, press and release the red 'POWER' button.
- **TO ENERGISE THE MAGNET**: Press and release the yellow 'MAGNET' button.
- **TO START THE MOTOR**: Press and release the green 'DRILL' button quickly.
- **TO STOP THE MOTOR**: Press and release the green 'DRILL' button.
- **EMERGENCY STOP**: Pressing any button will stop the drill.



MAKING THE CUT

Mark the position of the hole

- Make sure the workpiece is clean and flat and position the machine with the pilot over the centre of the hole to be cut.

FIT THE SAFETY STRAP.

APPLYING COOLANT

- Cutting oil ensures longer cutter life and enables the slug to be ejected cleanly. A 500 ml bottle is included with every machine.
- On machines with a coolant system, oil will be automatically delivered to the cutter when the cut commences
- On machines with an internal oil arbor, fill the reservoir in the arbor through the small holes at the top.
- When cutting on vertical surfaces or upside down, cutting paste, gel or foam is recommended. It is best applied inside the cutter before drilling.
- Plug the machine into the power socket.

• **POWER UP THE MACHINE**, see the specific instructions for the control panel on your machine.

• ENERGISE THE MAGNET

RECHECK the pilot is still centred on the hole position - energising the magnet can sometimes cause the unit to move slightly from the centre mark, reposition if necessary.

- The magnet will hold on all ferrous materials from a minimum of 6mm (1/4") thickness.

STARTING THE CUT

- ALWAYS lower the safety guard.
- **START THE MOTOR**
- Wind the cutter gently down to the surface of the work and apply light pressure until the cutter has made the initial groove in the surface. Increase the pressure until the motor is loaded.
- Maintain steady pressure throughout the rest of the cut. Too much pressure will not speed the cut, it will reduce the life of the cutter and may cause damage to the motor. If the shavings become blue add more oil.

• STOP THE MOTOR.

- If the cutter jams in the workpiece, STOP THE MOTOR and gently raise the cutter out of the workpiece before re-starting.
- If the power is interrupted during the cut, the machine must be reset before the motor will restart.
- At the end of the cut, the slug will be ejected. Withdraw the cutter from the work piece and stop the motor.

NOISE AND VIBRATION

DRILL UNIT SOUND AND PRESSURE MEASUREMENTS - TO DIN EN 60745

MOTOR UNIT	SOUND PRESSURE LEVEL	SOUND POWER LEVEL	NOISE K FACTOR	VIBRATION	VIBRATION K FACTOR
UNI 1	83 dB (A)	96 dB (A)	3 dB(A)	1,67 m/s ²	1.5 m/s ²
UNI 2	84 dB (A)	97 dB (A)	3 dB(A)	1,95 ms/2	1.5 m/s ²
UNI 3	86 dB (A)	99 dB (A)	3 dB(A)	2,47 ms/2	1.5 m/s ²
UNI 4	86 dB (A)	99 dB (A)	3 dB(A)	2,47 ms/2	1.5 m/s ²
HITACHI D13	81.7 dB (A)	94 dB (A)	3 dB(A)	not exceeding 2.5 m/s ²	1.5 m/s ²
MAKITA DS4011	81 dB (A)	92 dB (A)	3 dB(A)	not exceeding 2.5 m/s ²	1.5 m/s ²
AEG B4-32	85 dB (A)	98 dB (A)	3 dB(A)	not exceeding 2.5 m/s ²	1.5 m/s ²
AEG KM1200	80 dB (A)	91 dB (A)	3 dB(A)	not exceeding 2.5 m/s ²	1.5 m/s ²
D5000 - HB500	84 dB (A)	97 dB (A)	3 dB(A)	1,95 ms/2	1.5 m/s ²
AIR MOTOR	87dB(A) at 6 bar	98 dB (A)	3 dB(A)	not exceeding 2.5 m/s ²	1.5 m/s ²

Recommendation for the operator to wear hearing protection.

The declared vibration total value has been measured in accordance with a standard test method and may be used for comparing one tool with another; – that the declared vibration total value may also be used in a preliminary assessment of exposure.

Warning: the vibration emission during actual use of the power tool can differ from the declared total value depending on the ways in which the tool is used.

WARRANTY REGISTRATION

This machine is guaranteed against any faulty components or workmanship for a period of 12 calendar months from the date of purchase provided that:

1. The guarantee card is completed and returned to the address below within ten days from the date of purchase.
2. Any defects are, in the opinion of the warrantor, due to faulty manufacture and are not caused by misuse, tampering or attempted operation at other

than the voltage specified on the name plate of the machine.

3. This guarantee does not cover repairs carried out by unauthorised persons or defects due to fair wear and tear.
4. We reserve the right to charge labour, packing and carriage costs incurred in servicing any item returned.
5. Machines for repair under our guarantee terms must be returned to the supplying distributor.

6. If it is necessary to return this machine for repair, please use the original packaging if possible.
7. The warrantor cannot be held responsible for damage or loss (however caused) to machines in transit.
8. Please complete the date of purchase prior to forwarding Guarantee Registration.
9. Retain this portion for evidence of your purchase which must be submitted in the event of any guarantee claim.

THIS GUARANTEE DOES NOT INVALIDATE YOUR STATUTORY RIGHTS.

COMPLETE AND RETURN THIS CARD NOW.

PLEASE POST IMMEDIATELY

Please register my Magnetic Drilling Machine for guarantee purposes.

I accept the conditions as stated on the Registration of Guarantee

- (1) Date of purchase
- (2) Model and No. (3) **Serial No.**
- (4) Customer's Name
- Address
-
- (5) Distributor's Name
- Address
-
-

UNIVERSAL DRILLING & CUTTING EQUIPMENT LTD.

(UK)

43 Catley Road, Sheffield S9 5JF
United Kingdom.

(Europe)

Dalweg 1 (Pinnepot II) 3233 KK
Oostvoorne. The Netherlands

(USA)

974 North DuPage Ave. Lombard IL.
60148 USA

Afin de vous aider à obtenir les meilleures performances de votre nouvelle Perceuse Magnétique, ce guide contient d'une manière compréhensive les informations de sécurité pour l'utilisation à long terme de votre machine.

AVANT d'utiliser cette perceuse, **ASSUREZ VOUS** d'avoir enregistré les instructions générales et les conditions de sécurité.

Le Concept du Carottage	15
Matériaux et vitesses de coupes	16
Avances et Vitesses	17
Sécurité	18
Maintenance.	19
Fixation du carter de sécurité	20
Montage de la Fraise	20
Tableaux de Bord	22
Demarrage du Percage	23
Bruit et vibrations	24
Certificat de Garantie	25

RECYCLAGE



Ne pas jeter les appareils électriques dans les ordures ménagères!

Conformément à la directive européenne 2002/96/EC relative aux déchets

d'équipements électriques ou électroniques (DEEE), et à sa transposition dans la législation nationale, les appareils électriques doivent être collectés à part et être soumis à un recyclage respectueux de l'environnement.

WEEE numéro de certificat conformément WEE/EH0103WV

Tous les systèmes de perçage magnétique se conforment aux ROHS règlements.

Explication des pictogrammes sur la plaque de spécification



VOUS DEVEZ LIRE CE MODE D'EMPLOI avant de vous servir de cet outil.



DANGER!

Cela indique un danger imminent ou un risque affectant la vie et la santé, mais de type général.



DANGER ÉLECTRIQUE !

Cela indique un danger direct et imminent ou un risque affectant la vie, mais ayant pour origine l'électricité.



PORTEZ DES ACCESSOIRES DE PROTECTION DES YEUX ET DES OREILLES



UTILISEZ DES SANGLES DE SÉCURITÉ ! qui permettent de rattacher l'outil à la pièce sur laquelle vous allez travailler.



CE Déclaration de conformité

Certificat N°.CE/MT

Nous certifions que la machine décrite ci-dessous:

1. TYPE:

PERCEUSE ÉLECTROMAGNÉTIQUE

2. MODÈLE N°:

CONSULTEZ LA PLAQUE SIGNALÉTIQUE DE LA MACHINE

3. NUMERO DE SÉRIE:

CONSULTEZ LA PLAQUE SIGNALÉTIQUE DE LA MACHINE
est conforme aux directives européennes suivantes :

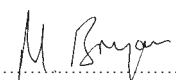
2014/30/ UE

2006/42/EC

2011/65/EU

EN61029-1:2009+A1:2010,

et avec les obligations essentielles en matière de santé, hygiène et sécurité.

Signed: 

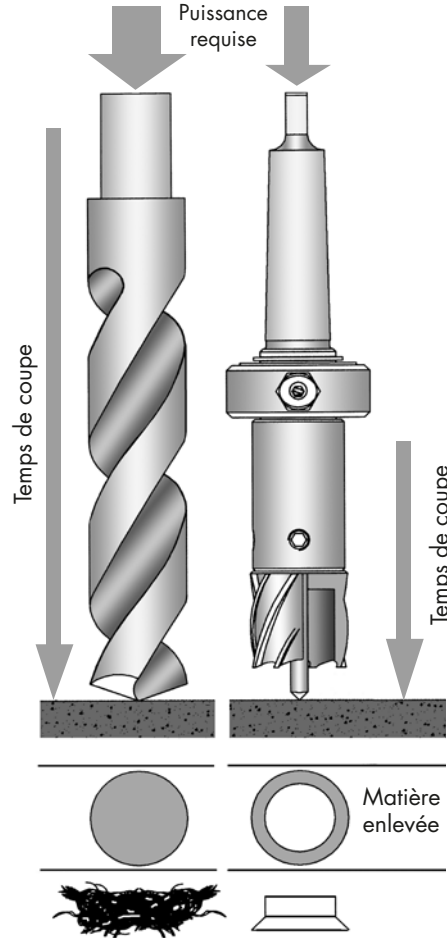
M.T.Bryan (Directeur)

UNIVERSAL DRILLING & CUTTING EQUIPMENT LTD.
43 Catley Rd. Sheffield S9 5JF. Royaume-Uni.

Le 30 janvier 2016

LE CONCEPT DE CAROTTAGE

Si vous n'êtes pas familiarisé avec la coupe par carottage, accordez quelques minutes, pour la lecture de ce guide. En comprenant le concept de ce genre de perçage vous augmenterez performances et longévité des outils. La fraise à carotter coupe le matériau à la périphérie du trou, au lieu d'enlever toute la matière comprise dans son diamètre. Il en résulte une réduction de temps d'usinage et d'énergie par rapport au perçage avec un foret hélicoïdal. Avec le carottage, la quantité de matière enlevée étant très réduite, la capacité de perçage pour une même machine est bien supérieure à celle obtenue avec les forets hélicoïdaux. La valeur de la débouchure est plus importante que celle des copeaux des forets hélicoïdaux.



MATIERES ET VITESSES DE COUPES

* La facilité de perçage dépend de plusieurs paramètres dont la dureté de la matière et sa résistance à l'abrasion. Si dureté et / ou résistance sont les critères habituels d'un matériau, il y a très souvent des différences importantes pour une même matière.

* Les conditions de coupe peuvent aussi dépendre des critères suivants: durée de vie des outils, finition de la surface, rigidité de l'outil, lubrification, puissance disponible de la machine.

* Plus la matière est dure, plus la vitesse de coupe est faible. A grande vitesse certaines matières de faible dureté mais contenant des composants abrasifs émoussent les

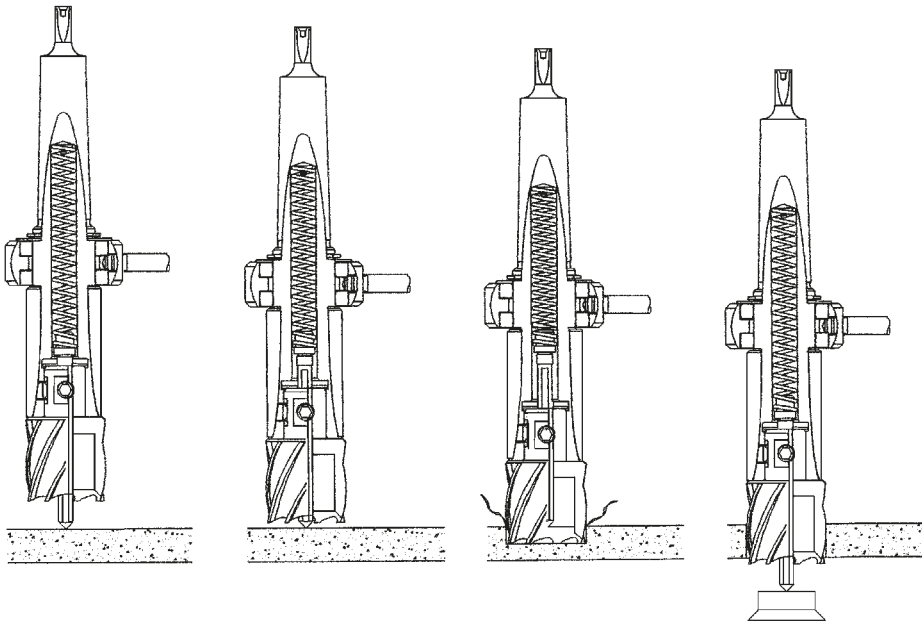
arêtes coupantes des outils. L'avance doit tenir compte de la rigidité de l'ensemble, du volume de matière à enlever, de l'état de surface désiré et de la puissance machine.

* Il est préférable de régler et maintenir une vitesse constante pour une même matière et faire varier l'avance dans les limites définies.

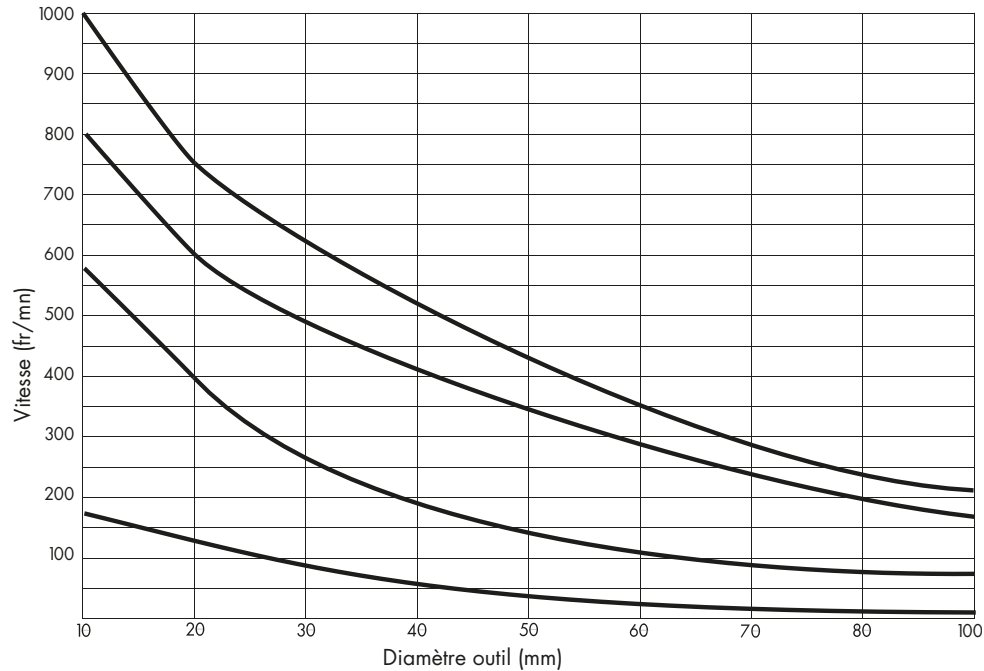
* L'avance de l'outil, en millimètres/mn ou en pouces/mn, est le produit de la vitesse par le nombre de dents de la fraise et l'avance par dent. Avec une avance trop faible ou trop importante l'outil est plus vite détérioré. Dans le cas de matière dure, l'avance trop grande écaille les arêtes de coupe tout en créant un échauffement exagéré.

* Les outils et porte outils longs et étroits ne supportent pas des avances importantes du fait de la flexion. Dans la mesure du possible utiliser les dimensions maximum en diamètre, ceci est important pour les matières dures. L'acier de 400 HB est la limite pour les outils conventionnels en M2 HSS. Au dessus de 300 HB, les alliages au cobalt sont recommandés pour augmenter la vie des outils. Pour l'acier moins dur l'alliage avec le cobalt peut améliorer les performances en augmentant vitesse et avance jusqu'à 50%.

FRANÇAIS



VITESSES DE COUPE. Vitesses suggérées en fonction du diamètre et de la matière



AVANCE DE L'OUTIL

MATIERE

AVANCE (mm/mn)

ALUMINIUM - 60

CUIVRE - 45

ACIER MI-DUR - 24

ACIER RAPIDE - 9

VEUILLEZ NOTER: Ces graphiques théoriques doivent servir de point de départ. Les performances réelles dépendent du type de matériau, de son épaisseur, et sa dureté ainsi que des conditions de coupe.

MISE EN GARDE! Lors de l'utilisation d'outils électriques, il faut toujours prendre des précautions de base en matière de sécurité afin de réduire les risques d'incendie, de choc électrique et de blessures, y compris les consignes suivantes.

Nous vous demandons de lire ces consignes avant de chercher à faire fonctionner cet appareil et de conserver ces consignes en lieu sûr.

FAMILIARISEZ-VOUS AVEC VOTRE OUTIL ÉLECTRIQUE
Vous devez lire et comprendre ce mode d'emploi ainsi que les étiquettes apposées sur cet outil. Vous devez en apprendre les applications et les limites ainsi que les dangers potentiels.

1. DÉBALLAGE ET ASSEMBLAGE

Retirez cet ensemble de son coffret de transport puis vissez les trois poignées dans le bossage central. Ces poignées doivent toujours être propres et sèches et exemptes d'huile et de graisse. Assemblez, fixez puis remplissez le bidon d'alimentation en huile, le cas échéant. Vous devez toujours examiner cet appareil avant de vous en servir. Vérifiez que les écrous, vis et autres éléments sont bien serrés avant chaque utilisation. Assurez-vous que le coulisseau se déplace librement et en douceur. Mettez en place la protection de sécurité (voir page 20).

VOUS DEVEZ TOUJOURS vous servir des poignées correctes pour soulever et déplacer cet appareil – **VOUS NE DEVEZ PAS** vous servir de câbles.

2. MISE À LA MASSE

Assurez-vous (le cas échéant) que les prises et conducteurs utilisés sont correctement mis à la masse et sont bien branchés. Vérifiez que le câble et la prise sont intacts.

3. MAINTENEZ LES PROTECTIONS EN POSITION (le cas échéant) – Ils doivent être en ordre de marche et être correctement réglés et alignés.

SÉCURITÉ ZONE DE TRAVAIL

La zone de travail doit toujours être propre et bien rangée. Les aires et établis désordonnés encouragent les accidents. Le plancher ne doit pas être glissant du fait de la présence d'huile ou de poussière.

4. ÉVITEZ LES ENVIRONNEMENTS DANGEREUX

Vous ne devez pas vous servir d'outils électriques en présence de liquides ou gaz inflammables ou dans des endroits humides ou mouillés ou les exposer à la pluie. La zone de travail doit toujours être bien éclairée. Prévoyez une zone adéquate tout autour de l'aire de travail.

5. SÉCURISEZ L'ATELIER

Utilisez des cadenas et des interrupteurs généraux et retirez les clés. Les visiteurs doivent se maintenir à une distance de sécurité de la zone de travail. En dehors des périodes d'utilisation, les outils doivent être conservés dans un lieu sec et fermé à clé.

PORTEZ DES VÊTEMENTS CORRECTS

6. Vous ne devez pas porter de vêtements lâches, de gants, de cravates ou de bijoux (bagues, montres) qui risquent de se coincer dans des pièces mécaniques. Nous recommandons le port de chaussures qui **NE RISQUENT PAS DE DÉRAPER**.

Si vous avez des cheveux longs, portez un filet de protection des cheveux. Repliez les manches longues au-dessus des coudes.

7. PORTEZ DES LUNETTES DE SÉCURITÉ.

(Protection de la tête)

Vous devez toujours porter des lunettes de sécurité. Les lunettes que l'on porte tous les jours ont des verres qui résistent aux impacts, mais **CE NE SONT PAS** des lunettes de sécurité. Vous devez également porter un masque de protection du visage ou un masque de protection contre la poussière si vous devez effectuer des interventions de perçage poussiéreuses. En cas

d'utilisation pendant de longues périodes, vous devez également porter une protection au niveau des oreilles.

RÉGLAGES

Examinez les câbles électriques. S'ils sont endommagés, vous devez toujours en confier la réparation à un service agréé d'entretien. Vous ne devez jamais tirer sur un câble pour le débrancher de la prise. Vous ne devez jamais vous servir de manière abusive du câble électrique. Vous ne devez jamais tirer dessus pour le débrancher de la prise. Maintenez le câble électrique à l'écart de toute source de chaleur, d'huile ou d'arêtes vives.

8. RETIREZ LES CLES ET AUTRES OUTILS DE RÉGLAGE

Prenez l'habitude de vous assurer que les clés de fermeture et les clés de réglages sont bien retirées de cet appareil avant de vous en servir.

9. SÉCURISEZ LA ZONE DE TRAVAIL. Vous devez sécuriser cet appareil à l'aide des sangles de sécurité avant d'effectuer un perçage. Utilisez, pour des raisons pratiques, des pinces de serrage ou un étai pour immobiliser la pièce à usiner.

FONCTIONNEMENT

Consultez le mode d'emploi spécifique de votre modèle ainsi que les consignes de perçage des pages 22 et 23.

10. NE FORCEZ PAS SUR CET OUTIL.

Vous obtiendrez de meilleurs résultats et une sécurité maximale en travaillant au rythme prévu lors de la conception.

11. UTILISEZ LE BON OUTIL.

Ne forcez pas sur cet outil ou l'un de ses accessoires pour effectuer une tâche pour laquelle il n'a pas été conçu. Vous ne devez jamais utiliser des forets émoussés ou endommagés.

12. NE VOUS PENCHEZ PAS TROP LOIN.

Maintenez toujours les deux pieds au sol et un équilibre parfait.

AUTRES POINTS À SIGNALER:

- Vous ne devez jamais laisser cet outil fonctionner sans opérateur présent. Vous devez couper le courant.
- Vous ne devez jamais vous éloigner de cet outil avant qu'il ne se soit complètement arrêté.
- Vous devez minimiser, dans la mesure du possible, la présence d'impuretés et de copeaux sur cet appareil et sur la pièce à usiner.
- Sur les machines pivotantes, assurez-vous que le socle pivotant est bien verrouillé à la position requise.
- Ne cherchez pas à modifier la vitesse pendant la rotation du foret.
- Vous ne devez pas modifier cet outil, de quelque manière que ce soit.

CÔNE MORSE (voir schémas page 7)

- Prenez soin que l'arbre soit bien engagé pour ne pas endommager le tenon .
- Le tenon sert uniquement à éjecter l'arbre et ne devrait pas faire passer des forces de rotation.
- Pour assurer le bon fonctionnement, le cône doit entrer librement dans l'alésage conique (fig. 1)
- Le cône et l'alésage doivent être propres, sans huile, sans copeaux. Il faut toujours les essuyer avant d'introduire le cône.
- Si les surfaces ne sont pas propres, (fig.2) la surface d'adhérence sera réduite et le cône risquera de tourner dans son alésage et provoquera la rupture du tenon.
- De même façon, l'usure ou la déformation de l'alésage (fig.3) réduiront la force d'adhérence et celui-ci devra être changé.
- L'arbre devrait être mis en place par un petit coup de marteau de tête douce pour assurer que le cône s'ajuste correctement dans l'alésage.

MESSAGE TRES IMPORTANT
NE JAMAIS UTILISER UNE PERCEUSE
A EMBASE MAGNETIQUE ET UN
POSTE DE SOUDURE SIMULTANEMENT
SUR LA MEME PIECE, POUR EVITER
D'ENDOMMAGER LES CIRCUITS.

MAINTENANCE

13. DÉBRANCHEZ LES OUTILS avant toute intervention d'entretien, lors du changement d'accessoires comme, par exemple, les forets, etc.

14. MAINTENEZ LES OUTILS BIEN AFFÛTÉS et propres afin d'obtenir des performances optimales et de minimiser les risques. Respectez les consignes de lubrification et de changement des accessoires.

15. UTILISEZ UNIQUEMENT LES ACCESSOIRES RECOMMANDÉS.

Respectez les consignes qui accompagnent ces accessoires. L'utilisation d'accessoires incorrects risque de provoquer des dangers.

16. VÉRIFIEZ QUE TOUS LES COMPOSANTS SONT INTACTS.

Avant chaque nouvelle utilisation de cet outil, si l'une des protections ou l'un des composants est endommagé, vous devez procéder à une vérification approfondie pour vous assurer que cette protection ou ce composant fonctionne correctement et est en mesure d'assurer la fonction prévue. Vérifiez l'alignement et la fixation des pièces mécaniques, l'absence de pièces cassées, le montage et toute autre condition qui risque d'affecter le fonctionnement. Si une protection ou un composant est endommagé, il faut le réparer correctement ou le remplacer et confier ce type d'intervention à un centre agréé d'entretien.

- De temps en temps, versez quelques gouttes d'huile sur la denture de la crémaillère.
- Les roulements de l'arbre d'alimentation sont du type autolubrifiant et il ne faut pas les graisser.
- Lubrifiez la surface coulissante du plateau avec de la graisse MOLYCOTE.
- En dehors des périodes d'utilisation ou pendant le transport, cet appareil doit rester dans le coffret fourni.

- Après chaque utilisation, assurez-vous que cet appareil est propre et ne contient pas de copeaux ou d'impuretés.

- Remplacez immédiatement les pièces usées ou endommagées et utilisez pour cela des pièces d'origine fournies par le constructeur et mises en place par un centre agréé d'entretien.

- Assurez-vous que tous les bords tranchants sont bien affûtés lors du fonctionnement. L'utilisation de forets émoussés risque de surcharger le moteur.

- Après chaque période d'utilisation de cette machine pendant 30 minutes, nous vous recommandons de placer cet appareil sur le flanc afin que de la graisse puisse couler sur tout le train d'engrenages.

- Au bout de plusieurs utilisations, le berceau risque de devenir lâche. Pour y remédier, il suffit d'ajuster les vis de tension qui se trouvent sur la partie latérale du bâti. Placez une clé hexagonale de 2,5 mm sur la tête de chaque écrou de retenue puis utilisez une clé de 8 mm pour faire tourner les écrous de verrouillage dans le sens antihoraire tout en maintenant en position la clé hexagonale, sans déplacer les vis sans tête.

Utilisez la clé hexagonale pour serrer en douceur les vis, l'une après l'autre, jusqu'à ce que le berceau circule librement sur le coulisseau mais il ne faut pas laisser le moteur trembler.

Lorsque ces réglages sont terminés, resserrez les écrous de verrouillage dans le sens horaire en vous assurant que les vis sans tête ne quittent pas leurs nouvelles positions.

MONTAGE DU CARTER PERCEUSE

S'assurer que la machine est isolée de l'alimentation électrique.

TYPE 1 - Le carter est fixé sur la perceuse au moyen d'une seule vis. Fixer le carter comme indiqué sur la fig. 1

NE PAS serrer trop fortement la vis, pour que le carter puisse se déplacer. Au perçage le carter doit être en contact avec la surface à percer et il reste en place au fur et à mesure que la perceuse descend.



Fig. 1

TYPE 2 - Le carter est fixé avec 2 vis situées de chaque côté du support de la perceuse. Fixer celui-ci comme indiqué sur la fig.2

Utiliser les vis et rondelles fournies. NE PAS trop serrer ces vis afin que le carter puisse se déplacer. Pendant le perçage, le carter doit toujours être en contact avec la surface de la pièce à percer. Il reste en place au fur et à mesure que la perceuse descend.



Fig. 2

(ARBRE STANDARD)

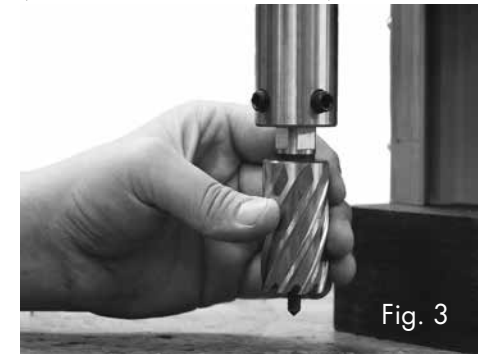


Fig. 3



Fig. 4

MONTAGE DE LA FRAISE (ARBRE QUICKHITCH)

S'ASSURER QUE LA MACHINE SOIT HORS TENSION

Mise en place du pilote (éjecteur)

- Le pilote a 2 fonctions: centrer l'outil, éjecter la débouchure quand le perçage est terminé. Il y a un plat sur le pilote pour permettre au lubrifiant de gagner le centre de la coupe où la chaleur dégagée est importante. Introduire le pilote dans le trou central de la fraise.

MONTAGE DE LA FRAISE

- **Avec un arbre standard**, la fraise est fixée avec 2 vis cuvette, qui doivent être alignées sur les 2 plats de la queue de fraise (fig.3) Entrer la queue de fraise dans l'alésage de l'arbre et serrer les vis avec la clé Allen de 5 de manière à immobiliser la fraise. (fig.4)

- Les machines montées avec le **Quikhitch** peuvent recevoir les fraises avec une queue de 19mm avec 1 plat ou plus. Pour monter une fraise la présenter sous le Quikhitch en tournant la bague jusqu'à son ressort (sens horaire) Fig.5, puis introduire la fraise à fond dans l'arbre et relâcher fig.6.

Tourner la fraise dans l'arbre pour s'assurer du bon engagement du plat de la queue de fraise dans le mécanisme de serrage, fig.7.

Pour terminer le serrage de la fraise tourner la bague dans le sens anti-horaire, fig.8.

Pour retirer la fraise tourner simplement la bague (sens horaire) contre le ressort et elle sera éjectée.



Fig. 5



Fig. 6

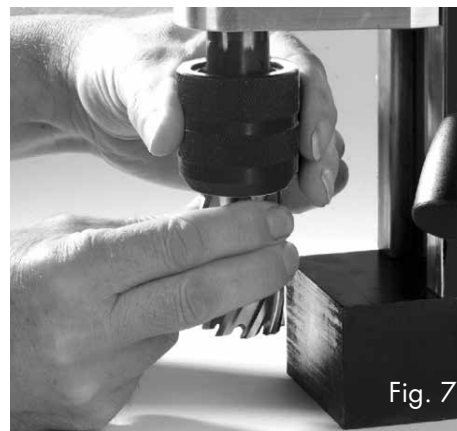


Fig. 7

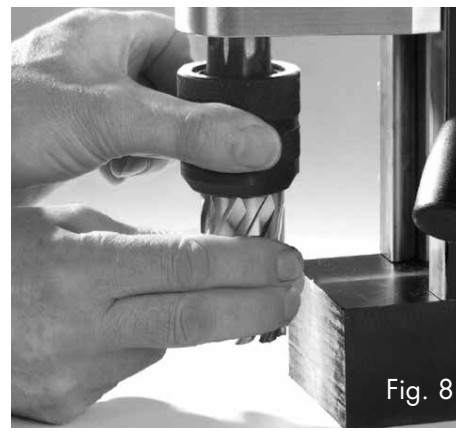


Fig. 8

NB. Courroies de sécurité et carters ne figurent pas sur les photos.

• Nos machines sont équipées de trois types de panneaux de commande, en fonction des caractéristiques techniques requises pour chaque appareil. Chaque appareil a une procédure légèrement différente de fonctionnement. De ce fait, l'utilisateur doit identifier le panneau qui équipe son appareil et se spécialiser avec l'utilisation des commandes. VOUS NE DEVEZ PAS VOUS SERVIR DE CET OUTIL SI L'INTERRUPTEUR N'EST PAS EN MESURE D'EN ASSURER LA MISE EN MARCHÉ OU L'ARRÊT.

NCP TABLEAU



- Brancher l'alimentation
- Pour CONNECTER LA MACHINE / ACTIVER L'EMBASE MAGNETIQUE, appuyer le bouton électrique rouge.
- DEMARRER LE MOTEUR – appuyer le bouton vert.
- POUR ARRÊTER LE MOTEUR, appuyer le bouton moteur rouge.

OPTION SENS ROTATION INVERSE

(NCP INVERSER TABLEAU SEULEMENT - non représentés)
Connecter la machine, activer l'embase magnétique comme précédemment

DEMARRER LE MOTEUR – appuyer le bouton vert
POUR PERCER SENS ROTATION INVERSE – remettre le bouton à levier à la position centrale, attendre que le moteur s'arrête, puis remettre le bouton à levier en option 'sens inverse' et le moteur repartira en sens inverse.

TABLEAU P

- Brancher l'alimentation et le LED rouge sur le panneau des commandes clignotera.
- Pour CONNECTER LA MACHINE, appuyer et relâcher le bouton rouge.
- Pour ACTIVER L'EMBASE MAGNETIQUE, appuyer et relâcher le bouton jaune, le LED jaune s'allumera



- DEMARRER LE MOTEUR en appuyant et relâchant le bouton vert et le LED vert s'allumera.
- POUR ARRÊTER LE MOTEUR, APPUYER ET RELÂCHER LE BOUTON VERT.

- Pour désactiver le magnétisme de l'embase appuyer et relâcher le bouton jaune. Il y a un délai de 3 secondes (bip sonore) avant que l'embase soit libérée.

DÉPART INCORRECT OU ARRÊT D'UNE SÉQUENCE:

- Un seul bip indique un déroulement correct d'une séquence. Un bip continu, indique une séquence incorrecte.
- Le perçage ou l'activation du magnétisme ne peuvent opérer tant que le bouton rouge n'est pas activé.
- Quand le bouton rouge est activé, le moteur ne démarrera pas si l'embase magnétique n'est pas activée.

- POUR CHANGER LE SENS DE ROTATION maintenir appuyé le bouton vert, attendre le bip, puis relâcher le bouton vert, le LED vert clignotera (le temps de pause est nécessaire pour assurer l'arrêt du moteur) et le moteur repartira en sens inverse.

- POUR ARRÊTER LE MOTEUR, appuyer et relâcher le bouton vert. Le LED vert indique :
ALLUME- perçage normal (sens horaire).
CLIGNOTANT- inverse (sens anti-horaire).

MM2 TABLEAU

- Branchez l'appareil sur la prise d'alimentation.

- Pour permettre l'exercice: Appuyez sur et relâchez le Bouton 'POWER'.

Appuyez sur et relâchez le Bouton «MAGNET».

- Pour percer avant: Appuyez sur et relâchez le Bouton de forage 'rapidement'.
- Pour arrêter: Appuyez sur et relâchez le Bouton de forage.

• ARRÊT D'URGENCE:

Appuyez sur n'importe quel bouton pour arrêter la perceuse.



DEMARRAGE DU PERCAGE

Pointer la position du trou

- S'assurer que la pièce soit propre et plate, puis positionner la machine, le pilote dans le centre du trou à percer.

FIXER LA COURROIE DE SECURITE.

ARROSAGE

- L'huile de coupe prolonge la vie des outils et facilite l'éjection des débouchures.
- Sur les machines équipées d'un système de lubrification, l'huile de coupe est envoyée directement sur la fraise lorsque le perçage commence.
- Sur les machines équipées d'un arbre avec lubrification interne, remplir le réservoir de l'arbre par les trous situés au sommet.
- Pour percer sur des surfaces verticales ou de bas en haut, il est recommandé d'utiliser des pâtes ou gels de coupe. Il est préférable de l'introduire dans la fraise avant perçage.
- Branchez l'appareil sur la prise de courant.

- **PUISSANCE DE L'APPAREIL**, voir le spécifique instructions pour le panneau de commande de la machine.

- **ACTIVER L'EMBASE MAGNETIQUE**

RECONTROLLER la bonne position du pilote car il peut arriver qu'en activant l'embase la machine se déplace légèrement du centre de perçage, repositionnez si nécessaire.

- Le magnétisme de l'embase agit avec tous les métaux ferreux d'épaisseur 6mm mini.

DEMARRAGE DU PERCAGE

- **TOUJOURS** abaisser le carter de sécurité.

- **DEMARRER LE MOTEUR**

- Amener doucement la fraise sur la surface de la pièce puis appuyer légèrement pour amorcer la coupe. Augmenter la pression jusqu'à la charge du moteur.
- Maintenir cette pression jusqu'à la fin de la coupe. Une pression trop élevée augmentera pas la vitesse de coupe, mais diminuera la vie de l'outil et peut endommager le moteur. Si les copeaux bleuissent, il est nécessaire d'augmenter la lubrification.

- **ARRETER LE MOTEUR**

- Si l'outil se bloque dans la pièce à usiner **ARRETER LE MOTEUR** et dégager l'outil de celle-ci avant de redémarrer.
- Quand la coupe est finie, la débouchure est éjectée. Sortir l'outil de la pièce et arrêter le moteur.

BRUIT ET VIBRATIONS

MESURES DU SON ET DE LA PRESSION DE LA PERCEUSE –
EN CONFORMITÉ AVEC LA NORME DIN EN 60745

UNITÉ MOTEUR	NIVEAU DE PRESSION ACOUSTIQUE	NIVEAU DE PUISSANCE SONORE	FACTEUR K NOISE	VIBRATION	VIBRATION FACTEUR K
UNI 1	83 dB (A)	96 dB (A)	3 dB(A)	1,67 m/s ²	1.5 m/s ²
UNI 2	84 dB (A)	97 dB (A)	3 dB(A)	1,95 ms/2	1.5 m/s ²
UNI 3	86 dB (A)	99 dB (A)	3 dB(A)	2,47 ms/2	1.5 m/s ²
UNI 4	86 dB (A)	99 dB (A)	3 dB(A)	2,47 ms/2	1.5 m/s ²
HITACHI D13	81.7 dB (A)	94 dB (A)	3 dB(A)	≤ 2.5 m/s ²	1.5 m/s ²
MAKITA DS4011	81 dB (A)	92 dB (A)	3 dB(A)	≤ 2.5 m/s ²	1.5 m/s ²
AEG B4-32	85 dB (A)	98 dB (A)	3 dB(A)	≤ 2.5 m/s ²	1.5 m/s ²
AEG KM1200	80 dB (A)	91 dB (A)	3 dB(A)	≤ 2.5 m/s ²	1.5 m/s ²
D5000 - HB500	84 dB (A)	97 dB (A)	3 dB(A)	1,95 ms/2	1.5 m/s ²
AIR MOTOR	87dB(A) at 6 bar	98 dB (A)	3 dB(A)	≤ 2.5 m/s ²	1.5 m/s ²

Nous recommandons à l'opérateur de porter une protection au niveau des oreilles.

La valeur totale déclarée de vibration a été mesurée en conformité avec une méthode d'essai standard et peut s'utiliser pour comparer deux outils. Cette valeur totale déclarée de vibration peut également servir lors d'une évaluation préliminaire de l'exposition.

Mise en garde : les vibrations émises lors d'une utilisation réelle de cet outil électrique peuvent être différentes de la valeur totale déclarée, en fonction des modes d'utilisation de cet outil.

CERTIFICAT DE GARANTIE

Cette machine est garantie pour les éléments défectueux pour une période de 12 mois après la date d'achat aux conditions suivantes:

1. Carte de garantie complétée et retournée à l'adresse ci-dessous dans les 10 jours suivant la date de l'achat.

2. Les éléments doivent être reconnus défectueux suite à une faute de fabrication et non par une mauvaise utilisation, chute, ou voltage autre que celui spécifié sur la machine.

3. La garantie ne s'applique pas pour des réparations effectuées par des personnes non autorisées, et aux défauts résultant de chocs ou usure.

4. Nous nous réservons le droit de facturer la main d'oeuvre et les frais de transport de retour de la machine.

5. Les machines pour réparation sous garantie doivent être retournés au distributeur

6. Si vous devez retourner la machine pour réparation, veuillez bien utiliser l'emballage

d'origine.

7. Nous dégageons notre responsabilité en cas de dommages ou perte de la machine pendant le transport.

8. Veuillez bien indiquer la date d'achat sur la carte de garantie.

9. Prenez en compte ces recommandations et conditions qui seront étudiées en cas de réclamations sous garantie.

CETTE GARANTIE NE REMETENT PAS EN CAUSE VOS DROITS STATUTAIRES.

REEMPLIR ET RETOURNER CETTE CARTE MAINTENANT.

S'IL VOUS PLAÎT POSTER IMMÉDIATEMENT

Veuillez enregistrer ma perceuse magnétique pour bénéficier de la garantie.

J'accepte les conditions figurant sur l'enregistrement de la garantie.

(1) Date d'achat

(2) Modèle et N° (3) N° Série

(4) Nom du Client

adresse

.....

(5) Nom du Distributeur

adresse

.....

.....

UNIVERSAL DRILLING & CUTTING EQUIPMENT LTD.

(UK)

43 Catley Road, Sheffield S9 5JF
Royaume-Uni.

(Europe)

Dalweg 1 (Pinnepot II) 3233 KK
Oostvoorne. Pays-Bas

(USA)

974 North DuPage Ave. Lombard IL.
60148 USA

Um Sie dazu zu befähigen, die bestmögliche Leistung aus Ihrer neuen Magnetbohrmaschine herauszuholen, enthalten diese Richtlinien einfache, vernünftige Hinweise zum sicheren, wirksamen und ständigen Gebrauch des Geräts. **LESEN SIE SIE ALSO VOR DER ARBEIT MIT DEM BOHRER SORGFÄLTIG.**

• **BEACHTEN** Sie alle allgemeinen und spezifischen Sicherheitshinweise.

Das Kernbohrkonzept	27
Werkstoff und Schnittgeschwindigkeiten	28
Vorschub und Geschwindigkeiten	29
Sicherheits und Wartungsanleitung	30
Montage der Schutzvorrichtung	32
Montage des Kernbohrers	33
Bedienungs Schalteinheiten	34
Anbohren	35
Lärm und Vibrationen	35
Garantieantrag	36

Erläuterung der Piktogramme auf dem Typenschild



BITTE LESEN SIE DIESE WICHTIGEN HINWEISE vor dem Einsatz der Maschine.



GEFAHR! Dies weist auf eine bevorstehende Gefahr oder ein Risiko allgemeiner Natur für Leben und Gesundheit hin.




GEFAHR DURCH ELEKTRIZITÄT! Dies weist auf eine direkte Lebensgefahr oder ein direktes Risiko durch Elektrizität hin.



SCHUTZBRILLE UND GEHÖRSCHUTZ TRAGEN



SICHERHEITSGURT VERWENDEN! Zum Befestigen des Geräts am Werkstück.



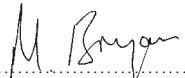
EU-Konformitätserklärung
Zeugnis Nr. EC/MT

Wir bescheinigen hiermit, dass die unten genannte Maschine:

1. TYP: ELEKTROMAGNETISCHE BOHRMASCHINE
2. MODELL-Nr: *SIEHE DATENPLATTE DER MASCHINE*
3. SERIEN-Nr: *SIEHE DATENPLATTE DER MASCHINE*
den Anforderungen der folgenden Europäischen Richtlinie genügt:

2014/30 / EU
2006/42/EC
2011/65/EU

EN61029-1:2009+A1:2010,
und der wesentlichen Anforderungen über Sicherheit & Gesundheit konzipiert wurde.

Unterschrift..... 

M.T. Bryan (Direktor)

UNIVERSAL DRILLING & CUTTING EQUIPMENT LTD.
43 Catley Rd. Sheffield S9 5JF, Großbritannien.
30. Januar 2016

DEUTSCH



RECYCLING

Werfen Sie Elektrowerkzeuge nicht in den Hausmüll.

Gemäss Europäischer Richtlinie 2002/96/EG über Elektro- und Elektronik- Altgeräte und Umsetzung in nationales Recht müssen verbrauchte Elektrowerkzeuge getrennt gesammelt und einer umweltgerechten Wiederverwertung zugeführt werden.

WEEE Bescheinigungsnummer:-
WEE/EH0103WV

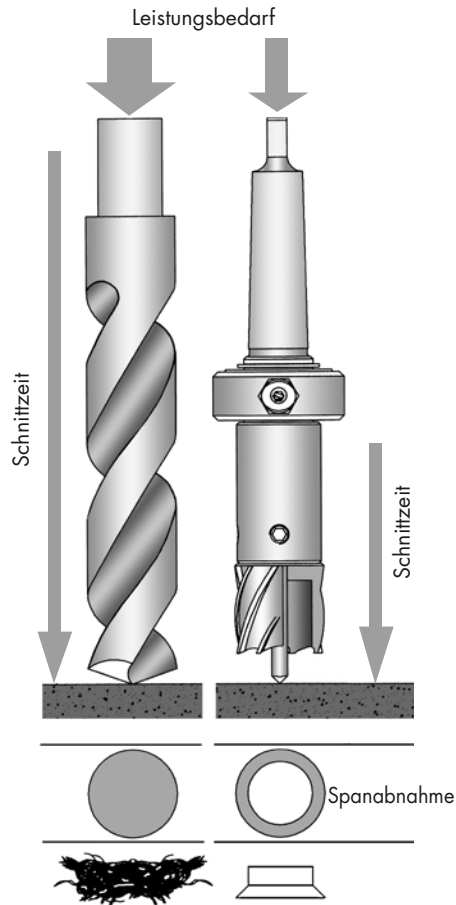
Alle magnetische Bohrsysteme sind den ROHS Vorschriften gemäß.

DAS KERNSBOHRKONZEPT

Wenn Sie nicht mit Kernbohrern vertraut sind, sollten Sie der Lektüre dieser Richtlinien ein paar Minuten widmen – wenn Sie das Konzept verstehen, können Sie aus der besseren Leistung und längeren Lebensdauer des Werkzeugs Nutzen ziehen.

Kernbohrer machen nicht das ganze Loch zu Spänen, sondern zerspanen nur Material am Umfang des Loches. Aus diesem Grund brauchen sie beim Bohren des Loches weniger Zeit und Energie als ein herkömmlicher Spiralbohrer.

Die Bohrleistung der Maschine ist daher höher als die Spiralbohrerleistung. Außerdem hat der nach dem Schnitt ausgestoßene Metallklumpen einen höheren Schrottwert als Späne.



WERKSTOFF UND SCHNITTGESCHWINDIGKEITEN

- Wie leicht sich der Werkstoff bohren lässt, hängt von mehreren Faktoren ab, u.a. von seiner Zug- und Verschleißfestigkeit. Während Härte und/oder Festigkeit das normale Kriterium bilden, können Werkstoffe mit ähnlichen physikalischen Eigenschaften dennoch große Unterschiede in der Bearbeitbarkeit aufweisen.
- Die Schnittbedingungen können von Anforderungen bezüglich der Lebensdauer des Werkzeugs und der Oberflächenqualität bestimmt

werden. Weitere Einschränkungen ergeben sich aus der Starrheit des Werkzeugs und des Werkstücks, aus der Schmierung und aus der verfügbaren Maschinenleistung.

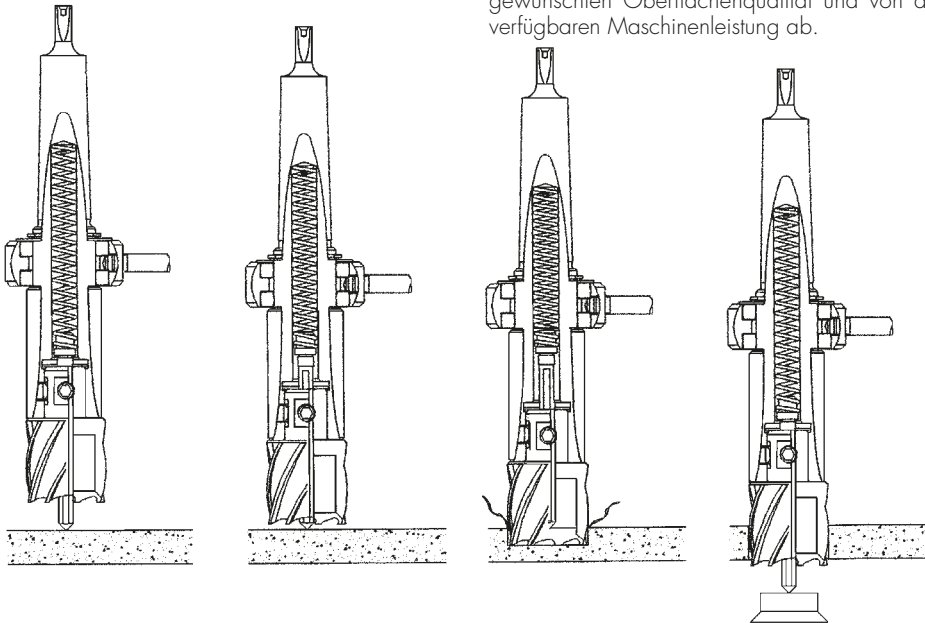
- Je härter der Werkstoff, desto niedriger ist die Schnittgeschwindigkeit. Gewisse weichere Werkstoffe enthalten scheuernde Bestandteile, die bei hohen Geschwindigkeiten zum raschen Verschleiß der Schneidkante führen. Die Vorschubgeschwindigkeit hängt von der Starrheit der Aufspannung, vom Spanvolumen, von der gewünschten Oberflächenqualität und von der verfügbaren Maschinenleistung ab.

- Vorzugsweise wird für den gegebenen Werkstoff eine konstante Umfangsgeschwindigkeit (Drehzahl) eingestellt und erhalten und die Vorschubgeschwindigkeit innerhalb bestimmter Grenzen variiert. Bei bestimmten Materialien (z. B. Hardox) ist ein konstanter, ununterbrochen Vorschub notwendig, wegen den selbst härtenden Bestandteilen im zu Bohrenden Material.

- Der Vorschub wird in Zoll oder Millimeter pro Minute gemessen und ist das Produkt von Drehzahl x Zähnezahl x Vorschub je Zahn. Zu leichter Vorschub und unzulässig hohe Vorschubgeschwindigkeiten führen zu vorzeitigem Ausfall des Kernbohrers. Schwerer Vorschub bei harten Werkstoffen führt zum Ausbrechen der Schneidkante und zu unzulässiger Wärmeentwicklung.

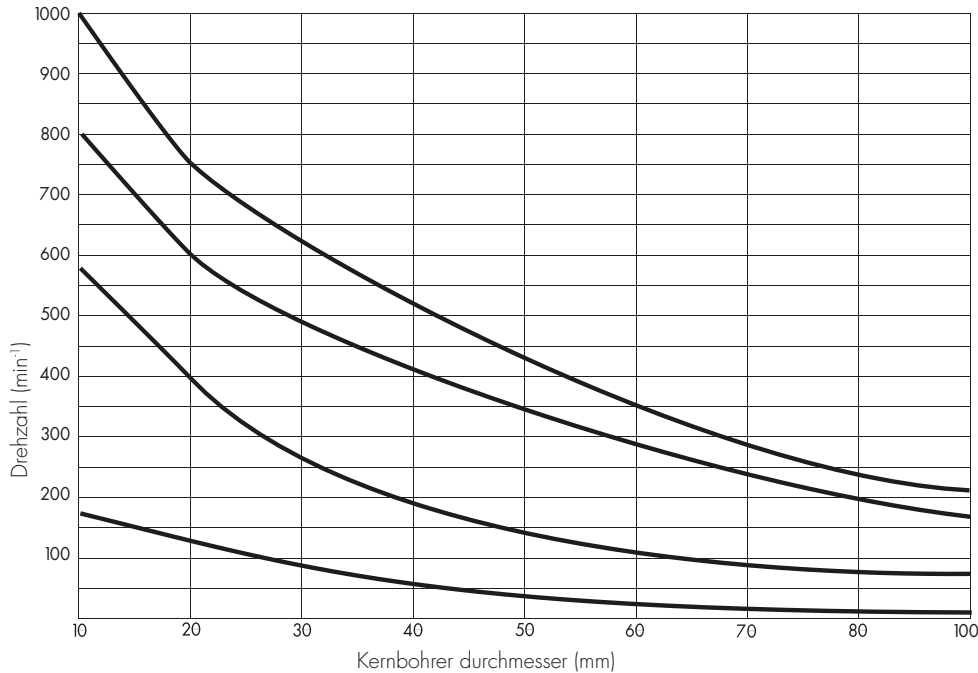
- Bei schlanken Kernbohrern mit langem Schaft wird die Vorschubgeschwindigkeit von der Gefahr der Durchbiegung eingeschränkt, und nach Möglichkeit ist das größte und robusteste Werkzeug zu benutzen. Das ist bei härteren Werkstoffen besonders wichtig. Stahl bis zu 400 HB ist die potentielle Grenze für herkömmliche M2 HSS Werkzeuge.

Über 300 HB sind im Interesse der längeren Werkzeuglebensdauer Kernbohrer aus Kobaltlegierungen in Erwägung zu ziehen. Bei weicheren Werkstoffen können Kobaltlegierungen die Produktionsleistung durch höhere Schnitt- und Vorschubgeschwindigkeiten um bis zu 50% steigern. Kernbohrer aus Wolframkarbid können Umfangs- und Vorschubgeschwindigkeiten bis auf das Doppelte des bei Standardbohrern möglichen Werts erhöhen.



VORSCHUB UND GESCHWINDIGKEITEN

SCHNITTGESCHWINDIGKEITEN - empfohlene Drehzahlen für verschiedene Kernbohrergrößen/Werkstoffe



VORSCHUBGESCHWINDIGKEIT
DES WERKZEUGS

WERKSTOFF

Vorschubgeschwindigkeit (mm/min)

ALUMINIUM - 60

MESSING - 45

STAHL - 24

HOCHFESTER STAHL - 9

ZUR BEACHTUNG: Die oben angegebenen Werte sind Anfangswerte. Die tatsächliche Leistung hängt von der Beschaffenheit, Dicke und Härte des Werkstoffs, von der Anwendung und vom Zustand des Kernbohrers ab.

ACHTUNG, WICHTIGER HINWEIS!

Beim Einsatz von Elektrogeräten sollten stets grundlegende Sicherheitsvorkehrungen, einschließlich der folgenden Hinweise beachtet werden, um die Gefahr von Brandausbrüchen, Elektroschocks und Körperverletzungen zu vermeiden.

Bitte lesen Sie diese Anweisungen aufmerksam, bevor Sie versuchen, dieses Gerät zu bedienen, und bewahren Sie diese Hinweise an einem sicheren Ort für spätere Zwecke auf.

MACHEN SIE SICH MIT IHRER MASCHINE VERTRAUT

Der Benutzer sollte das Bedienerhandbuch und die an der Maschine angebrachten Etiketten zunächst aufmerksam lesen und verstehen. Machen Sie sich mit deren Anwendung und Einschränkungen sowie den möglichen Gefahren vertraut.

1. ENTFERNEN DER VERPACKUNG & MONTAGE

Nehmen Sie die Einheit aus dem Tragekoffer und schrauben Sie die drei Griffe in die zentrale Nabe. Achten Sie darauf, dass die Griffe trocken, sauber und frei von Öl und Schmiere bleiben. Dann die Öleinlaufflasche zusammensetzen, befestigen und füllen (falls anwendbar). Prüfen Sie die gesamte Einheit stets vor deren Einsatz; prüfen Sie vor jedem Einsatz der Maschine, ob Schrauben, Muttern usw. fest angezogen sind. Stellen Sie sicher, dass der Schieber ungehindert und glatt läuft. Befestigen Sie die Schutzvorrichtung (siehe Seite 32).

IMMER die richtigen Griffe – NICHT die Kabel – zum Heben und Bewegen der Maschine verwenden.

2. ERDUNG (Sofern relevant) sicherstellen, dass geeignete Erdungskabel und Stecker verwendet werden und korrekt angeschlossen sind. Kabel und Stecker auf Beschädigungen prüfen.

3. SICHERHEITSVORRICHTUNGEN BEIBEHALTEN (sofern benötigt); diese müssen funktionstüchtig und korrekt angepasst und ausgerichtet sein.

SICHERHEIT ARBEITSBEREICH

Den Arbeitsbereich stets sauber und in Ordnung halten; unordentliche und zu volle Arbeitsbereiche und Werkbänke bergen das Risiko von Unfällen. Auf den Böden ist jegliche Rutschgefahr durch Öl oder Staub zu vermeiden.

4. GEFAHRENUMGEBUNGEN VERMEIDEN

Verwenden Sie niemals Elektrowerkzeuge in der Nähe von brennbaren Flüssigkeiten oder Gasen, in feuchten oder nassen Bereichen, und schützen Sie Ihr Gerät vor Regen. Der Arbeitsbereich muss gut beleuchtet sein. Auch rund um Ihren Arbeitsplatz sollten Sie genügend Platz haben.

5. ACHTEN SIE AUF DIE SICHERHEIT IN IHRER WERKSTATT

Verwenden Sie Vorhängeschlösser, Hauptschalter und ziehen Sie Schlüssel ab. Besucher sollten stets einen sicheren Abstand vom Arbeitsbereich halten. Maschinen und Geräte, die nicht in Gebrauch sind, sollten an einem trockenen Ort verschlossen aufbewahrt werden.

STETS GEEIGNETE KLEIDUNG TRAGEN

6. Vermeiden Sie weite Kleidung, Handschuhe, Krawatten und Halstücher oder Schmuck (Ringe, Armbanduhren), die von beweglichen Teilen erfasst werden könnten.

RUTSCHFESTES SCHUHWERK ist zu empfehlen.

Tragen Sie eine schützende Haarbedeckung (Haarnetz), um langes Haar zusammenzuhalten. Lange Ärmel bis über den Ellbogen hochkrempeln.

7. SCHUTZBRILLE TRAGEN (Kopfschutz)

Der Benutzer sollte jederzeit eine den Sicherheitsnormen entsprechende Schutzbrille tragen.

Eine normale Brille schützt lediglich vor Aufprall; sie ist KEINE Sicherheitsschutzbrille. Bei Arbeiten mit Staubentwicklung sollten Sie auch eine Gesichts- oder Staubmaske tragen, und bei längeren Zeiten der Bedienung sollten Sie einen Gehörschutz tragen.

AUFBAU

Kabel prüfen, und im Falle von Beschädigungen in jedem Fall von einer zugelassenen Servicewerkstatt reparieren lassen. Das Kabel nicht missbrauchen bzw. unsachgemäß verwenden; niemals am Kabel reißen, um es aus der Steckdose zu ziehen. Das Kabel vor übermäßiger Wärme, Öl und scharfen Kanten schützen.

8. EINSTELLSCHLÜSSEL & SCHRAUBENSCHLÜSSEL VOM GERÄT ENTFERNEN.

Machen Sie es sich zur Gewohnheit, dass sämtliche Schrauben- oder Einstellschlüssel vor dem Einsatz der Maschine von ihr entfernt sind.

9. MASCHINE SICHERN: Sichern Sie die Einheit vor Beginn der Arbeit mit dem Sicherheitsgurt. Verwenden Sie Klemmen oder einen Schraubstock, um das Werkstück, wenn nötig, zu halten.

BEDIENUNG

Siehe modellspezifische Anweisungen und die Anleitung im Abschnitt, ANBOHREN (S. 34 – 35).

10. DAS GERÄT NICHT ÜBERBEANSPRUCHEN

Die Maschine arbeitet besser und sicherer mit der Geschwindigkeit, für die sie konzipiert ist.

11. DAS RICHTIGE WERKZEUG VERWENDEN

Die Maschine oder einen Einsatz nicht für eine Arbeit, für die diese(r) nicht bestimmt ist, überbeanspruchen. Niemals stumpfe oder beschädigte Einsätze verwenden.

12. NICHT ZU WEIT REICHEN

Behalten Sie zu jeder Zeit festen Bodenkontakt mit den Füßen und behalten Sie das Gleichgewicht.

SONSTIGE HINWEISE:

- Die Maschine niemals unbeaufsichtigt laufen lassen; stets ausschalten.
- Die Maschine niemals solange im Einsatz halten, bis zu vollkommen aufgibt.
- Die Einheit und das Werkstück möglichst frei von Schmutz und Spänen halten.
- Bei Schwenkmaschinen

sicherstellen, dass der Schwenksockel in der erforderlichen Position arretiert ist. • Nicht versuchen, auf eine andere Geschwindigkeit umzustellen, während die Maschine läuft • Die Maschine niemals auf irgendeine Weise modifizieren.

MORSEKONUS KERNSBOHRAUFNAHMEN

- Vorsicht beim Anbringen der Morsekonus Kernbohraufnahme, um Austreiblappen beschädigungen zu vermeiden.
 - Der Austreiblappen dient ausschließlich zum Auswerfen der Aufnahme und sollte keine Drehkraft weiter leiten.
 - Für maximale Leistungsfähigkeit sollte der Konus gut in den Konushalter passen (siehe Fig. 1 auf Seite 7)
 - Der Konus und Konus halter müssen frei von Öl, Schmutz und Späne sein und sollten immer mit einem Tuch abgewischt werden bevor der Konus in den Konushalter eingeführt wird
 - Wenn Schmutz, Späne oder Öl zwischen dem Konus und Konushalter vorhanden sind (siehe Fig. 2 auf Seite 7), wird die Reibungsfläche, die den Rotationsantrieb weitergibt, wesentlich verringert, was zu der Verdrehung oder zu dem Zerbrechen des Austreiblappen führen könnte.
 - Auf ähnliche Weise werden Verschleißerscheinungen oder Schäden an dem Konus (siehe Fig. 3 auf Seite 7) die Leistungsfähigkeit verringern. In diesem Fall sollte der Konus und/oder Konushalter ersetzt werden.
- Die MK-Kernbohraufnahme sollte mit einem weichen Hammerkopf angeklopft werden damit der Konus sich mit einer guten Passung richtig in den Konushalter setzt.

WICHTIGE MITTEILUNG, BENUTZEN SIE NIE

ELEKTROMAGNETISCHE
KERNSBOHRSTÄNDER UND
SCHWEIßAPPARATUR GLEICHZEITIG AM
GLEICHEN WERKSTÜCK, UM SCHADEN
AN DER ELEKTRONIK ZU VORKOMMEN.

WARTUNG

13. MASCHINE vor der Wartung und dem Wechseln von Zusatzteilen, wie Bohreinsätzen, stets VOM STROMNETZ TRENNEN;

14. Stets darauf achten, dass die Werkzeuge scharf und sauber sind, um einen optimalen und sicheren Betrieb der Maschine zu gewährleisten. Befolgen Sie die Anweisungen zum Fetten und zum Wechseln von Zusatzteilen.

15. NUR DIE EMPFOHLENE ZUSATZTEILE VERWENDEN. Befolgen Sie die entsprechenden Anweisungen für jegliche Zusatzteile. Die Verwendung ungeeigneter Zusatzteile kann Gefahren verursachen.

16. AUF BESCHÄDIGTE TEILE ÜBERPRÜFEN

Vor dem weiteren Einsatz der Maschine sollte eine Schutzvorrichtung oder jedes andere Teil der Maschine, das beschädigt ist, sorgfältig überprüft werden, um sicherzustellen, dass es ordnungsgemäß funktionstüchtig ist und seinen vorgesehenen Zweck erfüllt. Sicherstellen, dass bewegliche Teile korrekt ausgerichtet sind; prüfen Sie die Bindung der beweglichen Teile, Bruchstellen von Teilen, Befestigungen und alle anderen Zustände, die die Funktion der Maschine beeinträchtigen können. Eine Schutzvorrichtung oder jedes andere Teil, das beschädigt ist, sollte von einem autorisierten Servicezentrum ordnungsgemäß repariert oder ersetzt werden.

- Gelegentlich ein paar Tropfen Öl auf die Stangenverzahnung auftragen.
- Die Lager des Einfüllschachts sind selbstfettend und müssen nicht geschmiert werden;
- Die Gleitfläche des Wagens mit MOLYCOTE schmieren.

• Wenn die Maschine nicht in Gebrauch ist, oder beim Transport sollte sie in dem dazugehörigen Koffer aufbewahrt werden.

• Nach Gebrauch sicherstellen, dass die Maschine frei Schmutz und Spänen ist.

• Abgenutzte oder beschädigte Teile sollten sofort von einer autorisierten Servicewerkstatt durch echte Ersatzteile des Herstellers ersetzt werden;

• Sicherstellen, dass alle Schneidkanten scharf sind, wenn die Maschine in Betrieb ist. Die Verwendung stumpfer Schneidwerkzeuge kann zu einer Motorüberlastung führen.

• Nach jeden 30 Minuten Einsatz ist es zu empfehlen, die Maschine auf ihre Seite zu legen, damit Schmiermittel über das Räderwerk laufen kann.

• Nach wiederholtem Einsatz kann sich die Halterung lockern. Dies kann durch Einstellung der Spannschrauben an der Seite des Körpers behoben werden. Stecken Sie einen 2,5 mm-Sechskantschlüssel in den Kopf der Haltermuttern der Halterung, während Sie gleichzeitig mit einem 8 mm-Schraubenschlüssel die Feststellmutter entgegen den Uhrzeigersinn drehen, wobei Sie den Sechskantschlüssel halten, ohne die Gewindestifte zu bewegen.

Die Schrauben sanft mit dem Sechskantschlüssel in Serien anziehen, bis sich die Halterung frei in der Gleitschiene bewegt, aber den Motor nicht zum Wackeln bringt.

Wenn dieser Vorgang beendet ist, dann ziehen Sie die Feststellschrauben wieder im Uhrzeigersinn an, wobei Sie sicherstellen, dass sich die Gewindestifte nicht von ihren neuen Positionen bewegen.

ANWEISUNGEN FÜR BOHRERSCHUTZ

Trennen Sie den Bohrer von der Stromversorgung.

TYP 1 – Bei dieser Ausführung wird die Schutzvorrichtung mit einer Schraube am Bohrer befestigt.

Schutzvorrichtung wie in Bild 1 gezeigt am Bohrer anbringen.

Schutzvorrichtung mit der mitgelieferten Schraube am Bohrer befestigen. Befestigungsschraube NICHT zu fest anziehen – sie muss so locker sein, dass die Schutzvorrichtung im Bedarfsfall hochfahren kann. Schutzvorrichtung auf die Bohrfläche herunterlassen. Beim Bohren muss die Schutzvorrichtung immer die Bohrfläche berühren. Während der Bohrer herunter geht, fährt die Schutzvorrichtung im Verhältnis zum Bohrer hoch.



Bild 1

TYP 2 – Bei dieser Ausführung wird die Schutzvorrichtung auf beiden Seiten des Bohrers von je einer Schraube festgehalten. Die Kunststoffführungen der Schutzvorrichtung werden ggf. in die Aufnahmelöcher auf beiden Seiten der Motorwiege gedrückt.

Schutzvorrichtung wie in Bild 2 gezeigt am Bohrer anbringen.

Schutzvorrichtung mit den mitgelieferten Schrauben und Scheiben befestigen. Befestigungsschrauben NICHT zu fest anziehen – sie müssen so locker sein, dass die Schutzvorrichtung im Bedarfsfall hochfahren kann. Schutzvorrichtung auf die Bohrfläche herunterlassen.

Beim Bohren muss die Schutzvorrichtung immer die Bohrfläche berühren. Während der Bohrer herunter geht, fährt die Schutzvorrichtung im Verhältnis zum Bohrer hoch.



Bild 2

STANDARD AUFNAHME



Bild 3



Bild 4

MONTAGE DES KERNBOHRERS (QUICKHITCH AUFNAHME)

STELLEN SIE VOR DER ARBEIT AN DER MASCHINE SICHER, DASS DER STROM AUSGESCHALTET IST.

Einführen des Auswerferstift

- Der Auswerferstift dient zum Zentrieren des Kernbohrers und zum Ausstoßen des Metallklumpens nach dem Schnitt. An der Abflachung kann das Kühlmittel zur Mitte des Loches herunter laufen, wo die höchste Temperatur zu erwarten ist. Stift durch das Loch in der Mitte des Bohrerschafes schieben.

MONTAGE DES KERNBOHRERS

- Beim **Standardaufnahmen** wird der Kernbohrer mit zwei Madenschrauben im Dorn befestigt. Der Bohrerschaft hat zwei Abflachungen, die nach den Madenschrauben in Aufnahme ausgerichtet werden müssen (Bild 3). Bohrerschaft in den Aufnahme stecken. Die Madenschrauben müssen (mit dem mitgelieferten 5-mm-Innensechskantschlüssel) gleichmäßig angezogen werden, damit sich der Kernbohrer nicht bewegen kann (Bild 4).

- Maschinen mit **Quickhitch™ Aufnahme** nehmen alle Kernbohrer mit einem Schaft mit 19 mm Durchmesser und ein oder mehreren Abflachungen auf.

Kernbohrer zur Montage unter dem Quickhitch™ ausrichten und Aufnahmhülse gegen Federdruck nach rechts drehen und halten – Bild 5. Schaft des Kernbohrers in den Aufnahme stecken und einschieben und Hülse loslassen – Bild 6.

Kernbohrer im Aufnahme verdrehen, bis die Abflachung mit dem Verriegelungsmechanismus im Eingriff ist – Bild 7.

Hülse zur vollständigen Verriegelung ganz nach links drehen – Bild 8.

Zum Abnehmen des Kernbohrers die Hülse einfach gegen Federdruck nach rechts drehen, und der Kernbohrer wird ausgestoßen.



Bild 5



Bild 7



Bild 6

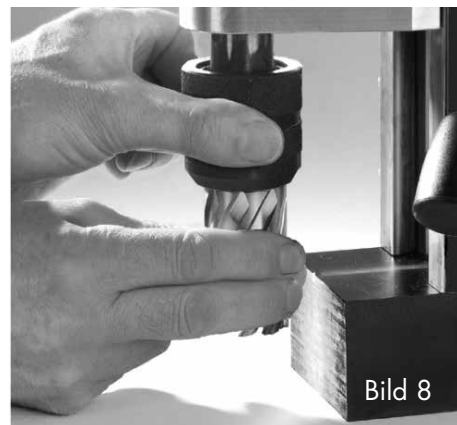


Bild 8

Zur Beachtung: Im Bild ist die Maschine ohne Sicherheitsspannband und Schutzvorrichtung gezeigt.

• Unsere Maschinen sind mit drei verschiedenen Arten von Schalttafeln je nach den technischen Anforderungen der Einheit versehen. Jede der Schalttafeln hat eine leicht unterschiedliche Vorgehensweise der Bedienung, sodass der Benutzer zunächst identifizieren sollte, mit welcher Tafel die Maschine versehen ist und sich entsprechend mit der Bedienung der Steuerungen vertraut machen sollte.

DIE MASCHINE NICHT BENUTZEN, WENN DER SCHALTER SIE NICHT EIN- UND AUSSCHALTET.

NCP PANEL



- Maschinene kabel in die Steckdose stecken.
- **Zum EINSCHALTEN DES MAGNETS** den roten Schalter umschalten. Den Lämpchen in der Schalter leuchtet auf.
- ANBOHREN**
- Schutzvorrichtung IMMER herunterlassen.
- **ZUM STARTEN DES**

MOTORS den grünen motorknopf drücken.

- **ZUM ABSTELLEN DES MOTORS** den roten motor-knopf drücken

UMSTEUEROPTION

(NCP Wendepalte - nur nicht gezeigt)

- Magnet und Motor wie zuvor beschrieben einschalten

- **ZUM RÜCKWÄRTSBOHREN** den Kippschalter in die Mittelstellung bewegen, abwarten bis der Motor völlig stillsteht und erst dann den Kippschalter in die "REVERSE" - stellung bewegen – der Motor wird in Rückwärtsrichtung starten.

MM2 PANEL



- Maschinene kabel in die Steckdose stecken.
- Um den Bohrer zu aktivieren: Drücken Sie die "POWER"-Taste.
- Drücken Sie die "Magnet"-Taste.
- Um vorwärts zu bohren: Drücken und lassen schnell die "Bohrer"-Taste.
- Um Stop: Drücken Sie die "Bohrer"-Taste.

• NOTHALT:

Das Drücken jedes Knopfs wird die Bohrmaschine aufhören.

PANEL P



- Maschinene kabel in die Steckdose stecken. Die rote LED auf der elektronischen Bedienelement blinkt.
- Zum EINSCHALTEN DER MASCHINE den roten Knopf drücken und loslassen.
- Zum EINSCHALTEN DES MAGNETS den gelben Knopf drücken und loslassen - die gelbe LED leuchtet auf.
- Zum STARTEN DES MOTORS den grünen Knopf drücken und loslassen – die grüne LED leuchtet auf.
- **ZUM ABSTELLEN DES MOTORS DEN GRÜNEN KNOPF DRÜCKEN & LOSLASSEN.**
- Zum Ausschalten des Magnets den gelben Knopf drücken und loslassen – der Magnet wird nicht sofort, sondern erst nach einer Verzögerung von 3 Sekunden unter einem stetigen Piepton ausgeschaltet.

Falsche Einschalt- oder Abstellfolge:

- Bei allen Arbeitsschritten, die in der richtigen Reihenfolge ausgeführt werden, ist ein einzelner Piepton zu hören. Bei falscher Arbeitsfolge ist ein stetiges Piepen zu hören.

MASCHINEN MIT DER ALS SONDERAUSSTATTUNG LIEFERBAREN BOHRUMSTEUERUNG (Links/Rechts Lauf) für Gewindebohrer, werden wie unten beschrieben betätigt.

- * **ZUM RÜCKWÄRTSBOHREN** den grünen Knopf drücken und halten, auf den Signalton warten und Knopf loslassen – die grüne LED blinkt (durch die Pause wird der Stillstand des Motors gewährleistet), und der Motor startet im Rückwärtsgang.

- * **ZUM ABSTELLEN DES MOTORS** den grünen Knopf drücken und loslassen.

Die grüne LED zeigt Folgendes an:

EIN – Bohren in Vorwärtsrichtung

BLINKEN – Bohren in Rückwärtsrichtung

Lochposition markieren mit einer Reissnadel

- Sicherstellen, dass das Werkstück sauber und eben ist, und Führung der Maschine über die Mitte des zu bohrenden Loches bringen.

SICHERHEITSSPANNBAND ANBRINGEN.

KÜHLMITTELVERSORGUNG

- Schneidöl verlängert die Lebensdauer des Kernbohrers und ermöglicht das saubere Ausstoßen des Metallklumpens.
- Bei Maschinen mit Kühlanlage wird der Kernbohrer automatisch mit Öl versorgt, sobald der Schnitt beginnt.
- Bei Maschinen mit manuelle Innenschmierung wird der Behälter durch die kleinen Öffnungen oben im Aufnahme gefüllt.
- Beim Bohren in senkrechten Flächen oder Überkopfarbeiten wird Schneidpaste, Gel oder Schaum empfohlen. Das Mittel wird vorzugsweise vor dem Bohren innen aufgetragen.
- Maschineneckabel in die Steckdose stecken.

- **EINSCHALTEN DER MASCHINE** finden Sie im entsprechenden Anweisungen für das Bedienfeld.

• EINSCHALTEN DES MAGNETS

NACHKONTROLLIEREN, ob die Auswerferstift noch am Loch zentriert ist. Beim Einschalten des Magnets kann sich die Einheit gelegentlich ein wenig von der markierten Lochmitte weg verschieben. Ggf. wieder in Position bringen.

- Der Magnet haftet an allen Eisenwerkstoffen mit einer Dicke ab 6 mm.

ANBOHREN

- Schutzvorrichtung IMMER herunterlassen.
- **STARTEN DES MOTORS**
 - Kernbohrer unter leichten Druck vorsichtig auf die Oberfläche des Werkstücks herunter drehen, bis er die Anfangsnut in der Oberfläche geschnitten hat. Fester drücken, bis der Motor belastet wird.
 - Unter stetigem Druck weiter schneiden. Unzulässig hoher Druck macht den Schnitt nicht schneller, verkürzt aber die Lebensdauer des Kernbohrers und kann den Motor beschädigen. Wenn die Späne blau werden, mehr Öl eingießen.
- **MOTOR ABSTELLEN**
 - Wenn der Kernbohrer im Werkstück klemmt, MOTOR ABSTELLEN, Kernbohrer vorsichtig aus dem Werkstück herausheben und nochmals beginnen.
 - Nach einem Stromausfall während des Schnittes muss die Maschine rückgestellt werden, bevor der Motor wieder startet.
 - Am Ende des Schnittes wird der Metallklumpen ausgestoßen. Kernbohrer vom Werkstück abziehen und Motor abstellen.

BOHRMASCHINENGERÄUSCHPEGEL- UND DRUCKMESSUNGEN: NACH DIN EN 60745 GENORMT

MOTOREINHEIT	SCHALLDRUCK-PEGEL	SCHALLLEISTUNGSPEGEL	LÄRM K FACTOR	VIBRATION	VIBRATION K FACTOR
UNI 1	83 dB (A)	96 dB (A)	3 dB(A)	1,67 m/s ²	1.5 m/s ²
UNI 2	84 dB (A)	97 dB (A)	3 dB(A)	1,95 ms/2	1.5 m/s ²
UNI 3	86 dB (A)	99 dB (A)	3 dB(A)	2,47 ms/2	1.5 m/s ²
UNI 4	86 dB (A)	99 dB (A)	3 dB(A)	2,47 ms/2	1.5 m/s ²
HITACHI D13	81.7 dB (A)	94 dB (A)	3 dB(A)	≤ 2.5 m/s ²	1.5 m/s ²
MAKITA DS4011	81 dB (A)	92 dB (A)	3 dB(A)	≤ 2.5 m/s ²	1.5 m/s ²
AEG B4-32	85 dB (A)	98 dB (A)	3 dB(A)	≤ 2.5 m/s ²	1.5 m/s ²
AEG KM1200	80 dB (A)	91 dB (A)	3 dB(A)	≤ 2.5 m/s ²	1.5 m/s ²
D5000 - HB500	84 dB (A)	97 dB (A)	3 dB(A)	1,95 ms/2	1.5 m/s ²
AIR MOTOR	87dB(A) at 6 bar	98 dB (A)	3 dB(A)	≤ 2.5 m/s ²	1.5 m/s ²

Der Bediener sollten einen Gehörschutz tragen.

Der erklärte Gesamtwert der Vibration wurde in Übereinstimmung mit einer Standard-Testmethode gemessen und kann für den Vergleich von einem Werkzeug mit einem anderen verwendet werden. Der erklärte Gesamtwert der Vibration kann auch bei einer vorläufigen Bewertung der Exponierung verwendet werden.

Achtung, wichtiger Hinweis! Die tatsächliche Vibration während des Einsatzes der Maschine kann je nach der Art der Verwendung der Maschine vom erklärten Gesamtwert abweichen.

GARANTIEANTRAG

Diese Maschine wird für 12 Monate ab Kaufdatum von einer Garantie gegen Material- und Herstellungsfehler gedeckt. Voraussetzungen:

1. Die Garantiekarte muss innerhalb von zehn Tagen ab Kaufdatum ausgefüllt und an die untenstehende Adresse gesandt werden.
2. Die beanstandeten Fehler müssen nach Erachten des Garantiegebers einem Herstellungsfehler zuzuschreiben und nicht durch Missbrauch, Eingriffe oder Betriebsversuche mit einer von den Angaben des Leistungsschildes

abweichenden Spannung verursacht worden sein.

3. Reparaturen durch Unbefugte und Fehler infolge von normaler Abnutzung werden nicht von der Garantie gedeckt.
4. Wir behalten uns das Recht vor, aus Rücksendungen entstandene Arbeits-, Verpackungs- und Transportkosten in Rechnung zu stellen.
5. Maschinen zur Reparatur unter unseren Garantiebedingungen müssen an der Lieferant der Maschine zurückgeschickt werden.

6. Wenn Rücksendung erforderlich ist, ist die Maschine nach Möglichkeit in der Originalverpackung zurück zu senden.

7. Der Garantiegeber haftet nicht für Maschinenschäden oder Verluste (beliebiger Ursache) während des Transports.
8. Füllen Sie bitte vor Absenden des Garantieantrags das Kaufdatum aus.
9. Bewahren Sie diesen Abschnitt als Kaufnachweis auf, der bei Garantieansprüchen vorgelegt werden muss.

DIESE GARANTIE MACHT IHRE GESETZLICHEN RECHTE NICHT UNGÜLTIG.

FÜLLEN UND DIESE KARTE JETZT ZURÜCK.

Bitte senden Sie SOFORT

Bitte registrieren Sie meine elektro-magnetische Bohrmaschine für Gewährleistungsansprüche.

Ich erkläre mich mit den Bedingungen, so wie diese auf der Anmeldung für die Gewährleistung angegeben sind, einverstanden.

- (1) Kaufdatum
- (2) Modell-Nr (3) **Serien-Nr**
- (4) Name des Kunden
- Anschrift
-
- (5) Händler Name
- Anschrift
-

**UNIVERSAL DRILLING & CUTTING
EQUIPMENT LTD.**

(UK)

43 Catley Road, Sheffield S9 5JF
Großbritannien.

(Europe)

Dalweg 1 (Pinnepot II) 3233 KK
Oostvoorne. The Netherlands

(USA)

974 North DuPage Ave. Lombard IL.
60148 USA

Om u te helpen de best mogelijke resultaten te verkrijgen met uw nieuwe magnetische boormachine, zijn in deze richtlijnen eenvoudige en doelmatige aanwijzingen opgenomen waarmee de uitrusting lange tijd veilig en effectief kan worden gebruikt. U wordt verzocht deze richtlijnen goed door te lezen **VOORDAT** de boormachine wordt gebruikt.

• **ZORG ERVOOR** dat u alle algemene en specifieke veiligheidsprocedures in acht heeft genomen.

Het Kernboor Concept	38
Boorsnelheden	39
Voedingen en Toerentallen	40
Veiligheid	41
Onderhoud	42
Plaatsen van de Beschermkap	43
Plaatsen van de Kernboor	44
Bedieningspanelen	45
Beginnen met boren	46
Geluid en trillingen	46
Garantie Registratie	47

Uitleg van de pictogrammen op het typeplaatje



DIT HANDBOEK RAADPLEGEN

alvorens het gereedschap te gebruiken.



GEVAAR! Deze indicatie wijst op direct gevaar of risico van algemene aard voor leven en gezondheid.



ELEKTRICITEIT-GEVAARLIJK!

Deze indicatie wijst op direct mogelijk levensgevaar als gevolg van elektriciteit.

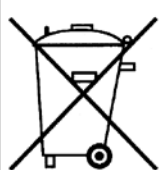


GEBRUIK ALTIJD OOG- EN OORBESCHERMERS



GEBRUIK DE VEILIGHEIDSBAND

om het gereedschap vast te zetten op het werkstuk.



RECYCLING

Geef elektrisch gereedschap niet met het huisvuil mee!

Volgens de Europese richtlijn 2002/96/EC inzake oude

elektrische en elektronische apparaten en de toepassing daarvan binnen de nationale wetgeving, dient gebruikt elektrisch gereedschap gescheiden te worden ingezameld en te worden afgevoerd naar een recycle bedrijf dat voldoet aan de geldende milieu-eisen.

WEEE Richtlijn Certificaat nummer:-
WEE/EH0103VV

Alle magneetkernboor systemen zijn volledig in overeenstemming met de ROHS richtlijnen.



EC verklaring van conformiteit
Certificaat nr. EC/MT

Hierbij wordt door ons verklaard dat de hieronder beschreven machine:-

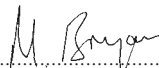
1. TYPE: Elektromagnetische boormachine
2. MODEL nr.: RAADPLEEG HET PLAATJE MET DE TECHNISCHE GEGEVENS OP DE MACHINE
3. SERIE nr.: RAADPLEEG HET PLAATJE MET DE TECHNISCHE GEGEVENS OP DE MACHINE

voldoet aan de volgende Europese richtlijnen:

2014/30/EU
2006/42/EC
2011/65/EU

EN61029-1:2009+A1:2010,

en met alle essentiële en ter zake doende vereisten betreffende gezondheid en veiligheid.

Getekend: 
M. T. Bryan (Directeur)

UNIVERSAL DRILLING & CUTTING EQUIPMENT LTD.
43 Catley Rd. Sheffield S9 5JF.
Verenigd Koninkrijk.
30 januari 2016

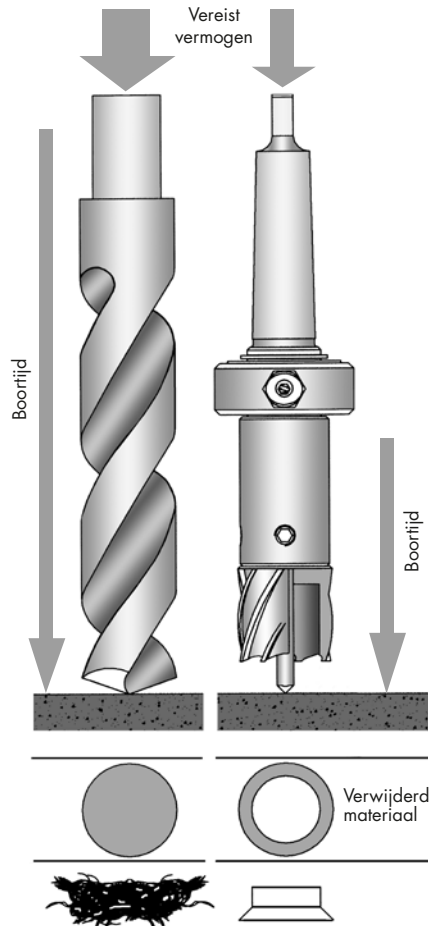
HET KERNBORR CONCEPT

Als u niet bekend bent met het gebruik kernboren, neem dan even de tijd om deze leidraad goed door te lezen. Als u inzicht heeft in dit concept, zult u profiteren van de betere prestaties en langere levensduur van de uitrusting.

Door kernboren wordt uitsluitend materiaal verwijderd aan de omtrek van het gat. Hiermee wordt dus geen gat geboord door, vanuit het midden, in de vorm van krullen, materiaal te verwijderen. Hierdoor is, om een gat te produceren, dus minder tijd en vermogen nodig dan wanneer een traditionele spiraalboor wordt gebruikt.

De kernboor capaciteit van een machine is daardoor groter dan de spiraalboor capaciteit.

De prop die na het boren wordt uitgeworpen heeft ook een hogere schroot waarde dan die van boorkrullen.

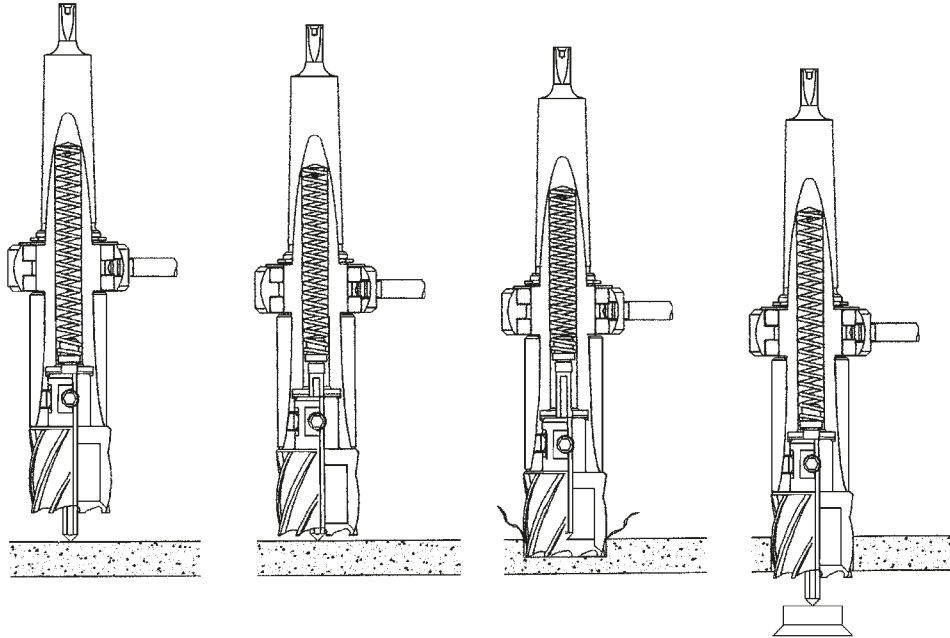


MATERIAAL EN BOORSNELHEDEN

- Het gemak waarmee materialen kunnen worden geboord is afhankelijk van een aantal verschillende factoren zoals treksterkte en de schuurbestendigheid. Hoewel over het algemeen de hardheid en/of materiaalsterkte als uitgangspunt worden gebruikt, bestaan er toch enorme variaties in het gemak waarmee materialen met kennelijk sterk overeenkomende fysieke eigenschappen, machinaal kunnen worden bewerkt.
- De condities of omstandigheden waaronder moet worden geboord kunnen afhankelijk zijn van vereisten voor de technische levensduur van gereedschap en de

oppervlakteafwerking. Deze kunnen echter ook worden beperkt door de stabiliteit van het gereedschap en het werkstuk, de smering en het door de machine geleverde vermogen.

- Hoe harder het materiaal, hoe lager de boorsnelheid. Sommige materialen met geringe hardheid bevatten slijtage-veroorzakende bestanddelen die, bij hoge toerentallen, zullen leiden tot versnelde slijtage van de snijtanden. De voeding wordt altijd bepaald door de stabiliteit van de opstelling, de hoeveelheid te verwijderen materiaal, de oppervlakteafwerking en het vermogen van de machine.



- Het verdient altijd de voorkeur om, voor een bepaald materiaal, een constante oppervlakte snelheid (toerental) in te stellen en te handhaven en de voeding te variëren, binnen de vastgestelde waarden. Bij bepaalde gelegerde materialen (b.v. Hardox) is echter een constante, ononderbroken voeding essentieel voor een goed resultaat i.v.m. de zelfhardende eigenschappen van het te boren materiaal.

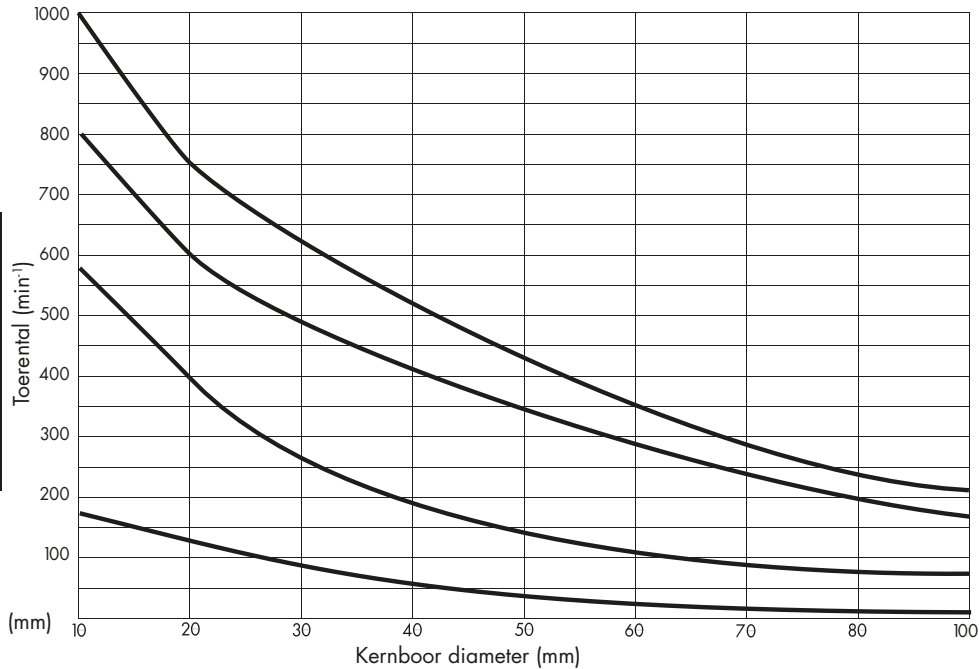
• De voeding van de machine wordt gemeten in inches of millimeters (mm) per minuut en is het product van de oppervlakesnelheid (min^{-1}) x het aantal snijtanden x de voeding per tand. Te lage of overmatig hoge voeding heeft tot gevolg dat de kernboor vroegtijdig niet meer goed functioneert. Als op harde materialen te hoge toerentallen (min^{-1}) worden gebruikt, zullen - onvermijdelijk - stukjes uit de snijtanden worden geslagen terwijl dit tevens zal leiden tot te hoge temperaturen.

- De voeding van (dunwandige) kernboren met kleine diameter of kernboren met een grote snijdiepte is beperkt. Dit komt door de mogelijke torsie van de schacht. Gebruik, waar mogelijk, ook altijd de grootste en sterkste kernboor. Dit is vooral belangrijk bij hardere materialen. Voor conventionele M2 HSS kernboren vertegenwoordigt staal tot maximaal 400 HB de potentiële limiet.

Boven 300 HB dienen eigenlijk kernboren met een kobalt-legering te worden gebruikt omdat die veel langer meegaan. Op zachtere materialen is, met dergelijke kobalt gelegerde kernboren, een hogere productie mogelijk doordat de toerentallen (min^{-1}) en bewerkingssnelheden met maximaal 50% kunnen worden verhoogd. Met T.C.T. kernboren (hardmetalen tanden) zijn oppervlaktetoerentallen en voedingen mogelijk die tweemaal zo hoog liggen als die van standaard kernboren.

VOEDINGEN EN TOERENTALLEN (min^{-1})

BOORSNELHEDEN: gesuggereerde toerentallen voor verschillende kernboor diameters/materialen



GEREEDSCHAP
VOEDINGS SNELHEID

MATERIAAL
Voedingsnelheid (mm/min)

ALUMINIUM - 60
MESSING - 45

NORMAAL STAAL - 24

STAAL MET HOGE TREKSTERKTE - 9

BELANGRIJK: Deze waarden zijn uitgangscriteria. De werkelijke prestaties worden bepaald door het soort materiaal, de dikte en hardheid, en de toepassing en condities van de kernboor.

WAARSCHUWING! *Bij het gebruik van elektrische gereedschappen mag nooit worden afgeweken van fundamentele veiligheidsvereisten teneinde het risico van brand, elektrische schokken, letsel en/of verwonding, inclusief de hieronder vermelde beschrijving, zoveel mogelijk tegen te gaan.*

Altijd eerst deze instructies lezen en dan pas het product gebruiken. Deze instructies op een veilige plek bewaren.

KEN UW ELEKTRISCHE GEREEDSCHAP

Lees het instructieboekje van de fabrikant en de labels die op het gereedschap zijn bevestigd. Zorg ervoor dat u op de hoogte bent van de toepassingsmogelijkheden en beperkingen alsmede alle potentiële risico's.

1. UITPAKKEN EN MONTEREN

Verwijder de machine uit de verpakking en schroef de hendels vast in de slede-aandrijfas.

Zorg ervoor dat de handgrepen schoon en droog blijven en dat deze niet in contact komen met olie en/of vet. Monteren: Plaats en vul de oliefles (indien van toepassing). Voor gebruik de gehele machine inspecteren. Voor ieder gebruik altijd controleren of schroeven, moeren, etc. goed zijn vastgedraaid. Controleer of de slede onbelemmerd kan bewegen. Plaats de bescherming (zie blz. 43).

ALTIJD de daarvoor bestemde handgrepen gebruiken als de eenheid moet worden verplaatst of opgetild – **NOOIT** de kabels.

2. AARDEN

Zorg ervoor dat (indien van toepassing) voor dat doel geschikte massakabels en stekkers worden gebruikt en dat deze op de juiste manier zijn aangesloten. Controleer de kabels en stekkers op beschadiging.

3. **BESCHERMKAPPEN NOOIT VERWIJDEREN** (indien van toepassing) – zorg ervoor dat deze in goede conditie zijn en op de juiste manier zijn uitgelijnd en afgesteld.

VEILIGHEID WERKRUIMTE

Houd de werkruimte schoon en overzichtelijk. Rommelige werkruimten en werkbanken brengen het risico van ongevallen met zich mee. De vloer mag niet glad zijn als gevolg van stof, vuil of gemorste olie.

4. VERMIJD GEVAARLIJKE SITUATIES

Gebruik elektrische gereedschappen nooit in de buurt van brandbare vloeistoffen of gassen, in vochtige of natte situaties. Bescherm de gereedschappen tegen regen. Zorg ervoor dat de werkplek goed is verlicht en dat voldoende ruimte aanwezig is om de werkzaamheden onbelemmerd uit te kunnen voeren.

5. ZORG VOOR EEN VEILIGE WERKPLAATS

Gebruik hangsloten of hoofdschakelaars en verwijder sleutels. Bezoekers mogen zich nooit in de buurt bevinden van de werkplek. Als gereedschappen en hulpstukken niet worden gebruikt, dan moeten deze op een veilige afgesloten plaats worden opgeborgen.

DRAAG DE JUISTE KLEDING

6. Draag geen losse kleding, handschoenen, dassen of sieraden (ringen, horloges) die in contact kunnen komen met bewegende onderdelen.

Het gebruik van **NONSLIP** schoeisel wordt aanbevolen. Gebruik haarbescherming bij lang haar. Rol lange mouwen op tot boven de elleboog.

7. **GEBRUIK EEN VEILIGHEIDSBRIL** (hoofdbescherming) Gebruik altijd een goedgekeurde veiligheidsbril.

Een normale bril is slechts voorzien van krasbestendige glazen. Dit is dus **GEEN** veiligheidsbril. Gebruik tevens een gezichts- of stofmasker als gedurende werkzaamheden stof wordt geproduceerd. Bij langdurig gebruik ook oorbescherming toepassen.

VOORBEREIDENDE WERKZAAMHEDEN

Controleer alle snoeren en laat beschadigde exemplaren repareren door een goedgekeurde, officiële reparateur. Snoeren en kabels nooit ondeskundig of onjuist gebruiken. Ruk een snoer nooit uit het stopcontact. Houd het snoer altijd uit de buurt van een hitte/warmtebron, olie en scherpe randen.

8. **VERWIJDER STELSCHROEVEN/SLEUTELS EN MOER/SCHROEFSLEUTELS.**

Zorg ervoor dat stelschroeven en sleutels voor gebruik zijn verwijderd..

9. **VEILIG UITVOEREN VAN WERKZAAMHEDEN.** Bevestig de machine met de veiligheidsband voordat deze wordt gebruikt. Gebruik, ter bevestiging van het gereedschap, klemmen of een bankschroef (als dit praktisch mogelijk is).

GEBRUIK

Raadpleeg alle specifieke instructies in de richtlijnen ("Boren") op blz. 45 & 46.

10. NOOIT FORCEREN

Het product werkt beter en veiliger als dit wordt gebruikt in overeenstemming met het ontwerp.

11. **GEBRUIK HET JUISTE GEREEDSCHAP/HULPSTUK** Gereedschappen of hulpstukken nooit forceren bij het uitvoeren van werkzaamheden waarvoor de uitrusting niet is ontworpen. Gebruik nooit stompe of beschadigde kernboren, etc.

12. **NOOIT BUITEN OF BOVEN UW BEREIK WERKEN.** Zorg ervoor dat u stevig en veilig staat zodat u uw evenwicht niet kunt verliezen.

AANVULLENDE BELANGRIJKE PUNTEN.

• Laat de uitrusting nooit zonder toezicht draaien. Schakel de voeding uit. • Wacht ook altijd tot de uitrusting geheel tot stilstand

is gekomen. • Zorg ervoor dat de werkplek en de eenheid altijd vrij zijn van vuil, krullen, schaafsels, etc. • Zorg ervoor dat de draaivoet van een machine met draaipunt in de juiste positie is vergrendeld. • Het toerental nooit wijzigen als de boor nog draait. • De machine mag op geen enkele wijze worden gemodificeerd.

MORSE CONUS KERNBOORHOUDERS

(Zie tekening op pagina 7).

• Aandacht is vereist bij het plaatsen van Morse Conus houders om beschadiging van de uitdrijflijp te voorkomen. De uitdrijflijp is uitsluitend bedoeld voor het uitwerpen van de houder en niet bedoeld voor het overbrengen van rotatiekrachten.

• Voor een maximale passing, moet de conus goed en schoon geplaatst zijn in de conushouder. (Fig. 1)

• De conus en conushouder moeten vrij zijn van olie, spanen en vervuiling & voor het plaatsen altijd met een doek worden schoongeveegd.

• Als er zich olie, spanen of vuil tussen de conus en conushouder bevindt zoals in fig. 2 zal het frictie oppervlak voor het overbrengen van de rotatiekrachten aanzienlijk worden verminderd en leiden tot het verbuigen of breken van de uitdrijflijp.

• Ook bij slijtage of beschadiging van de conus of conushouder (fig. 3) zal de passing niet optimaal zijn. Beschadigde delen dienen te worden vervangen. Bij het plaatsen van de kernboorhouder moet deze altijd goed worden aangeklopt met b.v. een houten of kunststof hamer om een optimale krachtenoverbrenging te verkrijgen

BELANGRIJKE MEDEDELING

GEBRUIK ELEKTROMAGNETISCH
KERNBOORMACHINES EN LAS APPARATUUR
NOOIT GEIJKTJIDIG OP HETZELFDE
WERKSTUK, OM BESCHADIGING AAN DE
ELECTRONICA TE VOORKOMEN.

ONDERHOUD

13. ONTROPPEL DE MACHINE ALTIJD LOS VAN DE STROOMBRON voordat onderhoud wordt uitgevoerd en/of accessoires zoals kernboren, etc. worden verwisseld.

14. Houd gereedschappen scherp en schoon teneinde de beste en veiligste prestaties te kunnen garanderen. Wijk niet af van de instructies voor het smeren en vervangen van accessoires.

15. GEBRUIK UITSLUITEND AANBEVOLEN ACCESSOIRES.

Gebruik de bijbehorende instructies. Het gebruik van onjuiste accessoires kan leiden tot onvoorziene risico's.

16. VOER EEN CONTROLE UIT OP BESCHADIGDE ONDERDELEN

Voordat een beschadigd gereedschap, hulpstuk, beveiliging of ander onderdeel weer wordt gebruikt moet de juiste en veilige werking zorgvuldig worden gecontroleerd. Controleer de uitlijning en positie van bewegende onderdelen. Let op gebroken onderdelen, de bevestiging en andere condities waardoor de werking negatief kan worden beïnvloed. Een beschadigde beveiliging of ander onderdeel moet op de juiste manier door een deskundige officiële servicefaciliteit worden gerepareerd of vervangen.

- Breng af en toe een paar druppels olie aan op de tanden van de tandheugel.
- De lagers van de drijfas zijn zelfsmierend en mogen niet met vet worden gesmeerd.
- Smeer de over elkaar bewegende oppervlakken van de slede met MOLYCOTE vet.

• Gedurende transport of als de machine niet wordt gebruikt, deze altijd in de meegeleverde koffer plaatsen.

• Na gebruik altijd controleren of de machine vrij is van vuil, krullen of spaanders.

• Beschadigde of versleten onderdelen moeten onmiddellijk worden vervangen door officiële, door de fabrikant vervaardigde vervangingsonderdelen. Dit dient te geschieden door een officiële onderhouds/reparatiedeskundige.

• Controleer gedurende gebruik of de snijtanden nog scherp zijn. Versleten of stompe kernboren kunnen leiden tot overbelasting van de motor.

• Aanbevolen wordt dat, om de 30 minuten, de machine op de zijkant wordt gelegd zodat het vet de tandwielen kan bereiken.

• Het is mogelijk dat, na herhaaldelijk gebruik, de slede los komt te zitten. Dit wordt verholpen met de spanschroeven op de zijkant van het huis. Zet een 2,5 mm inbusleutel in de kop van de inbusboutjes van het huis. Draai de borgmoeren met een 8 mm steeksleutel linksom terwijl tegelijkertijd de inbusleutel wordt vastgehouden zonder de inbusboutjes los te draaien. Draai de boutjes met de inbusleutel, in serie, los tot de slede vrij in het huis kan bewegen zonder dat de motor gaat wiebelen. Nadat de afstelling is voltooid moeten de borgmoeren rechtsom weer worden vastgedraaid. Zorg ervoor dat de inbusboutjes niet uit de nieuwe posities bewegen

INSTRUCTIES VOOR HET PLAATSEN VAN DE VEILIGHEIDSKAP

Controleer of de machine niet is aangesloten op de stroombron.

TYPE 1: Dit type wordt met één schroef bevestigd op de boormotor.

Monteer de beschermkap op de boormotor in de positie die is aangegeven in fig. 1.

Bevestig de beschermkap met de bijgeleverde schroef op de motor. Draai de bevestigingsschroef **NOOIT** te strak vast. De schroef moet los genoeg zitten om de beschermkap, wanneer dat noodzakelijk is, omhoog te laten bewegen. Laat de kap zakken tot op het oppervlak waarin wordt geboord.

Gedurende het boren moet de kap altijd contact maken met dit oppervlak. Terwijl de boor omlaag gaat, zal de kap ten opzichte van de boor omhoog gaan.



fig. 1

TYPE 2: Bij dit type wordt de kap met twee schroeven - één aan iedere kant van de boormotor - in positie gehouden. Druk de plastic geleiders van de beschermkap zonnodig in positie in de stelgaten aan weerskanten van de slede.

Monteer de beschermkap op de slede zoals aangegeven in fig. 2.

Bevestig de beschermkap met de bijgeleverde schroeven en vulringen op de boor. Draai de bevestigingsschroeven **NOOIT** te strak vast. De schroeven moeten los genoeg zitten om de beschermkap, wanneer dat noodzakelijk is, omhoog te laten bewegen. Laat de kap zakken tot op het oppervlak waarin wordt geboord.

Gedurende het boren moet de kap altijd contact maken met dit oppervlak. Terwijl de boor omlaag gaat, zal de kap ten opzichte van de boor omhoog gaan.



fig. 2

(STANDAARD KERNBOORHOUDER)

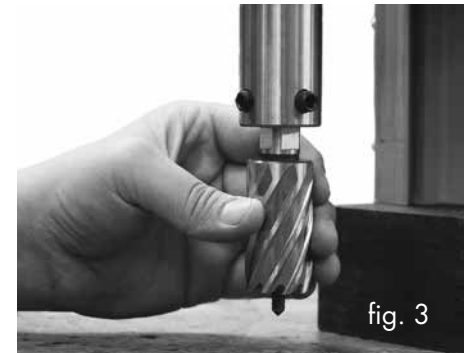


fig. 3

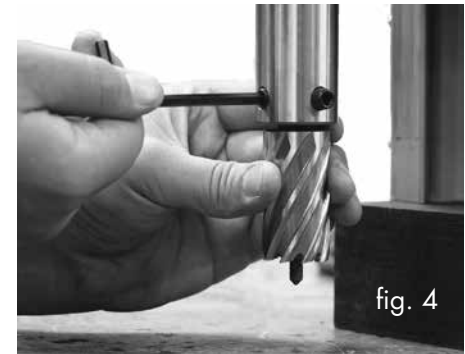


fig. 4

PLAATSEN VAN DE KERENBOOR (QUICKHITCH SNEL SPAN KERENBOORHOUDER)

CONTROLEER OF DE STROOM IS UITGESCHAKELD VOORDAT U WERKZAAMHEDEN UITVOERT AAN DE MACHINE

Plaatsen van de uitwerpstift

• Met de uitwerpstift wordt de kernboor gecentreerd en wordt na het boren de prop uit de kernboor uitgeworpen. De pen heeft een platte zijkant. Via die zijkant kan de koelvloeistof het midden van de snede bereiden, waar de temperaturen het hoogst zijn. Schuif de uitwerpstift door de opening in het midden van de schacht van de kernboor.

PLAATSEN VAN DE KERENBOOR

• Op een standaard kernboorhouder wordt de kernboor met twee inbusboutjes in de boorhouder bevestigd. De schacht van de kernboor is voorzien van twee platte vlakken die moeten worden uitgelijnd op de inbusjes in de boorhouder (fig. 3). Steek de schacht van de kernboor in de boorhouder. De inbusjes moeten even strak worden vastgedraaid (gebruik de bijgeleverde 5 mm inbusleutel zodat de kernboor niet kan bewegen (fig. 4).

• Op machines met een Quickhitch™ kernboorhouder kan iedere kernboor met een schacht van 19 mm en met minimaal één plat vlak, worden gemonteerd.

Plaats een kernboor door die onder de Quickhitch™ uit te lijnen en de ring van de boorhouder, tegen de veerdruk in, te verdraaien en in positie vast te houden (fig. 5). Steek de schacht van de kernboor zo ver mogelijk in de booras en laat de ring los (fig. 6).

Verdraai de kernboor in de boorhouder om te controleren of het platte vlak in het borgmechanisme is vergrendeld (fig. 7).

Draai de ring zo ver mogelijk linksom. De kernboor is nu in de booras vergrendeld (fig. 8).

Verwijder de kernboor door de ring rechtsom, tegen de veerdruk in, te draaien. De kernboor wordt uitgeworpen.



fig. 5

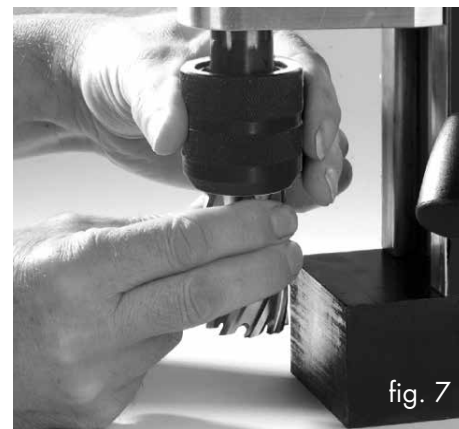


fig. 7



fig. 6



fig. 8

N.B.: De veiligheidsband en beschermkappen worden niet op de foto's getoond.

BEDIENINGSPANELEN

• Onze machines zijn, in overeenstemming met de technische vereisten van de machine, voorzien van één van drie verschillende bedieningspanelen. Voor ieder paneel geldt een enigszins afwijkende bedieningsprocedure. Door gebruikers moet derhalve worden gecontroleerd welk paneel is geplaatst zodat zij zich bekend kunnen maken met de bedieningsknoppen. HET GEREEDSCHAP NOOIT GEBUIKEN ALS DIT MET DE SCHAKELAAR NIET AAN OF UIT KAN WORDEN GEZET.

ELECTRISCH GESCHAKELDE BEDIENING



- Steek de stekker in het stopcontact.
 - **BEKRACHTIG DE MAGNEET** door de rode magneetschakelaar om te zetten.
 - **START DE MOTOR** – Druk op de groene knop van de motorschakelaar.
- UITZETTEN VAN DE MOTOR** – Druk op de rode knop van de motorschakelaar.

DRAAIEN VAN DE MOTOR IN TEGENGESTELDE RICHTING

Schakel de machine in & bekrachtig de magneet aan zoals eerder beschreven.

Start de motor - Druk op de groene knop van de motorschakelaar, met de 3 standen tuimelschakelaar in de "FORWARD" positie

- **LINKSOM DRAAIEN** – schakel de tuimelschakelaar naar de midden positie, wacht totdat de motor volledig stil staat, schakel dan de tuimelschakelaar naar de "REVERSE" positie. De motor zal linksom draaien.

ELECTRONISCH GESCHAKELDE BEDIENING

• Steek de stekker in het stopcontact. De rode LED op het elektrische bedieningspaneel gaat knipperen.

• **ZET DE MACHINE AAN** door de rode knop in te drukken en los te laten.

• **BEKRACHTIG DE MAGNEET** door de gele knop in te drukken en los te laten. De gele LED gaat branden.

• **START DE MOTOR** door de groene knop in te drukken en los te laten. De groene LED gaat branden.

• **UITZETTEN VAN DE MOTOR.**

DRUK DE GROENE KNOP IN EN LAAT DEZE LOS.

• Schakel de magneet uit door de gele knop in te drukken en los te laten. De magneet wordt niet onmiddellijk uitgeschakeld. Er is een vertraging van ± 3 seconden waarbij een ononderbroken piepsignaal wordt geproduceerd.

DRAAIEN VAN DE MOTOR IN TEGENGESTELDE RICHTING (Alleen voor machines met Links/Rechts schakeling)

Zet de machine aan en bekrachtig de magneet zoals eerder beschreven.

RECHTSOM DRAAIEN. Druk de groene knop kort in. De groene LED gaat branden

DE MOTOR UITZETTEN. Druk de groene knop kort in. De groene LED gaat uit.

LINKSOM DRAAIEN. Druk de groene knop lang in tot de signaaltoon wordt gehoord. De groene LED gaat knipperen (de pauze is nodig om er zeker van te zijn dat de motor is gestopt). De motor gaat linksom draaien.

DE MOTOR UITZETTEN. Druk de groene knop kort. De groene LED gaat uit.

Via de groene LED worden de volgende signalen gegeven: AAN - rechtsom draaien. KNIPPEN - linksom draaien



MM2 PANEL

Steek de stekker in het stopcontact. De rode knop op het elektrische bedieningspaneel gaat knipperen.

• Zet de machine aan door de rode knop in te drukken en los te laten.

• **Bekrachtig de magneet** door de gele knop in te drukken en los te laten. De gele knop gaat branden.

• **Start De motor** door de groene knop in te drukken en los te laten. De groene knop gaat branden.

• **uitzetten van de motor.** Druk de groene knop in en laat deze los.

• **Schakel de magneet uit** door de gele knop in te drukken en los te laten. De magneet wordt niet onmiddellijk uitgeschakeld. Er is een vertraging van ± 3 seconden

ONJUISTE PROCEDURE VOOR STARTEN EN UITSCHAKELEN

• Bij iedere procedure die in de onjuiste volgorde wordt uitgevoerd, zal de verlichte knop snel knipperen.

• De boor en de magneet kunnen pas worden gebruikt nadat de rode knop is geactiveerd.

• Nadat de rode hoofdknop is geactiveerd, zal de motor pas gaan draaien nadat de magneet is geactiveerd.



Markeer de positie van het te boren gat d.m.v. een kraspen.

- Controleer of het werkstuk schoon en vlak is en plaats de machine met de uitwerpstift boven het midden van het te boren gat.

PLAATS DE VEILIGHEIDSBAND.

Gebruiken van de koelvoelstof

- De koelolie zorgt voor een langere levensduur van de kernboor. Ook kan de prop makkelijker worden uitgeworpen.
- Op machines met automatisch koel/smeer systeem zal de olie, zodra met boren wordt aangevangen, automatisch naar de kernboor worden gevoerd.

- Op machines met kernboorhouder voor handmatige smering moet het reservoir in de kernboorhouder worden gevuld via de kleine openingen in de bovenkant.

- Als op verticale vlakken of ondersteboven moet worden geboord, wordt het gebruik van een boorpaste, gel of schuim aanbevolen die het best, voordat met boren wordt aangevangen, in de kernboor kan worden aangebracht.

- **SCHAKEL DE MACHINE, zie de specifieke instructies voor het bedieningspaneel op uw machine.**

- **BEKRACHTIG MAGNEET**

CONTROLEER OPNIEUW of de uitwerpstift nog steeds in het midden staat van het te boren gat. Zodra de magneet namelijk wordt bekrachtigd is het mogelijk dat de machine iets uit het midden verschuift. Zonodig opnieuw centreren.

- De magneet houdt alle ijzerhoudende materialen van minimaal 6 mm (1/4 ") dik.

BEGINNEN MET BOREN

- Laat de beschermkap **ALTIJD** zakken.
- **START DE MOTOR**
- Breng de kernboor rustig omlaag via de hendels tot op de bovenkant van het werkstuk. Oefen lichte druk uit tot de eerste groef is aangebracht. Voer de druk op tot de motor - belast - draait.
- Handhaaf, gedurende de rest van deze werkzaamheden, een gelijkmatige druk. De werkzaamheden zullen niet sneller verlopen door te veel druk uit te oefenen. Daardoor wordt alleen maar de levensduur van de kernboor verkort en kan de motor worden beschadigd. Meer koelolie toevoegen als de metaalkrullen blauw worden.
- **STOP DE MOTOR**
- Als de kernboor vastloopt in het werkstuk **DE MOTOR ONMIDDELIJK STILZETTEN**. Beweeg de kernboor voorzichtig omhoog uit het werkstuk. Dan pas opnieuw beginnen.
- Als de stroom gedurende de werkzaamheden uitvalt, moet de machine eerst worden teruggesteld voordat de motor opnieuw kan worden gestart.
- Na voltooiing van de werkzaamheden wordt de prop uitgeworpen. Verwijder de kernboor uit het werkstuk en zet de motor uit.

BOOREENHEID – GELUIDS- EN DRUKMETINGEN – CONFORM DIN EN 60745

MOTORUNIT	GELUIDS-DRUKNIVEAU	GELUIDS-VERMOGEN-SNIVEAU	LÄRM K FACTOR	TRILLING	TRILLING K FACTOR
UNI 1	83 dB (A)	96 dB (A)	3 dB(A)	1,67 ms/2	1.5 m/s2
UNI 2	84 dB (A)	97 dB (A)	3 dB(A)	1,95 ms/2	1.5 m/s2
UNI 3	86 dB (A)	99 dB (A)	3 dB(A)	2,47 ms/2	1.5 m/s2
UNI 4	86 dB (A)	99 dB (A)	3 dB(A)	2,47 ms/2	1.5 m/s2
HITACHI D13	81.7 dB (A)	94 dB (A)	3 dB(A)	≤2.5 ms/2	1.5 m/s2
MAKITA DS4011	81 dB (A)	92 dB (A)	3 dB(A)	≤2.5 ms/2	1.5 m/s2
AEG B4-32	85 dB (A)	98 dB (A)	3 dB(A)	≤2.5 ms/2	1.5 m/s2
AEG KM1200	80 dB (A)	91 dB (A)	3 dB(A)	≤2.5 ms/2	1.5 m/s2
D5000 - HB500	84 dB (A)	97 dB (A)	3 dB(A)	1,95 ms/2	1.5 m/s2
AIR MOTOR	87dB(A) at 6 bar	98 dB (A)	3 dB(A)	≤2.5 ms/2	1.5 m/s2

Aanbeveling: Door de gebruiker dient oorbescherming te worden gebruikt.

De vermelde totale trillingswaarde werd gemeten conform een standaard testmethode die kan worden gebruikt om afzonderlijke producten met elkaar te vergelijken;- de vermelde trillingswaarde kan ook worden gebruikt gedurende voorafgaande beoordelingen.

Waarschuwing: Het is mogelijk dat de trillingsemisatie gedurende gebruik van dit elektrische gereedschap iets afwijkt van de vermelde totale waarde. Dit is afhankelijk van het gebruik.

GARANTIE - REGISTRATIE

Op deze machine is een garantie van 12 maanden, gerekend vanaf de datum van aanschaf, van toepassing voor defecte componenten of fabrieksfouten, mits:-

1. De garantiekaart, binnen tien dagen na de datum van aanschaf, wordt ingevuld en geretourneerd aan het onderstaande adres.
2. Eventuele defecten, naar oordeel van de garantieverstrekker, het gevolg zijn van gebrekkige fabricage en niet van misbruik, onoordeelkundige modificaties of wijzigingen of pogingen om de machine te bedienen of te gebruiken op andere spanningen dan die zijn aangegeven op het typeplaatje van de machine.

3. Reparaties niet worden uitgevoerd door dit daartoe gemachtigde of onoordeelkundige personen of sprake is van defecten die het gevolg zijn van normale slijtage.

4. Wij behouden ons het recht voor om voor ieder onderdeel of component dat en behoefte van reparaties of onderhoud wordt geretourneerd, arbeidskosten, verpakking en verzendkosten in rekening te brengen.

5. Machines bestemd voor reparaties onder garantie dienen te worden geretourneerd naar de leverancier van uw machine.

6. Als het noodzakelijk is om de machine, voor

reparatie, te retourneren wordt u verzocht om - indien mogelijk - de originele verpakking te gebruiken.

7. De garantieverstrekker kan niet aansprakelijk worden gesteld voor beschadiging of verlies (hoe dan ook veroorzaakt) van machines gedurende verzending.

8. U wordt verzocht om de datum van aankoop in te vullen voordat de garantieregistratie aan ons wordt verzonden.

9. Dit gedeelte dient te worden bewaard als bewijs van aankoop door u en dient, bij iedere aanspraak of claim onder garantie, te worden aangeboden.

DOOR DEZE GARANTIE WORDEN UW WETTELIJKE RECHTEN OP GEEN ENKELE WIJZE BEÏNVLOED.

VOLTOOIEN EN DEZE KAART NU TERUG TE KEREN.

Gelieve te posten ONMIDDELIJK

U wordt verzocht mijn magnetische boormachine te registreren voor garantiedoelinden en ik aanvaard de voorwaarden die zijn vermeld op de garantieregistratie

(1) Datum van aankoop

(2) Model nr. (3) **Serie nr.**

(4) Klantnaam

Adres

(5) Dealer Naam

Adres

UNIVERSAL DRILLING & CUTTING EQUIPMENT LTD.

(Europe)

Dalweg 1 (Pinnepot II) 3233 KK
Oostvoorne. Nederland

(V.K.)

43 Catley Road, Sheffield S9 5JF
Verenigd Koninkrijk

(V.S.)

974 North DuPage Ave. Lombard IL.
60148 USA

