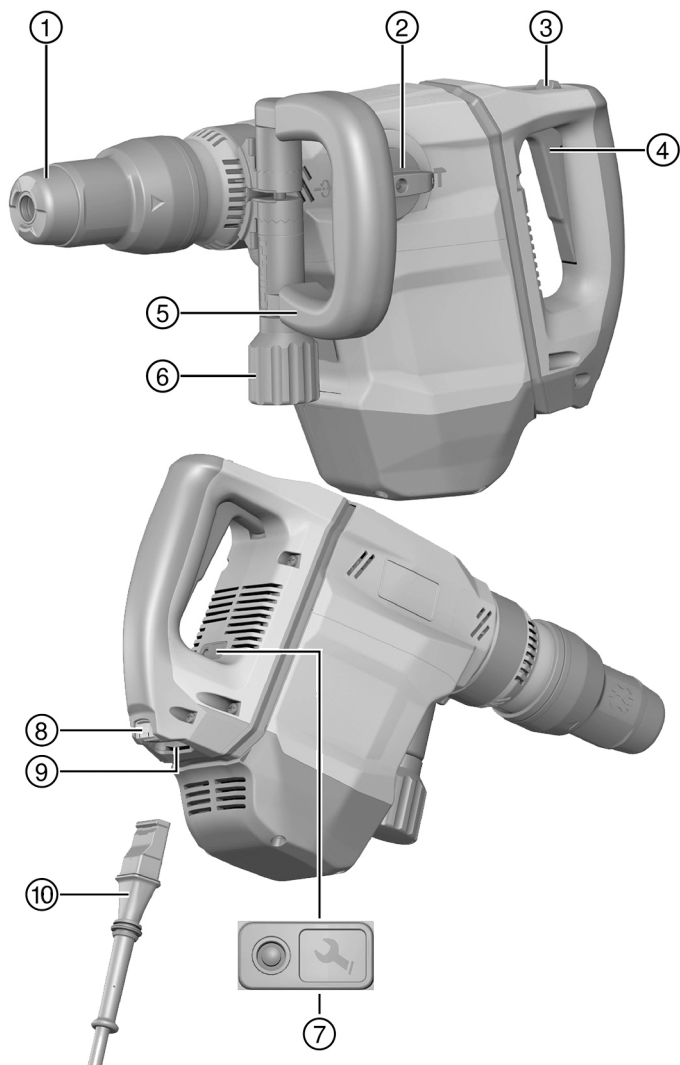


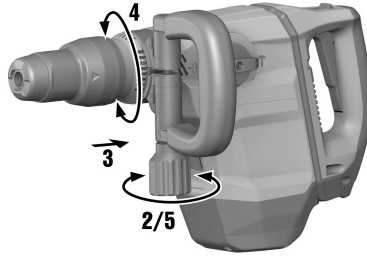


TE 500-AVR

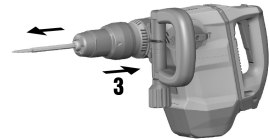
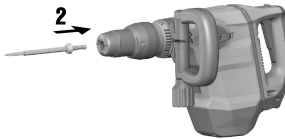
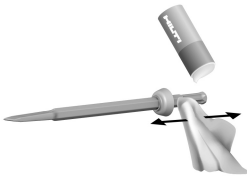
English	1
Español	10
Português	20
عربي	30
日本語	40
한국어	49
繁體中文	57
中文	65



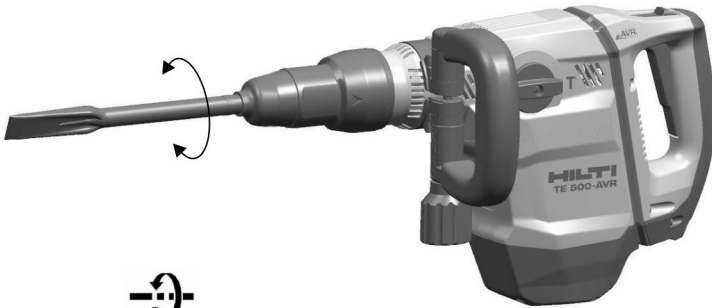
2



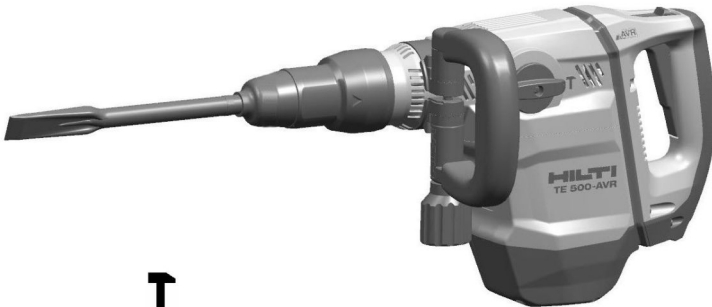
3



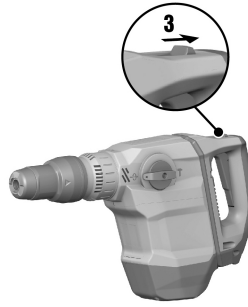
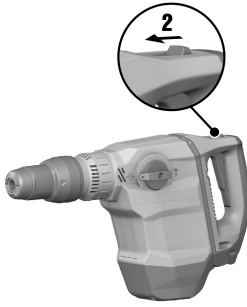
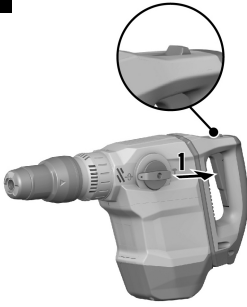
4



5



6



TE 500-AVR

en	Original operating instructions	1
es	Manual de instrucciones original	10
pt	Manual de instruções original	20
ar	دليل الاستعمال الأصلي	30
ja	オリジナル取扱説明書	40
ko	오리지널 사용 설명서	49
zh	原始操作說明	57
cn	原版操作说明	65

Original operating instructions

1 Information about the operating instructions

1.1 About these operating instructions

- Read these operating instructions before the product is used or operated for the first time. This is a prerequisite for safe, trouble-free handling and use of the product.
- Observe the safety instructions and warnings in these operating instructions and on the product.
- Always keep the operating instructions with the product and make sure that the product is accompanied by these operating instructions only, when the product is given to other persons.

1.2 Explanation of symbols

1.2.1 Warnings

Warnings alert persons to hazards that occur when handling or using the product. The following signal words are used:

DANGER

DANGER !

- ▶ Draws attention to imminent danger that will lead to serious personal injury or fatality.

WARNING

WARNING !

- ▶ Draws attention to a potential threat of danger that can lead to serious injury or fatality.





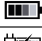
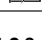
CAUTION

CAUTION !

- ▶ Draws attention to a potentially dangerous situation that could lead to personal injury or damage to the equipment or other property.


1.2.2 Symbols in the operating instructions

The following symbols are used in these operating instructions:

	Comply with the operating instructions
	Instructions for use and other useful information
	Dealing with recyclable materials
	Do not dispose of electric equipment and batteries as household waste
	Hilti Li-ion battery
	Hilti charger

1.2.3 Symbols in illustrations

The following symbols are used in illustrations:

2	These numbers refer to the illustrations at the beginning of these operating instructions.
3	The numbering reflects the sequence of operations shown in the illustrations and may deviate from the steps described in the text.
⑪	Item reference numbers are used in the overview illustration and refer to the numbers used in the key in the product overview section.
	These characters are intended to specifically draw your attention to certain points when handling the product.



1.3 Explanation of signs used

1.3.1 Symbols on the product

The following symbols are used on the product:

	Chiseling
	Chisel positioning
	Protection class II (double-insulated)
n_0	Rated speed under no load
	Wear protective gloves

1.4 Product information

products are designed for professional users and only trained, authorized personnel are permitted to operate, service and maintain the products. This personnel must be specifically informed about the possible hazards. The product and its ancillary equipment can present hazards if used incorrectly by untrained personnel or if used not in accordance with the intended use.

The type designation and serial number are printed on the rating plate.

- ▶ Write down the serial number in the table below. You will be required to state the product details when contacting Hilti Service or your local Hilti organization to inquire about the product.

Product information

Breaker	TE 500-AVR
Generation	03
Serial no.	

1.5 Declaration of conformity

We declare, on our sole responsibility, that the product described here complies with the applicable directives and standards. A copy of the declaration of conformity can be found at the end of this documentation.

The technical documentation is filed here:

Hilti Entwicklungsgesellschaft mbH | Tool Certification | Hiltistrasse 6 | 86916 Kaufering, Germany

2 Safety

2.1 General power tool safety warnings

⚠ WARNING Read all safety warnings, instructions, illustrations and specifications provided with this power tool. Failure to follow all instructions listed below may result in electric shock, fire and/or serious injury. **Save all warnings and instructions for future reference.**

The term "power tool" in the warnings refers to your mains-operated (corded) power tool or battery-operated (cordless) power tool.

Work area safety

- ▶ **Keep work area clean and well lit.** Cluttered or dark areas invite accidents.
- ▶ **Do not operate power tools in explosive atmospheres, such as in the presence of flammable liquids, gases or dust.** Power tools create sparks which may ignite the dust or fumes.
- ▶ **Keep children and bystanders away while operating a power tool.** Distractions can cause you to lose control.

Electrical safety

- ▶ **Power tool plugs must match the outlet. Never modify the plug in any way. Do not use any adapter plugs with earthed (grounded) power tools.** Unmodified plugs and matching outlets will reduce risk of electric shock.
- ▶ **Avoid body contact with earthed or grounded surfaces, such as pipes, radiators, ranges and refrigerators.** There is an increased risk of electric shock if your body is earthed or grounded.
- ▶ **Do not expose power tools to rain or wet conditions.** Water entering a power tool will increase the risk of electric shock.



- ▶ **Do not abuse the cord. Never use the cord for carrying, pulling or unplugging the power tool. Keep cord away from heat, oil, sharp edges or moving parts.** Damaged or entangled cords increase the risk of electric shock.
- ▶ **When operating a power tool outdoors, use an extension cord suitable for outdoor use.** Use of a cord suitable for outdoor use reduces the risk of electric shock.
- ▶ **If operating a power tool in a damp location is unavoidable, use a residual current device (RCD) protected supply.** Use of an RCD reduces the risk of electric shock.

Personal safety

- ▶ **Stay alert, watch what you are doing and use common sense when operating a power tool. Do not use a power tool while you are tired or under the influence of drugs, alcohol or medication.** A moment of inattention while operating power tools may result in serious personal injury.
- ▶ **Use personal protective equipment. Always wear eye protection.** Protective equipment such as a dust mask, non-skid safety shoes, hard hat or hearing protection used for appropriate conditions will reduce personal injuries.
- ▶ **Prevent unintentional starting. Ensure the switch is in the off-position before connecting to power source and/or battery pack, picking up or carrying the tool.** Carrying power tools with your finger on the switch or energising power tools that have the switch on invites accidents.
- ▶ **Remove any adjusting key or wrench before turning the power tool on.** A wrench or a key left attached to a rotating part of the power tool may result in personal injury.
- ▶ **Do not overreach. Keep proper footing and balance at all times.** This enables better control of the power tool in unexpected situations.
- ▶ **Dress properly. Do not wear loose clothing or jewellery. Keep your hair and clothing away from moving parts.** Loose clothes, jewellery or long hair can be caught in moving parts.
- ▶ **If devices are provided for the connection of dust extraction and collection facilities, ensure these are connected and properly used.** Use of dust collection can reduce dust-related hazards.
- ▶ **Do not let familiarity gained from frequent use of tools allow you to become complacent and ignore tool safety principles.** A careless action can cause severe injury within a fraction of a second.

Power tool use and care

- ▶ **Do not force the power tool. Use the correct power tool for your application.** The correct power tool will do the job better and safer at the rate for which it was designed.
- ▶ **Do not use the power tool if the switch does not turn it on and off.** Any power tool that cannot be controlled with the switch is dangerous and must be repaired.
- ▶ **Disconnect the plug from the power source and/or remove the battery pack, if detachable, from the power tool before making any adjustments, changing accessories, or storing power tools.** Such preventive safety measures reduce the risk of starting the power tool accidentally.
- ▶ **Store idle power tools out of the reach of children and do not allow persons unfamiliar with the power tool or these instructions to operate the power tool.** Power tools are dangerous in the hands of untrained users.
- ▶ **Maintain power tools and accessories. Check for misalignment or binding of moving parts, breakage of parts and any other condition that may affect the power tool's operation. If damaged, have the power tool repaired before use.** Many accidents are caused by poorly maintained power tools.
- ▶ **Keep cutting tools sharp and clean.** Properly maintained cutting tools with sharp cutting edges are less likely to bind and are easier to control.
- ▶ **Use the power tool, accessories and tool bits etc. in accordance with these instructions, taking into account the working conditions and the work to be performed.** Use of the power tool for operations different from those intended could result in a hazardous situation.
- ▶ **Keep handles and grasping surfaces dry, clean and free from oil and grease.** Slippery handles and grasping surfaces do not allow for safe handling and control of the tool in unexpected situations.

Service

- ▶ **Have your power tool serviced by a qualified repair person using only identical replacement parts.** This will ensure that the safety of the power tool is maintained.

2.2 Hammer safety warnings

- ▶ **Wear ear protectors.** Exposure to noise can cause hearing loss.
- ▶ **Use auxiliary handles, if supplied with the tool.** Loss of control can cause personal injury.
- ▶ **Hold power tool by insulated gripping surfaces, when performing an operation where the cutting accessory may contact hidden wiring or its own cord.** Cutting accessory contacting a "live" wire may make exposed metal parts of the power tool "live" and could give the operator an electric shock.



2.3 Additional safety instructions

Personal safety

- ▶ Use the tool only when it is in technically faultless condition.
- ▶ Never tamper with or modify the tool in any way.
- ▶ Apply appropriate safety measures at the opposite side of the workpiece in work that involves breaking through. Parts breaking away could fall out and / or fall down causing injury to other persons.
- ▶ Always hold the power tool with both hands on the grips provided. Keep the grips clean and dry.
- ▶ Always grip the side handle at its outermost end.
- ▶ Wear suitable protective glasses, a hard hat, ear protection, protective gloves and light respiratory protection while using the tool.
- ▶ Wear protective gloves also when changing the accessory tool. Touching the accessory tool presents a risk of injury (cuts or burns).
- ▶ Wear eye protection. Flying fragments present a risk of injury to the body and eyes.
- ▶ Before beginning the work, check the hazard classification of the dust that will be produced. Use an industrial vacuum cleaner with an officially approved protection classification in compliance with locally applicable dust protection regulations.
- ▶ Use a dust removal system and suitable vacuum cleaner whenever possible. Dust from materials, such as paint containing lead, some wood species, concrete/masonry/stone containing silica, and minerals as well as metal, may be harmful.
- ▶ Make sure that the workplace is well ventilated and, where necessary, wear a respirator appropriate for the type of dust generated. Contact with or inhalation of the dust may cause allergic reactions and/or respiratory or other diseases to the operator or bystanders. Certain kinds of dust are classified as carcinogenic such as oak and beech dust, especially in conjunction with additives for wood conditioning (chromate, wood preservative). Material containing asbestos may be handled only by specialists.
- ▶ Take breaks between working and do physical exercises to improve the blood circulation in your fingers. Exposure to vibration during long periods of work can lead to disorders of the blood vessels and nervous system in the fingers, hands and wrists.

Electrical safety

- ▶ Before beginning work, check the working area for concealed electric cables or gas and water pipes. External metal parts of the power tool may become live, presenting a risk of electric shock, if you damage an electric cable accidentally.

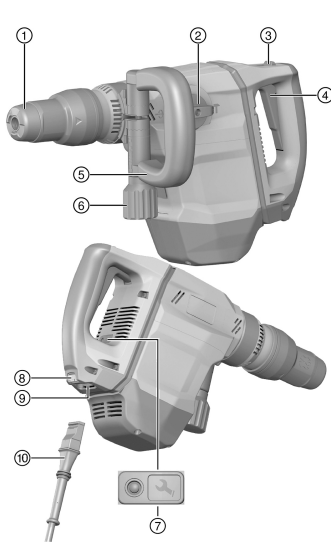
Careful handling and use of power tools

- ▶ Switch the power tool off if the accessory tool sticks and stalls. The power tool may be deflected laterally.
- ▶ Wait until the power tool stops completely before you lay it down.



3 Description

3.1 Overview of the product



- ① Chuck
- ② Function selector switch
- ③ Control switch
- ④ Control switch lock
- ⑤ Side handle
- ⑥ Knob
- ⑦ Service indicator
- ⑧ Lockbutton
- ⑨ Connector on electric tool
- ⑩ Supply cord with keyed, releasable plug connector

3.2 Intended use

The product described is an electrically powered breaker. It is designed for medium-duty chiseling work on masonry and concrete.

- ▶ Operation is permissible only when connected to a power source providing a voltage and frequency in compliance with the information given on the type identification plate.

3.3 Active Vibration Reduction (AVR)

The breaker is equipped with an Active Vibration Reduction (AVR) system, which greatly reduces vibration.

3.4 Possible misuse

- This product is not suitable for working on hazardous materials.
- This product is not suitable for working in a damp environment.
- This product may not be connected to a power source providing a voltage and frequency not in compliance with the information given on the type identification plate.

3.5 Service indicator

The breaker is equipped with a service indicator LED.

Status	Meaning
The service indicator lights.	End of service interval – servicing is due.
The service indicator blinks.	The product is faulty. Have the product repaired by Hilti Service .

3.6 Items supplied

Breaker, side handle, operating instructions.

Other system products approved for use with this product can be found at your local **Hilti Store** or at: www.hilti.group



4 Technical data

4.1 Breaker

For details of the rated voltage, frequency, current and input power, please refer to the power tool's country-specific type identification plate.

When powered by a generator or transformer, the generator or transformer's power output must be at least twice the rated input power shown on the rating plate of the power tool. The operating voltage of the transformer or generator must always be within +5% and -15% of the rated voltage of the power tool.

	TE 500-AVR
Weight in accordance with EPTA procedure 01	6.3 kg

4.2 Noise information and vibration values in accordance with EN 60745

The sound pressure and vibration values given in these instructions have been measured in accordance with a standardized test and may be used to compare one electric tool with another. They may be used for a preliminary assessment of exposure. The data given represents the main applications of the electric tool. However, if the electric tool is used for different applications, with different accessory tools, or is poorly maintained, the data may vary. This may significantly increase exposure over the total working period. An accurate estimation of exposure should also take into account the times when the tool is switched off, or when it is running but not actually being used for a job. This may significantly reduce exposure over the total working period. Identify additional safety measures to protect the operator from the effects of noise and/or vibration, for example: maintenance of the electric tool and the accessories, keeping the hands warm, organization of work patterns.

Noise emission values

	TE 500-AVR
Sound (power) level (L_{WA})	95 dB(A)
Uncertainty for the sound power level (K_{WA})	3 dB(A)
Sound pressure level (L_{pA})	84 dB(A)
Uncertainty for the sound pressure level (K_{pA})	3 dB(A)

Total vibration

	TE 500-AVR
Chiseling ($a_{h,Chisq}$)	6.8 m/s ²
Uncertainty (K)	1.5 m/s ²

5 Operation

5.1 Preparations at the workplace

CAUTION

Risk of injury! Inadvertent starting of the product.

- ▶ Unplug the supply cord before making adjustments to the power tool or before changing accessories.

Observe the safety instructions and warnings in this documentation and on the product.

5.1.1 Fitting the side handle

CAUTION

Risk of injury! Loss of control over the breaker.

- ▶ Check that the side handle is fitted correctly and tightened securely.

1. Slide the side handle clamping band over the chuck from the front and into the recess provided.
2. Bring the side handle into the desired position.
3. Secure the side handle by turning the knob until the clamping band is tight.



5.1.2 Connecting the detachable supply cord

CAUTION

Risk of injury! Due to leakage current as a result of dirty contacts.

- ▶ Connect the detachable electric connector to the electric tool only when it is clean and dry and when the supply cord is unplugged from the power outlet.
-
1. Push the keyed, detachable electric plug connector into the socket as far as it will go, until it is heard to engage.
 2. Plug the supply cord into the power outlet.

5.1.3 Fitting / removing the accessory tool

WARNING

Risk of injury! The tool becomes hot as a result of use.

- ▶ Wear protective gloves when changing the tool.
-
1. Apply a little grease to the connection end of the accessory tool.
 2. Push the accessory tool into the chuck as far as it will go (until it engages).
 - ▶ The product is ready for use.
 3. Pull the chuck back as far as it will go and remove the accessory tool.



Use only the recommended grease supplied by **Hilti**. Use of unsuitable grease may cause damage to the product.

5.1.4 Positioning the chisel

CAUTION

Risk of injury! Loss of control over the chisel direction.

- ▶ Do not operate the tool when the selector switch is set to “Chisel positioning”. Turn the function selector switch until it engages in the “Chiseling” position.
-



The chisel can be adjusted to 24 different positions (in 15° increments). This ensures that flat chisels and shaped chisels can always be set to the optimum working position.

1. Set the function selector switch to the position.
2. Rotate the chisel to the desired position.
3. Engage the function selector switch in the **T** position.
 - ▶ The tool is ready for use.

5.1.5 Disconnecting the detachable supply cord

1. Unplug the supply cord from the power outlet.
2. Press the release button and pull the keyed, detachable electric plug connector out of the socket.
3. Pull the supply cord connector out of the power tool.

5.2 Types of work

WARNING

Risk of electric shock! Severe injury and burns can result if any attempt is made to operate the tool without an earth/ground conductor and ground fault circuit interrupter correctly connected.

- ▶ Irrespective of whether mains power or generator power is used, always make sure that an earth/ground conductor and ground fault circuit interrupter are present in the power supply and that these are correctly connected.
 - ▶ Do not use the product unless these safety measures are in place and fully operational.
-



 **WARNING**

A damaged supply cord presents a hazard! Do not touch the supply cord or extension cord if damaged while working. Disconnect the supply cord plug from the power outlet.


- ▶ Check the appliance's supply cord at regular intervals and have it replaced by a qualified specialist if found to be damaged.

Full approval must be obtained from the site engineer or architect prior to beginning the work.

5.2.1 Chiseling

- ▶ Set the function selector switch to the **T** position.

5.2.2 Switching sustained operation on and off

 When chiseling, the on/off switch can be locked in the “on” position.

1. Push the lockbutton for continuous operation forward.
2. Press the on/off switch as far as it will go.
 - ▶ The product then runs in sustained operating mode.
3. Push the lockbutton for continuous operation back.
 - ▶ The product switches off.

6 Care and maintenance

 **WARNING**

Electric shock hazard! Attempting care and maintenance with the supply cord connected to a power outlet can lead to severe injury and burns.

- ▶ Always unplug the supply cord before carrying out care and maintenance tasks.

Care


- Carefully remove stubborn dirt from the tool.
- Clean the air vents carefully with a dry brush.
- Use only a slightly damp cloth to clean the casing. Do not use cleaning agents containing silicone as they can attack the plastic parts.

Maintenance

 **WARNING**

Danger of electric shock! Improper repairs to electrical components may lead to serious injuries including burns.

- ▶ Repairs to the electrical section of the tool or appliance may be carried out only by trained electrical specialists.
-
- Check all visible parts and controls for signs of damage at regular intervals and make sure that they all function correctly.
 - Do not operate the product if signs of damage are found or if parts malfunction. Have it repaired immediately by **Hilti Service**.
 - After cleaning and maintenance, fit all guards or protective devices and check that they function correctly.

 To help ensure safe and reliable operation, use only genuine Hilti spare parts and consumables. Spare parts, consumables and accessories approved by Hilti for use with the product can be found at your local **Hilti Store** or online at: www.hilti.group.

7 Transport and storage

- Do not transport electric tools with accessory tools fitted.
- Always unplug the supply cord before storing an electric tool or appliance.
- Store tools and appliances in a dry place where they cannot be accessed by children or unauthorized persons.
- Check electric tools or appliances for damage after long periods of transport or storage.



8 Troubleshooting

If the trouble you are experiencing is not listed in this table or you are unable to remedy the problem by yourself, please contact **Hilti Service**.

8.1 Troubleshooting

Trouble or fault	Possible cause	Action to be taken
The breaker doesn't start.	Interruption in the electric supply.	▶ Plug in another electric tool or appliance and check whether it works.
	The electronic restart interlock is activated after an interruption in the electric supply.	▶ Switch the power tool off and then on again.
	The generator is in sleep mode.	▶ Apply a load to the generator by connecting a second power consumer (e.g. worklight). Switch the tool off and then on again.
	A fault has occurred in the tool.	▶ Have the product repaired by Hilti Service .
	The carbon brushes are worn.	▶ Have checked by a trained electrical specialist and replaced if necessary.
No hammering action.	The power tool is too cold.	▶ Bring the tip of the accessory tool into contact with the working surface, switch the power tool on and allow it to run. If necessary, repeat the procedure until the hammering mechanism begins to operate.
The breaker doesn't achieve full power.	The extension cord is too long or its gauge is inadequate.	▶ Use an extension cord of an approved length and / or of adequate gauge.
	The control switch is not fully pressed.	▶ Press the control switch as far as it will go.
The chisel cannot be released from the chuck.	The chuck is not pulled back fully.	▶ Pull the chuck back as far as it will go and remove the insert tool.
The service indicator blinks.	A fault has occurred in the tool.	▶ Have the product repaired by Hilti Service .
The service indicator lights.	The carbon brushes are worn.	▶ Have checked by a trained electrical specialist and replaced if necessary.
	The tool is faulty or servicing is due.	▶ Have the product repaired only by Hilti Service .

9 Disposal

Most of the materials from which **Hilti** tools and appliances are manufactured can be recycled. The materials must be correctly separated before they can be recycled. In many countries, your old tools, machines or appliances can be returned to **Hilti** for recycling. Ask **Hilti Service** or your Hilti representative for further information.



- ▶ Do not dispose of power tools, electronic equipment or batteries as household waste!



10 RoHS (Restriction of Hazardous Substances)

The following links take you to the table of dangerous substances: qr.hilti.com/rxxx.
You will find a link to the RoHS table, in the form of a QR code, at the end of this document.

11 Manufacturer's warranty

- ▶ Please contact your local **Hilti** representative if you have questions about the warranty conditions.

Manual de instrucciones original**1 Información sobre el manual de instrucciones****1.1 Acerca de este manual de instrucciones**

- Lea detenidamente este manual de instrucciones antes de la puesta en servicio. Ello es imprescindible para un trabajo seguro y un manejo sin problemas.
- Observe las indicaciones y advertencias de seguridad en este manual de instrucciones y en el producto.
- Conserve este manual de instrucciones siempre junto con el producto y entregue el producto a otras personas siempre acompañado de este manual de instrucciones.

1.2 Explicación de símbolos**1.2.1 Avisos**

Las advertencias de seguridad advierten de peligros derivados del manejo del producto. Se utilizan las siguientes palabras de peligro:

**PELIGRO****PELIGRO !**

- ▶ Término utilizado para un peligro inminente que puede ocasionar lesiones graves o incluso la muerte.

**ADVERTENCIA****ADVERTENCIA !**

- ▶ Término utilizado para un posible peligro que puede ocasionar lesiones graves o incluso la muerte.

**PRECAUCIÓN****PRECAUCIÓN !**

- ▶ Término utilizado para una posible situación peligrosa que puede ocasionar lesiones o daños materiales.

1.2.2 Símbolos en el manual de instrucciones

En este manual de instrucciones se utilizan los siguientes símbolos:

	Consulte el manual de instrucciones
	Indicaciones de uso y demás información de interés
	Manejo con materiales reutilizables
	No tire las herramientas eléctricas y las baterías junto con los desperdicios domésticos
	Hilti Batería de Ion-Litio
	Hilti Cargador

1.2.3 Símbolos en las figuras

En las figuras se utilizan los siguientes símbolos:



2	Estos números hacen referencia a la figura correspondiente incluida al principio de este manual de instrucciones.
3	La numeración describe el orden de los pasos de trabajo en la imagen y puede ser diferente de los pasos descritos en el texto.
11	En la figura Vista general se utilizan números de posición y los números de la leyenda están explicados en el apartado Vista general del producto .
	Preste especial atención a este símbolo cuando utilice el producto.

1.3 Explicación de símbolos

1.3.1 Símbolos en el producto

En el producto se utilizan los siguientes símbolos:

	Cincelar
	Colocar cincel
	Clase de protección II (aislamiento doble)
n_0	Número de referencia de revoluciones en vacío
	Utilizar guantes de protección

1.4 Información del producto

Los productos han sido diseñados para usuarios profesionales y solo personal autorizado y debidamente formado puede utilizarlos y llevar a cabo su mantenimiento y conservación. Este personal debe estar especialmente instruido en lo referente a los riesgos de uso. La utilización del producto y sus dispositivos auxiliares puede conllevar riesgos para el usuario en caso de manejarse de forma inadecuada por personal no cualificado o utilizarse para usos diferentes a los que están destinados.

La denominación del modelo y el número de serie están indicados en la placa de identificación.

- ▶ Escriba el número de serie en la siguiente tabla. Necesitará los datos del producto para realizar consultas a nuestros representantes o al Departamento de Servicio Técnico.

Datos del producto

Martillo rompedor	TE 500-AVR
Generación	03
N.º de serie	

1.5 Declaración de conformidad

Bajo nuestra exclusiva responsabilidad, declaramos que el producto aquí descrito cumple con las directivas y normas vigentes. Encontrará una reproducción de la declaración de conformidad al final de esta documentación.

La documentación técnica se encuentra depositada aquí:

Hilti Entwicklungsgesellschaft mbH | Zulassung Geräte | Hiltistraße 6 | 86916 Kaufering, DE

2 Seguridad

2.1 Indicaciones generales de seguridad para herramientas eléctricas

⚠ ADVERTENCIA Lea con atención todas las indicaciones de seguridad, instrucciones, ilustraciones y datos técnicos correspondientes a esta herramienta eléctrica. La negligencia en el cumplimiento de las instrucciones que se describen a continuación podría provocar descargas eléctricas, incendios o lesiones graves.

Conservar todas las instrucciones e indicaciones de seguridad para futuras consultas.

El término «herramienta eléctrica» empleado en las indicaciones de seguridad se refiere a herramientas eléctricas portátiles, ya sea con cable de red o sin cable, en caso de ser accionadas por batería.



Seguridad en el puesto de trabajo

- ▶ **Mantenga su área de trabajo limpia y bien iluminada.** El desorden o una iluminación deficiente de las zonas de trabajo pueden provocar accidentes.
- ▶ **No utilice la herramienta eléctrica en un entorno con peligro de explosión en el que se encuentren líquidos, gases o polvos inflamables.** Las herramientas eléctricas producen chispas que pueden llegar a inflamar los materiales en polvo o vapores.
- ▶ **Mantenga alejados a los niños y otras personas de su puesto de trabajo al emplear la herramienta eléctrica.** Una distracción le puede hacer perder el control sobre la herramienta.

Seguridad eléctrica

- ▶ **El enchufe de la herramienta eléctrica debe corresponder a la toma de corriente utilizada. No se deberá modificar el enchufe en forma alguna. No utilice enchufes adaptadores para las herramientas eléctricas con puesta a tierra.** Los enchufes sin modificar adecuados a las respectivas tomas de corriente reducen el riesgo de descarga eléctrica.
- ▶ **Evite el contacto corporal con superficies que tengan puesta a tierra, como pueden ser tubos, calefacciones, cocinas y frigoríficos.** El riesgo a quedar expuesto a una sacudida eléctrica es mayor si su cuerpo tiene contacto con tierra.
- ▶ **No exponga las herramientas eléctricas a la lluvia y evite que penetren líquidos en su interior.** El riesgo de recibir descargas eléctricas aumenta si penetra agua en la herramienta eléctrica.
- ▶ **No utilice el cable de conexión para transportar o colgar la herramienta eléctrica ni tire de él para extraer el enchufe de la toma de corriente. Mantenga el cable de conexión alejado de fuentes de calor, aceite, aristas afiladas o piezas móviles.** Los cables de conexión dañados o enredados pueden provocar descargas eléctricas.
- ▶ **Cuando trabaje al aire libre con una herramienta eléctrica, utilice exclusivamente un alargador adecuado para exteriores.** La utilización de un alargador adecuado para su uso en exteriores evita el riesgo de una descarga eléctrica.
- ▶ **Cuando no pueda evitarse el uso de la herramienta eléctrica en un entorno húmedo, utilice un interruptor de corriente de defecto.** La utilización de un interruptor de corriente de defecto evita el riesgo de una descarga eléctrica.

Seguridad de las personas

- ▶ **Permanezca atento, preste atención durante el trabajo y utilice la herramienta eléctrica con prudencia. No utilice una herramienta eléctrica si está cansado, ni tampoco después de haber consumido alcohol, drogas o medicamentos.** Un momento de descuido al utilizar la herramienta eléctrica podría producir graves lesiones.
- ▶ **Utilice el equipo de seguridad personal adecuado y lleve siempre gafas protectoras.** El riesgo de lesiones se reduce considerablemente si, según el tipo y la aplicación de la herramienta eléctrica empleada, se utiliza un equipo de seguridad personal adecuado como una mascarilla antipolvo, zapatos de seguridad con suela antideslizante, casco de protección o protección para los oídos.
- ▶ **Evite una puesta en servicio fortuita de la herramienta. Asegúrese de que la herramienta eléctrica está apagada antes de alzarla, transportarla, conectarla a la toma de corriente o insertar la batería.** Si transporta la herramienta eléctrica sujetándola por el interruptor de conexión/desconexión o si introduce el enchufe en la toma de corriente con la herramienta conectada, podría producirse un accidente.
- ▶ **Retire las herramientas de ajuste o llaves fijas antes de conectar la herramienta eléctrica.** Una herramienta o llave colocada en una pieza giratoria puede producir lesiones al ponerse en funcionamiento.
- ▶ **Evite adoptar posturas forzadas. Procure que la postura sea estable y manténgase siempre en equilibrio.** De esta forma podrá controlar mejor la herramienta eléctrica en caso de presentarse una situación inesperada.
- ▶ **Utilice ropa adecuada. No utilice vestimenta amplia ni joyas. Mantenga su pelo, vestimenta y guantes alejados de las piezas móviles.** La vestimenta suelta, las joyas y el pelo largo se pueden enganchar con las piezas en movimiento.
- ▶ **Siempre que sea posible montar equipos de aspiración o captación de polvo, asegúrese de que están conectados y de que se utilizan correctamente.** El uso de un sistema de aspiración de polvo reduce los riesgos derivados del polvo.
- ▶ **No se crea a salvo de cualquier riesgo ni pase por alto ninguna de las normas de seguridad relativas a las herramientas eléctricas, aun cuando esté familiarizado con la herramienta eléctrica y tenga larga experiencia en su uso.** Una actuación negligente puede provocar lesiones graves en cuestión de segundos.



Uso y manejo de la herramienta eléctrica

- ▶ **No sobrecargue la herramienta. Utilice la herramienta eléctrica adecuada para el trabajo que se dispone a realizar.** Con la herramienta eléctrica apropiada podrá trabajar mejor y de modo más seguro dentro del margen de potencia indicado.
- ▶ **No utilice herramientas eléctricas con el interruptor defectuoso.** Las herramientas eléctricas que no se puedan conectar o desconectar son peligrosas y deben repararse.
- ▶ **Extraiga el enchufe de la toma de corriente o retire la batería extraíble antes de efectuar cualquier ajuste en la herramienta, cambiar accesorios o en caso de no utilizar la herramienta durante un tiempo prolongado.** Esta medida preventiva evita el riesgo de arranque accidental de la herramienta eléctrica.
- ▶ **Guarde las herramientas eléctricas que no utilice fuera del alcance de los niños. No permita utilizar la herramienta a ninguna persona que no esté familiarizada con ella o que no haya leído este manual de instrucciones.** Las herramientas eléctricas utilizadas por personas inexpertas son peligrosas.
- ▶ **Cuide su herramienta eléctrica y los accesorios adecuadamente. Compruebe si las piezas móviles de la herramienta funcionan correctamente y sin atascarse, y si existen piezas rotas o deterioradas que pudieran afectar al funcionamiento de la herramienta eléctrica. Encargue la reparación de las piezas defectuosas antes de usar la herramienta eléctrica.** Muchos accidentes son consecuencia de un mantenimiento inadecuado de la herramienta eléctrica.
- ▶ **Mantenga los útiles limpios y afilados.** Las herramientas de corte bien cuidadas y con aristas afiladas se atascan menos y se guían con más facilidad.
- ▶ **Utilice la herramienta eléctrica, los accesorios, útiles de inserción, etc., de acuerdo con estas instrucciones. Para ello, tenga en cuenta las condiciones de trabajo y la tarea que se va a realizar.** El uso de herramientas eléctricas para trabajos diferentes de aquellos para los que han sido concebidas puede resultar peligroso.
- ▶ **Mantenga las empuñaduras y las superficies de contacto secas, limpias y sin residuos de aceite o grasa.** Las empuñaduras y superficies de contacto resbaladizas impiden manejar y controlar la herramienta eléctrica con seguridad en situaciones imprevistas.

Servicio Técnico

- ▶ **Solicite que un profesional lleve a cabo la reparación de su herramienta eléctrica y que utilice exclusivamente piezas de repuesto originales.** Solamente así se garantiza la seguridad de la herramienta eléctrica.

2.2 Indicaciones de seguridad para martillos

- ▶ **Utilice protección para los oídos.** El ruido constante puede reducir la capacidad auditiva.
- ▶ **Utilice las empuñaduras adicionales que se suministran con la herramienta.** La pérdida del control puede causar lesiones.
- ▶ **Sujete la herramienta por las empuñaduras aisladas cuando realice trabajos en los que el útil puede entrar en contacto con cables eléctricos ocultos o con el propio cable de la herramienta.** El contacto con los cables conductores puede traspasar la conductividad a las partes metálicas y producir descargas eléctricas.

2.3 Indicaciones de seguridad adicionales

Seguridad de las personas

- ▶ Utilice la herramienta solo si está en perfecto estado técnico.
- ▶ Nunca efectúe manipulaciones o modificaciones en la herramienta.
- ▶ Durante el proceso de taladrado, proteja la zona opuesta al lugar donde se realiza el trabajo, ya que pueden desprenderse cascotes y causar heridas a otras personas.
- ▶ Sujete siempre la herramienta con ambas manos por las empuñaduras previstas. Mantenga las empuñaduras secas y limpias.
- ▶ Sujete la empuñadura lateral siempre por la parte exterior.
- ▶ Durante el uso de la herramienta, lleve gafas protectoras adecuadas, casco de protección, protección para los oídos, guantes de protección y una mascarilla ligera.
- ▶ Para cambiar el útil, utilice también guantes de protección. El contacto con el útil de inserción puede producir cortes y quemaduras.
- ▶ Utilice protección para los ojos. El material que sale disparado puede ocasionar lesiones en los ojos y en el cuerpo.



- ▶ Antes de iniciar el trabajo, consulte la clase de peligros derivados del polvo resultante del trabajo. Utilice un aspirador de obra con una clasificación de protección homologada conforme a las normas locales sobre la protección contra el polvo.
- ▶ A ser posible, utilice un sistema de aspiración de polvo y un aspirador de polvo portátil apropiado. El polvo procedente de materiales como pinturas con plomo, determinadas maderas, hormigón/mampostería/rocas con cuarzo, así como minerales y metal puede ser nocivo para la salud.
- ▶ Procure una buena ventilación en el lugar de trabajo y utilice en caso necesario una mascarilla adecuada para cada clase de polvo. El contacto con el polvo o su inhalación puede provocar reacciones alérgicas o asfixia al usuario o a personas que se encuentren en su entorno. Existen determinados tipos de polvo, como puede ser el de roble o el de haya, catalogados como cancerígenos, especialmente si se encuentra mezclado con aditivos usados en el tratamiento de la madera (cromato, agente protector para la madera). Únicamente expertos cualificados están autorizados a manipular materiales que contengan asbesto.
- ▶ Efectúe pausas durante el trabajo, así como ejercicios de los dedos para mejorar la circulación. En el caso de trabajos de larga duración, las vibraciones pueden causar alteraciones en el sistema nervioso o en los vasos sanguíneos de los dedos, las manos u otras articulaciones de las manos.

Seguridad eléctrica

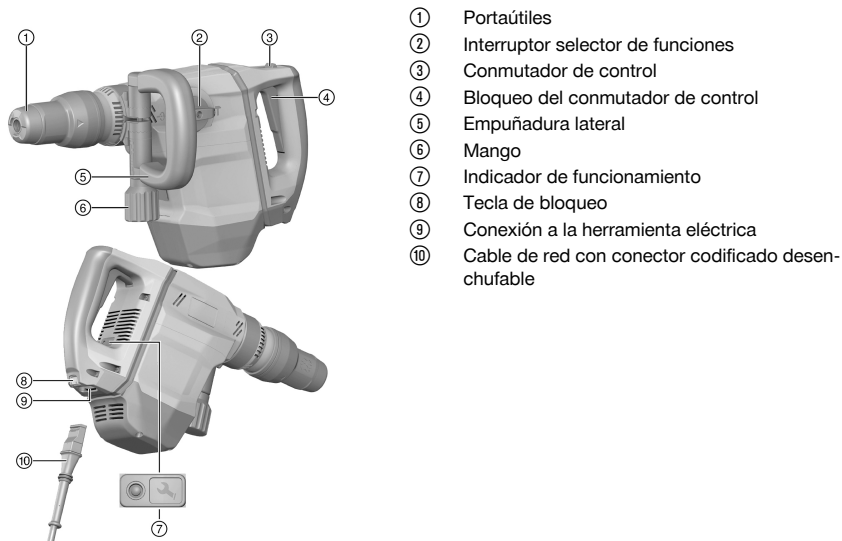
- ▶ Antes de empezar a trabajar, compruebe si la zona de trabajo oculta cables eléctricos, tuberías de gas o cañerías de agua. Las partes metálicas exteriores de la herramienta pueden provocar una descarga eléctrica si se daña por error un cable eléctrico.

Manipulación y utilización segura de las herramientas eléctricas

- ▶ Desconecte inmediatamente la herramienta eléctrica si se bloquea el útil. La herramienta se puede desviar lateralmente.
- ▶ Espere hasta que la herramienta eléctrica se haya detenido antes de dejarla en ninguna superficie.

3 Descripción

3.1 Vista general del producto



- ① Portaútiles
- ② Interruptor selector de funciones
- ③ Conmutador de control
- ④ Bloqueo del conmutador de control
- ⑤ Empuñadura lateral
- ⑥ Mango
- ⑦ Indicador de funcionamiento
- ⑧ Tecla de bloqueo
- ⑨ Conexión a la herramienta eléctrica
- ⑩ Cable de red con conector codificado desenchufable

3.2 Uso conforme a las prescripciones

El producto descrito es un martillo rompedor eléctrico. Es apropiado para trabajos de cincelado de mediana envergadura en hormigón y mampostería.

- ▶ Solo debe funcionar con la frecuencia y tensión de alimentación especificadas en la placa de identificación.



3.3 Active Vibration Reduction (AVR)

El martillo rompedor está equipado con un sistema Active Vibration Reduction (AVR) que reduce mucho las vibraciones.

3.4 Posibles usos indebidos

- Este producto no está indicado para el tratamiento de materiales nocivos para la salud.
- Este producto no es apropiado para su uso en entornos húmedos.
- Este producto no debe utilizarse con frecuencias ni tensiones de alimentación distintas de las indicadas en la placa de identificación.

3.5 Indicador de funcionamiento

El martillo rompedor incorpora un indicador de funcionamiento con señal luminosa.

Estado	Significado
El indicador de funcionamiento se ilumina.	Se ha alcanzado el plazo de funcionamiento de la herramienta hasta la siguiente revisión por parte del Servicio Técnico.
El indicador de funcionamiento parpadea.	Daños en el producto. Encargue la reparación del producto al Servicio Técnico de Hilti .

3.6 Suministro

Martillo rompedor, empuñadura lateral, manual de instrucciones.



Encontrará otros productos del sistema autorizados para su producto en su **Hilti Store** o en Internet, en: www.hilti.group

4 Datos técnicos

4.1 Martillo rompedor



La tensión nominal, la intensidad nominal, la frecuencia y la potencia nominal figuran en la placa de identificación específica del país.

Si se utiliza con un generador o transformador, la potencia útil debe ser de al menos el doble que la potencia nominal indicada en la placa de identificación de la herramienta. La tensión de servicio del transformador o del generador debe encontrarse en todo momento entre un +5 % y un -15 % de la tensión nominal de la herramienta.

	TE 500-AVR
Peso según procedimiento EPTA 01	6,3 kg

4.2 Información sobre la emisión de ruidos y valores de vibración según EN 60745

Los valores de vibración y de presión acústica indicados en estas instrucciones han sido medidos conforme a los procedimientos de medición homologados y pueden utilizarse para la comparación de diferentes herramientas eléctricas. También resultan útiles para realizar un análisis de los riesgos de exposición. Los datos indicados son específicos para las aplicaciones principales de la herramienta eléctrica. Los datos pueden, no obstante, registrar variaciones si la herramienta eléctrica se emplea para otras aplicaciones o con útiles de inserción distintos, o si se ha efectuado un mantenimiento insuficiente de la herramienta. En estos casos, los riesgos de exposición podrían aumentar considerablemente durante toda la sesión de trabajo. A fin de obtener un análisis preciso de los riesgos de exposición, también deben tenerse en cuenta los periodos en los que la herramienta está desconectada o está en marcha, pero no realmente en uso. De este modo, los riesgos de exposición podrían reducirse considerablemente durante toda la sesión de trabajo. Adopte medidas de seguridad adicionales para proteger al usuario del efecto del ruido y de las vibraciones, como por ejemplo: mantenimiento de la herramienta eléctrica y los útiles de inserción, mantener las manos calientes, organización de los procesos de trabajo, etc.



Valores de emisión de ruidos

	TE 500-AVR
Nivel de potencia acústica (L_{WA})	95 dB(A)
Incertidumbre del nivel de potencia acústica (K_{WA})	3 dB(A)
Nivel de intensidad acústica (L_{pA})	84 dB(A)
Incertidumbre del nivel de intensidad acústica (K_{pA})	3 dB(A)

Valores de vibración totales

	TE 500-AVR
Cincelar ($a_{h,Chreq}$)	6,8 m/s ²
Incertidumbre (K)	1,5 m/s ²

5 Manejo**5.1 Preparación del trabajo****⚠ PRECAUCIÓN**

Riesgo de lesiones. Arranque involuntario del producto.

- ▶ Extraiga el enchufe de red antes de realizar ajustes en la herramienta o de cambiar accesorios.

Respete las indicaciones de seguridad y las advertencias presentes en esta documentación y en el producto.

5.1.1 Montaje de la empuñadura lateral 2**⚠ PRECAUCIÓN**

Riesgo de lesiones Pérdida del control del martillo rompedor.

- ▶ Asegúrese de que la empuñadura lateral esté correctamente montada y fijada conforme a las prescripciones.

1. Deslice el soporte (banda de sujeción) y la empuñadura lateral desde delante a través del portaútiles hasta la ranura prevista para ello.
2. Coloque la empuñadura lateral en la posición deseada.
3. Gire el mango para fijar el soporte (banda de sujeción) de la empuñadura lateral.

5.1.2 Conexión del cable de red enchufable**⚠ PRECAUCIÓN**

Riesgo de lesiones por corrientes de fuga en caso de contactos sucios.

- ▶ Conecte la conexión eléctrica desenchufable a la herramienta eléctrica solo en estado limpio, seco y sin tensión.
1. Introduzca la conexión eléctrica desenchufable codificada en la herramienta hasta el tope, hasta que quede enclavada de forma audible.
 2. Inserte el enchufe de la herramienta en la toma de corriente.

5.1.3 Introducción y extracción del útil de inserción 3**⚠ ADVERTENCIA**

Riesgo de lesiones El útil se calienta debido al uso.

- ▶ Utilice guantes de protección para cambiar el útil.

1. Engrase ligeramente el extremo del útil de inserción.
2. Encaje el útil de inserción en el portaútiles introduciéndolo hasta el tope.
 - ▶ El producto está listo para funcionar.
3. Retire el bloqueo del útil hasta el tope y extraiga el útil de inserción.



Utilice únicamente grasa original de **Hilti**. El uso de una grasa inadecuada puede provocar daños en el producto.



5.1.4 Colocar el cincel


PRECAUCIÓN

Riesgo de lesiones Pérdida de control de la dirección del cincel.

- ▶ No trabaje en la posición «Colocar cincel». Lleve el interruptor selector de funciones a la posición «Cincelar» hasta que encaje.



El cincel cuenta con 24 posiciones de ajuste diferentes (en intervalos de 15°). De ese modo, siempre se adopta la mejor posición en los trabajos con cincel plano y cincel de perfilar.

1. Sitúe el interruptor selector de funciones en esta posición .
2. Gire el cincel hasta alcanzar la posición deseada.
3. Sitúe el interruptor selector de funciones en esta posición **T** hasta que encaje.
 - ▶ La herramienta está lista para funcionar.

5.1.5 Extracción del cable de red enchufable de la herramienta eléctrica

1. Extraiga el enchufe de red de la toma de corriente.
2. Pulse la tecla de bloqueo y extraiga la conexión eléctrica desenchufable codificada.
3. Extraiga el cable de red de la herramienta.

5.2 Procedimiento de trabajo

ADVERTENCIA

Riesgo de descarga eléctrica. La ausencia de conductores de puesta a tierra e interruptores de corriente de defecto puede causar lesiones y quemaduras graves.

- ▶ Compruebe que la alimentación eléctrica de la obra, ya sea de la red o del generador, dispone de conductores de puesta a tierra e interruptores de corriente de defecto y de que estos están conectados.
- ▶ No ponga en marcha ningún producto si no se cumplen estas medidas de seguridad.

ADVERTENCIA

Peligro por los cables dañados. Si se daña el cable de red o el alargador durante el trabajo, evitar tocar el cable. Extraer el enchufe de red de la toma de corriente.

- ▶ Compruebe con regularidad el cable de conexión de la herramienta y, en caso de que presentara daños, encargue su sustitución a un profesional experto en la materia.

Encargue la autorización de todos los trabajos a la dirección de la obra.

5.2.1 Cincelado

- ▶ Sitúe el interruptor selector de funciones en esta posición **T**.

5.2.2 Conexión y desconexión de la marcha continua



En el modo de cincelado, el interruptor de conexión y desconexión puede bloquearse estando conectado.

1. Deslice hacia delante el botón de fijación para marcha continua.
2. Pulse completamente el interruptor de conexión y desconexión.
 - ▶ Ahora el producto se encuentra en modo de marcha continua.
3. Deslice hacia atrás el botón de fijación para marcha continua.
 - ▶ El producto se desconecta.



6 Cuidado y mantenimiento

ADVERTENCIA

Peligro de descarga eléctrica. La realización de tareas de cuidado y mantenimiento con el enchufe conectado a la toma de corriente de puede provocar lesiones y quemaduras graves.

- ▶ Extraiga siempre el enchufe de la toma de corriente antes de realizar cualquier tarea de cuidado y mantenimiento.

Cuidado

- Retire con cuidado la suciedad fuertemente adherida.
- Limpie cuidadosamente las rejillas de ventilación con un cepillo seco.
- Limpie la carcasa utilizando únicamente un paño ligeramente humedecido. No utilice limpiadores que contengan silicona, ya que podría afectar a las piezas de plástico.

Mantenimiento

ADVERTENCIA

Riesgo de descarga eléctrica. Las reparaciones indebidas en componentes eléctricos pueden producir lesiones graves y quemaduras.

- ▶ Las reparaciones de la parte eléctrica sólo puede llevarlas a cabo un técnico electricista cualificado.
- Compruebe con regularidad si las piezas visibles están dañadas o si los elementos de manejo funcionan correctamente.
- No utilice el producto si presenta daños o fallos que afecten al funcionamiento. Llévela de inmediato al Servicio Técnico de **Hilti** para que la reparen.
- Coloque todos los dispositivos de protección después de las tareas de cuidado y mantenimiento y compruebe su correcto funcionamiento.



Para garantizar un correcto funcionamiento, utilice exclusivamente piezas de repuesto y material de consumo originales. Puede encontrar piezas de repuesto, consumibles y accesorios para su producto que nosotros mismos comercializamos en **Hilti Store** o en: www.hilti.group.

7 Transporte y almacenamiento

- No transporte la herramienta eléctrica con el útil insertado.
- Almacene la herramienta eléctrica siempre con el enchufe desconectado.
- Seque la herramienta y guárdela fuera del alcance de niños y personas no autorizadas.
- Compruebe si la herramienta eléctrica presenta daños tras haber estado almacenada durante mucho tiempo o haber sido transportada.

8 Ayuda en caso de averías

Si se producen averías que no estén incluidas en esta tabla o que no pueda solucionar usted, diríjase al Servicio Técnico de **Hilti**.

8.1 Ayuda sobre averías

Anomalía	Posible causa	Solución
El martillo rompedor no se pone en marcha.	Interrumpido el suministro de corriente.	▶ Conecte otra herramienta eléctrica y compruebe si funciona.
	El bloqueo de arranque electrónico permanece activo después de una interrupción de la alimentación de corriente.	▶ Desconecte la herramienta y vuélvala a conectar.
	Generador en modo de reposo.	▶ Aplique una carga al generador utilizando un segundo consumidor (p. ej., una lámpara de obras). Desconecte a continuación la herramienta y vuélvala a conectar.



Anomalía	Posible causa	Solución
El martillo rompedor no se pone en marcha.	Existe un fallo en la herramienta.	► Encargue la reparación del producto al Servicio Técnico de Hilti .
	Carbón desgastado.	► Encargue la revisión a un técnico cualificado y su sustitución en caso necesario.
Sin percusión.	Herramienta demasiado fría.	► Apoye el martillo rompedor en la superficie de trabajo y déjelo funcionando con la marcha en vacío. Repita esta acción si es necesario hasta que funcione el mecanismo de percusión.
El martillo rompedor no des- arrolla toda la potencia.	El alargador es demasiado largo o no tiene la sección transversal suficiente.	► Utilice un alargador con una longitud permitida o con una sección transversal suficiente.
	Conmutador de control no pulsado por completo.	► Presione el conmutador de control hasta el tope.
El cincel no se puede desblo- quear.	El portaútiles no está retirado por completo.	► Retire el bloqueo del útil hasta el tope y extraiga el útil.
El indicador de funciona- miento parpadea.	Existe un fallo en la herramienta.	► Encargue la reparación del producto al Servicio Técnico de Hilti .
El indicador de funciona- miento se ilumina.	Carbón desgastado.	► Encargue la revisión a un técnico cualificado y su sustitución en caso necesario.
	Daños en la herramienta o se ha alcanzado el plazo de funciona- miento de la herramienta hasta la siguiente revisión por parte del Servicio Técnico.	► Encargue la reparación del producto solo al Servicio Técnico de Hilti .

9 Reciclaje

Las herramientas **Hilti** están fabricadas en su mayor parte con materiales reutilizables. La condición para dicha reutilización es una separación adecuada de los materiales. En muchos países, **Hilti** recoge las herramientas usadas para su recuperación. Pregunte en el Servicio de Atención al Cliente de **Hilti** o a su asesor de ventas.



- No deseche las herramientas eléctricas, los aparatos eléctricos ni las baterías junto con los residuos domésticos.

10 RoHS (Directiva sobre restricciones a la utilización de sustancias peligrosas)

Puede ver la tabla de sustancias peligrosas en los siguientes enlaces: qr.hilti.com/rxxx.

Al final de esta documentación encontrará, en forma de código QR, un enlace a la tabla sobre la directiva RoHS.

11 Garantía del fabricante

- Si tiene alguna consulta acerca de las condiciones de la garantía, póngase en contacto con su sucursal local de **Hilti**.



Manual de instruções original

1 Indicações sobre o Manual de instruções

1.1 Relativamente a este Manual de instruções

- Antes da colocação em funcionamento, leia este manual de instruções. Esta é a condição para um trabalho seguro e um manuseamento sem problemas.
- Tenha em atenção as instruções de segurança e as advertências neste Manual de instruções e no produto.
- Guarde o manual de instruções sempre junto do produto e entregue-o a outras pessoas apenas juntamente com este manual de instruções.

1.2 Explicação dos símbolos

1.2.1 Advertências

As advertências alertam para perigos durante a utilização do produto. São utilizadas as seguintes palavras de aviso:

PERIGO

PERIGO !

- ▶ Indica perigo iminente que pode originar acidentes pessoais graves ou até mesmo fatais.

AVISO

AVISO !

- ▶ Indica um possível perigo que pode causar graves ferimentos pessoais, até mesmo fatais.






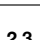
CUIDADO

CUIDADO !

- ▶ Indica uma situação potencialmente perigosa que pode originar ferimentos corporais ou danos materiais.


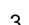


1.2.2 Símbolos no manual de instruções

Neste manual de instruções são utilizados os seguintes símbolos:

	Consultar o manual de instruções
	Instruções de utilização e outras informações úteis
	Manuseamento com materiais recicláveis
	Não deitar as ferramentas eléctricas e baterias no lixo doméstico
	Bateria de iões de lítio Hilti
	Carregador Hilti

1.2.3 Símbolos nas figuras

Em figuras são utilizados os seguintes símbolos:

	Estes números remetem para a figura respectiva no início do presente manual de instruções.
	A numeração reproduz uma sequência dos passos de trabalho na imagem e pode divergir dos passos de trabalho no texto.
	Na figura Vista geral são utilizados números de posição que fazem referência aos números da legenda na secção Vista geral do produto .
	Este símbolo pretende despertar a sua atenção durante o manuseamento do produto.



1.3 Explicação dos símbolos

1.3.1 Símbolos no produto

No produto são utilizados os seguintes símbolos:

	Cinzelar
	Posicionar o cinzel
	Classe II de protecção (com duplo isolamento)
n_0	Velocidade nominal de rotação sem carga
	Use luvas de protecção

1.4 Dados informativos sobre o produto

Os produtos destinam-se ao utilizador profissional e só podem ser operados, mantidos e reparados por pessoal autorizado, devidamente qualificado. Estas pessoas deverão estar informadas em particular sobre os potenciais perigos. O produto e seu equipamento auxiliar podem representar perigo se usados incorrectamente por pessoas não qualificadas ou se usados para fins diferentes daqueles para os quais foram concebidos.

A designação e o número de série são indicados na placa de características.

- ▶ Registe o número de série na tabela seguinte. Precisa dos dados do produto para colocar questões ao nosso representante ou posto de serviço de atendimento aos clientes.

Dados do produto

Martelo demolidor	TE 500-AVR
Geração	03
N.º de série	

1.5 Declaração de conformidade

Declaramos sob nossa exclusiva responsabilidade que o produto aqui descrito está em conformidade com as directivas e normas em vigor. Na parte final desta documentação encontra uma reprodução da declaração de conformidade.

As documentações técnicas estão aqui guardadas:

Hilti Entwicklungsgesellschaft mbH | Zulassung Geräte | Hiltistraße 6 | 86916 Kaufering, DE

2 Segurança

2.1 Normas de segurança gerais para ferramentas eléctricas

⚠ AVISO Leia todas as normas de segurança, instruções, imagens e dados técnicos, com os quais esta ferramenta eléctrica está equipada. O não cumprimento das instruções a seguir pode resultar em choque eléctrico, incêndio e/ou ferimentos graves.

Guarde bem todas as normas de segurança e instruções para futura referência.

O termo "ferramenta eléctrica" utilizado nas normas de segurança refere-se a ferramentas com ligação à corrente eléctrica (com cabo de alimentação) ou a ferramentas a bateria (sem cabo).

Segurança no posto de trabalho

- ▶ **Mantenha a sua área de trabalho limpa e bem iluminada.** Locais desarrumados ou mal iluminados podem ocasionar acidentes.
- ▶ **Não utilize a ferramenta eléctrica em ambientes explosivos ou na proximidade de líquidos ou gases inflamáveis.** Ferramentas eléctricas produzem faíscas que podem provocar a ignição de pó e vapores.
- ▶ **Mantenha crianças e terceiros afastados durante os trabalhos.** Distracções podem conduzir à perda de controlo sobre a ferramenta.



Segurança eléctrica

- ▶ **A ficha da ferramenta eléctrica deve servir na tomada. A ficha não deve ser modificada de modo algum. Não utilize quaisquer adaptadores com ferramentas eléctricas com ligação terra.** Fichas originais (não modificadas) e tomadas adequadas reduzem o risco de choque eléctrico.
- ▶ **Evite o contacto do corpo com superfícies ligadas à terra, como, por exemplo, canos, radiadores, fogões e frigoríficos.** Existe um risco elevado de choque eléctrico se o corpo estiver com ligação à terra.
- ▶ **As ferramentas eléctricas não devem ser expostas à chuva nem à humidade.** A infiltração de água numa ferramenta eléctrica aumenta o risco de choque eléctrico.
- ▶ **Não use o cabo de ligação para transportar, pendurar ou desligar a ferramenta eléctrica da tomada. Mantenha o cabo de ligação afastado de calor, óleo, arestas vivas ou partes em movimento.** Cabos de ligação danificados ou emaranhados aumentam o risco de choques eléctricos.
- ▶ **Quando operar uma ferramenta eléctrica ao ar livre, utilize apenas cabos de extensão próprios para utilização no exterior.** A utilização de um cabo de extensão próprio para utilização no exterior reduz o risco de choques eléctricos.
- ▶ **Utilize um disjuntor diferencial se não puder ser evitada a utilização da ferramenta eléctrica em ambiente húmido.** A utilização de um disjuntor diferencial reduz o risco de choque eléctrico.

Segurança física

- ▶ **Esteja alerta, observe o que está a fazer, e tenha prudência ao trabalhar com uma ferramenta eléctrica. Se estiver cansado ou sob influência de drogas, álcool ou medicamentos não efectue nenhum trabalho com ferramentas eléctricas.** Um momento de distração ao operar a ferramenta eléctrica pode causar ferimentos graves.
- ▶ **Use equipamento de segurança. Use sempre óculos de protecção.** Equipamento de segurança, como, por exemplo, máscara antipoeiras, sapatos de segurança antiderrapantes, capacete de segurança ou protecção auricular, de acordo com o tipo e aplicação da ferramenta eléctrica, reduzem o risco de lesões.
- ▶ **Evite um arranque involuntário. Assegure-se de que a ferramenta eléctrica está desligada antes de a ligar à fonte de alimentação e/ou à bateria, pegar nela ou a transportar.** Transportar a ferramenta eléctrica com o dedo no interruptor ou ligar uma ferramenta à tomada com o interruptor ligado (ON) pode resultar em acidentes.
- ▶ **Remova quaisquer chaves de ajuste (chaves de fenda), antes de ligar a ferramenta eléctrica.** Um acessório ou chave deixado preso numa parte rotativa da ferramenta pode causar ferimentos.
- ▶ **Evite posturas corporais desfavoráveis. Mantenha sempre uma posição correcta, em perfeito equilíbrio.** Desta forma será mais fácil manter o controlo sobre a ferramenta eléctrica em situações inesperadas.
- ▶ **Use roupa apropriada. Não use roupa larga ou jóias. Mantenha o cabelo, vestuário e luvas afastados das peças móveis.** Roupas largas, jóias ou cabelos compridos podem ficar presos nas peças móveis.
- ▶ **Se poderem ser montados sistemas de remoção e de recolha de pó, assegure-se de que estes estão ligados e são utilizados correctamente.** A utilização de um sistema de remoção de pó pode reduzir os perigos relacionados com a exposição ao mesmo.
- ▶ **Não se acomode numa falsa sensação de segurança e não ignore os regulamentos de segurança para ferramentas eléctricas, mesmo se estiver familiarizado com a ferramenta eléctrica após numerosas utilizações.** Agir de forma descuidada pode causar ferimentos graves dentro duma fracção de segundo.

Utilização e manuseamento da ferramenta eléctrica

- ▶ **Não sobrecarregue a ferramenta. Use para o seu trabalho a ferramenta eléctrica correcta.** Com a ferramenta eléctrica adequada obterá maior eficiência e segurança se respeitar os seus limites.
- ▶ **Não utilize a ferramenta eléctrica se o interruptor estiver defeituoso.** Uma ferramenta eléctrica que já não possa ser accionada pelo interruptor é perigosa e deve ser reparada.
- ▶ **Retire a ficha da tomada e/ou remova uma bateria amovível antes de efectuar ajustes na ferramenta, substituir acessórios ou guardar a ferramenta.** Esta medida preventiva evita o accionamento accidental da ferramenta eléctrica.
- ▶ **Guarde ferramentas eléctricas não utilizadas fora do alcance das crianças. Não permita que a ferramenta seja utilizada por pessoas não familiarizadas com a mesma ou que não tenham lido estas instruções.** Ferramentas eléctricas operadas por pessoas não treinadas são perigosas.
- ▶ **Faça uma manutenção regular de ferramentas eléctricas e acessórios. Verifique se as partes móveis funcionam perfeitamente e não emperram ou se há peças quebradas ou danificadas que possam influenciar o funcionamento da ferramenta eléctrica.** Peças danificadas devem



ser reparadas antes da utilização da ferramenta. Muitos acidentes são causados por ferramentas eléctricas com manutenção deficiente.

- ▶ **Mantenha as ferramentas de corte sempre afiadas e limpas.** Acessórios com gumes afiados tratados correctamente emperram menos e são mais fáceis de controlar.
- ▶ **Utilize a ferramenta eléctrica, acessórios, bits, etc., de acordo com estas instruções. Tome também em consideração as condições de trabalho e o trabalho a ser efectuado.** A utilização da ferramenta eléctrica para outros fins além dos previstos, pode ocasionar situações de perigo.
- ▶ **Mantenha punhos e respectivas superfícies secos, limpos e isentos de óleo e gordura.** Punhos e superfícies afins escorregadios não permitem um manuseamento e controlo seguro da ferramenta eléctrica em situações imprevistas.

Manutenção

- ▶ **A sua ferramenta eléctrica só deve ser reparada por pessoal qualificado e só devem ser utilizadas peças sobressalentes originais.** Isto assegurará que a segurança da ferramenta eléctrica se mantenha.

2.2 Normas de segurança para martelos

- ▶ **Use protecção auricular.** Ruído em excesso pode levar à perda de audição.
- ▶ **Utilize os punhos auxiliares fornecidos com a ferramenta.** A perda de controlo da ferramenta pode causar ferimentos.
- ▶ **Segure a ferramenta pelas áreas isoladas dos punhos, quando executar trabalhos onde o acessório pode encontrar cabos eléctricos encobertos ou o próprio cabo de rede.** O contacto com um cabo sob tensão também pode colocar partes metálicas da ferramenta sob tensão e causar um choque eléctrico.

2.3 Normas de segurança adicionais

Segurança física

- ▶ Utilize a ferramenta apenas em perfeitas condições técnicas.
- ▶ Nunca manipule ou altere a ferramenta.
- ▶ Ao realizar trabalhos de perfuração, vede a área que se encontra do lado oposto dos trabalhos. Restos de demolição podem desprender-se e/ou cair e ferir outras pessoas.
- ▶ Segure a ferramenta sempre com as duas mãos nos punhos previstos para o efeito. Mantenha os punhos secos e limpos.
- ▶ Agarre o punho auxiliar sempre pelo lado exterior.
- ▶ Durante a utilização da ferramenta, use óculos de protecção adequados, capacete de protecção, protecção auricular, luvas de protecção e máscara antipoeiras.
- ▶ Também deve usar luvas de protecção durante a substituição de acessórios. Tocar no acessório pode causar ferimentos por corte e queimaduras.
- ▶ Utilize óculos de protecção. Os estilhaços podem provocar ferimentos corporais, nomeadamente nos olhos.
- ▶ Antes de iniciar os trabalhos, apure a classe de perigo do pó gerado. Utilize um aspirador industrial com protecção aprovada e que esteja de acordo com as regulamentações locais sobre emissão de poeiras nocivas para o ambiente.
- ▶ Se possível, utilize uma aspiração de pó e um removedor de pó móvel adequado. Pós de materiais, como tinta com chumbo, algumas madeiras, betão/alvenaria/rochas quartzíferas, minerais e metal podem ser nocivos.
- ▶ Garanta uma boa ventilação do local de trabalho e, se necessário, use uma máscara de protecção respiratória, adequada para o respectivo pó. O contacto ou inalação do pó podem provocar reacções alérgicas e/ou doenças das vias respiratórias no utilizador ou em pessoas que se encontrem nas proximidades. Determinados pós, como os de carvalho ou de faia, são considerados cancerígenos, especialmente em combinação com aditivos para o tratamento de madeiras (cromato, produtos para a preservação de madeiras). Material que contenha amianto só pode ser manuseado por pessoal especializado.
- ▶ Faça pausas durante o trabalho e exercícios para melhorar a circulação sanguínea nos dedos. Ao trabalhar durante períodos mais prolongados, as vibrações podem causar perturbações nos vasos sanguíneos ou no sistema nervoso nos dedos, mãos ou pulsos.

Segurança eléctrica

- ▶ Antes de iniciar os trabalhos, verifique o local de trabalho relativamente a cabos eléctricos encobertos, bem como tubos de gás e água. Partes metálicas externas da ferramenta podem causar um choque eléctrico se, inadvertidamente, danificarem uma linha eléctrica.

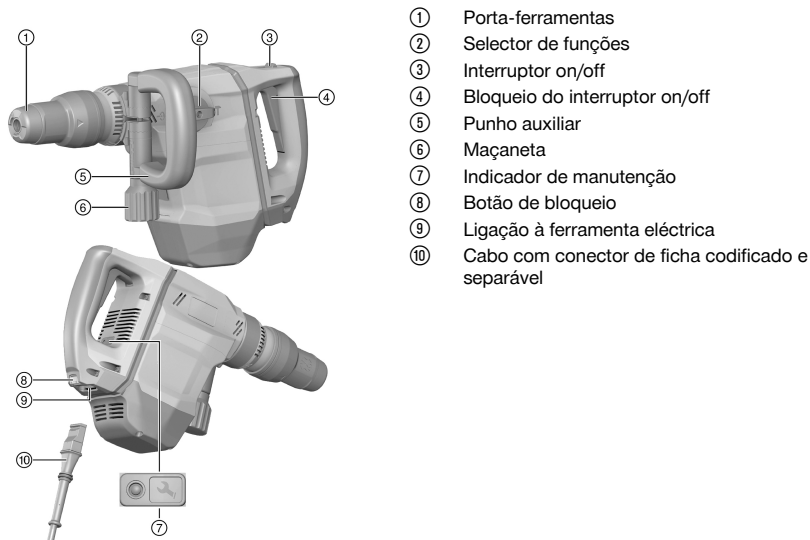


Utilização e manutenção de ferramentas eléctricas

- ▶ Desligue imediatamente a ferramenta eléctrica, se o instrumento bloquear. A ferramenta pode desviar-se para os lados.
- ▶ Aguarde até que a ferramenta eléctrica esteja parada, antes de a pousar.

3 Descrição

3.1 Vista geral do produto



- ① Porta-ferramentas
- ② Selector de funções
- ③ Interruptor on/off
- ④ Bloqueio do interruptor on/off
- ⑤ Punho auxiliar
- ⑥ Maçaneta
- ⑦ Indicador de manutenção
- ⑧ Botão de bloqueio
- ⑨ Ligação à ferramenta eléctrica
- ⑩ Cabo com conector de ficha codificado e separável

3.2 Utilização correcta

O produto descrito é um martelo demolidor eléctrico. Está concebido para trabalhos de cinzelamento de carga média em alvenaria e betão.

- ▶ Certifique-se de que a corrente eléctrica à qual a ferramenta é ligada está de acordo com a mencionada na placa de características.

3.3 Active Vibration Reduction (AVR)

O martelo demolidor está equipado com um sistema Active Vibration Reduction (AVR) que reduz muito a vibração.

3.4 Possível uso incorrecto

- Este produto não é adequado para trabalhar materiais nocivos para a saúde.
- Este produto não é adequado para a realização de trabalhos num ambiente húmido.
- Este produto não pode ser utilizado com uma tensão e frequência de rede diferente da indicada na placa de características.

3.5 Indicador de manutenção

O martelo demolidor está equipado com um indicador de manutenção com sinal luminoso.

Estado	Significado
Indicador de manutenção está aceso.	Foi atingido o tempo de trabalho predeterminado e requer-se agora uma manutenção.
Indicador de manutenção está a piscar.	Dano no produto. Mandar reparar o produto no Centro de Assistência Técnica Hilti .



3.6 Incluído no fornecimento

Martelo demolidor, punho auxiliar, manual de instruções.



Poderá encontrar outros produtos de sistema aprovados para o seu produto na sua **Hilti Store** ou em: www.hilti.group

4 Características técnicas

4.1 Martelo demolidor



Consulte a tensão nominal, corrente nominal, frequência e potência nominal na sua placa de características específica do país.

Em caso de alimentação por um gerador ou transformador, a respectiva potência de saída mínima deverá corresponder ao dobro da potência nominal indicada na placa de características da ferramenta. A tensão de serviço do transformador ou gerador deverá encontrar-se sempre entre +5% e -15% da tensão nominal da ferramenta.

	TE 500-AVR
Peso de acordo com o procedimento EPTA 01	6,3 kg

4.2 Informação sobre o ruído e valores de vibração em conformidade com a EN 60745

Os valores de pressão acústica e de vibração indicados nestas instruções foram medidos em conformidade com um processo de medição normalizado, podendo ser utilizados para a intercomparação de ferramentas eléctricas, sendo também apropriados para uma estimativa preliminar das exposições. Os dados indicados representam as aplicações principais da ferramenta eléctrica. No entanto, se a ferramenta eléctrica for utilizada para outras aplicações, com acessórios diferentes dos indicados ou devido a manutenção insuficiente, os dados podem diferir. Isso pode aumentar notoriamente as exposições durante todo o período de trabalho. Para uma avaliação exacta das exposições, também se devem considerar os períodos durante os quais a ferramenta está desligada ou, embora ligada, não esteja de facto a ser utilizada. Isso pode reduzir notoriamente as exposições durante todo o período de trabalho. Defina medidas de segurança adicionais para protecção do operador contra a acção do ruído e/ou de vibrações, como, por exemplo: manutenção da ferramenta eléctrica e dos acessórios, medidas para manter as mãos quentes, organização dos processos de trabalho.

Valores de emissão de ruído

	TE 500-AVR
Nível de emissão sonora (L_{WA})	95 dB(A)
Incerteza para nível de emissão sonora (K_{WA})	3 dB(A)
Nível de pressão da emissão sonora (L_{pA})	84 dB(A)
Incerteza para nível de pressão da emissão sonora (K_{pA})	3 dB(A)

Valor total das vibrações

	TE 500-AVR
Cinzelar ($a_{h,Cheq}$)	6,8 m/s ²
Incerteza (K)	1,5 m/s ²

5 Utilização

5.1 Preparação do local de trabalho



CUIDADO

Risco de ferimentos! Arranque inadvertido do produto.

- ▶ Retire a ficha antes de efectuar ajustes na ferramenta ou substituir acessórios.

Tenha em atenção as instruções de segurança e as advertências nesta documentação e no produto.



5.1.1 Montagem do punho auxiliar 2

CUIDADO

Risco de ferimentos Perda do controlo sobre o martelo demolidor.

- ▶ Certifique-se de que o punho auxiliar está correctamente montado e devidamente apertado.

1. Deslize a abraçadeira (cinta de aperto) e o punho auxiliar a partir da frente sobre o porta-ferramentas até à ranhura prevista para o efeito.
2. Coloque o punho auxiliar na posição desejada.
3. Rode a maçaneta para apertar a abraçadeira (cinta de aperto) do punho auxiliar.

5.1.2 Ligar o cabo de alimentação encaixável

CUIDADO

Risco de ferimentos devido a correntes de fuga no caso de contactos sujos.

- ▶ Ligue o conector eléctrico separável à ferramenta eléctrica só desligado da corrente e em estado limpo e seco.

1. Introduza, até encostar, o conector eléctrico separável codificado na ferramenta, até o travamento engatar audivelmente.
2. Ligue a ficha de rede à tomada.

5.1.3 Colocar/retirar o acessório 3

AVISO

Risco de ferimentos O acessório fica quente após utilização prolongada.

- ▶ Use luvas de protecção quando substituir os acessórios.

1. Lubrifique ligeiramente o encabadouro do acessório.
2. Encaixe o acessório até ao encosto no porta-ferramentas e deixe-o engatar.
 - ▶ O produto está operacional.
3. Puxe o bloqueio da ferramenta para trás, até ao batente, e retire o acessório.



Utilize apenas massa lubrificante original da **Hilti**. A utilização de uma massa lubrificante não adequada pode provocar danos no produto.

5.1.4 Posicionar o cinzel 4

CUIDADO

Risco de ferimentos Perda do controlo sobre a direcção de cinzelamento.

- ▶ Não trabalhe na posição "Posicionar cinzel". Coloque o selector de funções na posição "Cinzelar", até engatar.



O cinzel pode ser fixo em 24 posições diferentes (em incrementos de 15°). Assim, tanto os cinzéis planos como os cinzéis côncavos podem ser ajustados na posição ideal para o trabalho em causa.

1. Coloque o selector de funções nesta posição .
2. Rode o cinzel para a posição desejada.
3. Coloque o selector de funções nesta posição **T**, até engatar.
 - ▶ A ferramenta está pronta para funcionar.

5.1.5 Desligar o cabo de alimentação encaixável da ferramenta

1. Retire a ficha de rede da tomada.
2. Pressione a tecla de bloqueio e puxe para fora o conector eléctrico separável codificado.
3. Puxe o cabo de alimentação para fora da ferramenta.



5.2 Trabalhar

AVISO

Perigo devido a choque eléctrico! Condutores de terra e disjuntores diferenciais em falta podem provocar ferimentos graves e queimaduras.

- ▶ Verifique que na linha de alimentação eléctrica do lado da obra, quer da rede ou do gerador, existem e estão conectados sempre condutores de terra e disjuntores diferenciais.
- ▶ Não coloque um produto em funcionamento sem estas medidas de segurança.


AVISO

Perigo devido a cabo danificado! Se danificar o cabo enquanto trabalha, não lhe toque e desligue o aparelho imediatamente. Retire a ficha de rede da tomada.

- ▶ Verifique o cabo eléctrico regularmente. Se danificado, deve ser imediatamente substituído por um especialista.

Solicite que o engenheiro ou arquitecto da obra autorize todos os trabalhos a realizar!

5.2.1 Cinzelar

- ▶ Coloque o selector de funções nesta posição .

5.2.2 Ligar/desligar o modo "operação continuada"



No modo de cinzelamento, pode bloquear o interruptor on/off no estado de ligado.

1. Empurrar para a frente o botão de bloqueio para operação continuada.
2. Pressione o interruptor on/off o máximo que puder.
 - ▶ O produto trabalha agora em operação continuada.
3. Empurrar para trás o botão de bloqueio para operação continuada.
 - ▶ O produto desliga-se.

6 Conservação e manutenção

AVISO

Perigo devido a choque eléctrico! A conservação e manutenção com a ficha de ligação inserida pode originar ferimentos graves e queimaduras.

- ▶ Retirar sempre a ficha de ligação antes de todos os trabalhos de conservação e manutenção!

Conservação

- Remover a sujidade persistente com cuidado.
- Limpe as saídas de ar cuidadosamente com uma escova seca.
- Limpar a carcaça apenas com um pano ligeiramente humedecido. Não utilizar produtos de conservação que contenham silicone, uma vez que estes poderiam danificar os componentes de plástico.

Manutenção

AVISO

Perigo devido a choque eléctrico! Reparações incorrectas em peças eléctricas podem causar ferimentos e queimaduras graves.

- ▶ As reparações na parte eléctrica apenas podem ser executadas por um electricista especializado.
- Verificar, regularmente, todos os componentes visíveis quanto a danos e os comandos operativos quanto a funcionamento perfeito.
- Em caso de danos e/ou perturbações de funcionamento, não operar o produto. Mandar reparar de imediato pelo Centro de Assistência Técnica **Hilti**.
- Após os trabalhos de conservação e manutenção, aplicar todos os dispositivos de protecção e verificar o respectivo funcionamento.



i Para um funcionamento seguro, utilize apenas peças sobresselentes e consumíveis originais. Poderá encontrar peças sobresselentes, consumíveis e acessórios aprovados por nós para o seu produto no seu **Hilti Store** ou em: **www.hilti.group**.

7 Transporte e armazenamento

- Não transportar a ferramenta eléctrica com o instrumento inserido.
- Armazenar a ferramenta eléctrica sempre com a ficha de rede retirada.
- Armazenar a ferramenta seca e fora do alcance de crianças e pessoas não autorizadas.
- Após transporte ou armazenamento prolongado, antes da utilização, verificar a ferramenta eléctrica quanto a danos.

8 Ajuda em caso de avarias

No caso de avarias que não sejam mencionadas nesta tabela ou se não conseguir resolvê-las por si mesmo, contacte o nosso Centro de Assistência Técnica **Hilti**.

8.1 Ajuda em caso de avarias

Avaria	Causa possível	Solução
O martelo demolidor não ar-ran-ca.	Não recebe corrente eléctrica.	▶ Insira outra ferramenta eléctrica e verifique o funcionamento.
	O bloqueio electrónico está ac-tivado após uma interrupção de corrente.	▶ Desligue e volte a ligar o dispositivo.
	Gerador em "Sleep Mode".	▶ Aplique uma carga ao gerador, conectando um outro consumi-dor (p. ex., uma lâmpada). Em seguida, desligue e volte a ligar a ferramenta.
	Avaria na ferramenta.	▶ Mande reparar o produto no Centro de Assistência Técnica Hilti .
	As escovas de carvão estão gas-tas.	▶ Mandar verificar por um elec-tricista especializado. Mandar substituir se necessário.
Não tem percussão.	Ferramenta demasiado fria.	▶ Coloque o martelo demolidor sobre o material base e deixe-o trabalhar em vazio. Se necessário, repita, até o mecanismo de percussão trabalhar.
Frac-a performance do mar-telo demolidor.	Extensão de cabo demasiado comprida e/ou com secção inadequada.	▶ Utilize uma extensão de cabo com comprimento permitido e/ou com secção suficiente.
	O interruptor on/off não foi com-pletamente pressionado.	▶ Pressione completamente o interruptor on/off.
Não é possível soltar o cinzel do bloqueio.	O mandril não está completamente puxado para trás.	▶ Puxe o casquilho de bloqueio o máximo possível para trás e retire o acessório.
Indicador de manutenção está a piscar.	Avaria na ferramenta.	▶ Mande reparar o produto no Centro de Assistência Técnica Hilti .
Indicador de manutenção está aceso.	As escovas de carvão estão gas-tas.	▶ Mandar verificar por um elec-tricista especializado. Mandar substituir se necessário.



Avaria	Causa possível	Solução
Indicador de manutenção está aceso.	Avaria na ferramenta ou alcançado o tempo de trabalho para uma manutenção programada.	► Mandar reparar o produto apenas pelo Centro de Assistência Técnica Hilti .

9 Reciclagem

As ferramentas **Hilti** são, em grande parte, fabricadas com materiais recicláveis. Um pré-requisito para a reciclagem é que esses materiais sejam devidamente separados. Em muitos países, a **Hilti** aceita a sua ferramenta usada para reutilização. Para mais informações dirija-se ao Serviço de Clientes **Hilti** ou ao seu vendedor.



- Não deite as ferramentas eléctricas, aparelhos electrónicos e baterias no lixo doméstico!

10 RoHS (directiva relativa à limitação de utilização de substâncias perigosas)

Nas seguintes hiperligações encontra a tabela Substâncias perigosas: qr.hilti.com/rxxx.

Na parte final desta documentação encontra sob a forma de código QR uma hiperligação para a tabela RoHS.

11 Garantia do fabricante

- Se tiver dúvidas em relação às condições de garantia, contacte o seu parceiro **Hilti** local.



1 بيانات بخصوص دليل الاستعمال

1.1 خاص بدليل الاستعمال هذا

- اقرأ دليل الاستعمال قبل التشغيل. يعتبر هذا شرطاً للعمل بشكل آمن والاستخدام بدون اختلالات.
- احرص على مراعاة إرشادات الأمان والإرشادات التحذيرية الواردة دليل الاستعمال هذا والمدونة على المنتج.
- احتفظ بدليل الاستعمال دائماً مع هذا المنتج، ولا تعطي المنتج لأشخاص آخرين إلا مع إرفاق دليل الاستعمال هذا معه.

2.1 شرح العلامات

1.2.1 إرشادات تحذيرية

تنبه الإرشادات التحذيرية إلى الأخطار الناشئة عند التعامل مع الجهاز. يتم استخدام الكلمات الدلالية التالية:



خطر

خطر!

- ◀ تشير لخطر مباشر يؤدي لإصابات جسدية خطيرة أو إلى الوفاة.



تحذير

تحذير!

- ◀ تشير لخطر محتمل قد يؤدي لإصابات جسدية خطيرة أو إلى الوفاة.



احترس:

احترس!

- ◀ تشير لموقف خطر محتمل يمكن أن يؤدي لإصابات جسدية أو أضرار مادية.

2.2.1 الرموز في دليل الاستعمال

يتم استخدام الرموز التالية في دليل الاستعمال هذا:

يُراعى دليل الاستعمال	
إرشادات الاستخدام ومعلومات أخرى مفيدة	
التعامل مع مواد قابلة لإعادة التدوير	
لا تتخلص من الأجهزة الكهربائية البطاريات ضمن القمامة المنزلية	
Hilti بطارية أيونات الليثيوم	
Hilti جهاز الشحن	

3.2.1 الرموز في الصور

تستخدم الرموز التالية في الرسوم التوضيحية:

تشير هذه الأعداد إلى الصورة المعنية في بداية دليل الاستعمال هذا.	2
ترقيم الصور يمثل ترتيب خطوات العمل في الصور، وقد يختلف عن ترقيم خطوات العمل في النص.	3
يتم استخدام أرقام المواضع في صورة العرض العام وهي تشير إلى أرقام تعليق الصورة في فصل عرض عام للمنتج.	11
هذه العلامة من شأنها أن تُثير انتباهك جيداً عند التعامل مع المنتج.	



3.1 شرح العلامات

1.3.1 الرموز على المنتج

يتم استخدام الرموز التالية على المنتج:

النقر بالإزميل	T
تحديد موضع الإزميل	⊖
فئة الحماية II (عزل مزدوج)	□
عدد اللغات الاسمي في الوضع الممايد	n ₀
استخدم قفازا واقيا	

4.1 معلومات المنتج

منتجات **HILTI** مصممة للمستخدمين المحترفين ويقصر استعمالها وصيانتها وإصلاحها على الأشخاص المعتمدين والمدربين جيدا. هؤلاء الأشخاص يجب أن يكونوا قد تلقوا تدريباً خاصاً على الأخطار الطارئة. قد يتسبب الجهاز وأدواته المساعدة في حدوث أخطار إذا تم التعامل معها بشكل غير سليم فنياً من قبل أشخاص غير مدربين أو تم استخدامها بشكل غير مطابق للتعليمات. يوجد مسمى الطراز والرقم المسلسل على لوحة الصنع.

◀ انقل الرقم المسلسل في الجدول التالي. ستحتاج إلى بيانات المنتج في حالة الاستفسارات الموجهة إلى ممثلينا أو مركز الخدمة.

بيانات المنتج

الإزميل الدقاق	TE 500-AVR
الجيل	03
الرقم المسلسل	

5.1 بيان المطابقة

نقر على مسئوليتنا الفردية بأن المنتج المشروع هنا متوافق مع التشريعات والمواصفات المعمول بها. تجد صورة لبيان المطابقة في نهاية هذا المستند.

المستندات الفنية محفوظة هنا:

Hilti Entwicklungsgesellschaft mbH | Zulassung Geräte | Hiltistraße 6 | 86916 Kaufering, DE

2 السلامة

1.2 إرشادات السلامة العامة المتعلقة بالأدوات الكهربائية

⚠ تحذير احرص على قراءة جميع إرشادات السلامة، التوجيهات، الصور التوضيحية والمواصفات الفنية المرفقة مع هذه الأداة الكهربائية. أي تقصير أو إهمال في الالتزام بالتعليمات التالية قد يتسبب في حدوث صعق كهربائي، نشوب حريق و/أو وقوع إصابات خطيرة.

احتفظ بجميع مستندات إرشادات السلامة والتعليمات لاستخدامها عند الحاجة إليها فيما بعد.

يقصد بمصطلح «الأداة الكهربائية» المذكور في إرشادات السلامة الأدوات الكهربائية المشغلة بالكهرباء (باستخدام كابل الكهرباء) أو الأدوات الكهربائية المشغلة بالبطاريات (بدون كابل الكهرباء).

سلامة مكان العمل

◀ حافظ على نطاق عملك نظيفاً ومضاءً بشكل جيد. الفوضى أو أماكن العمل غير المضاءة يمكن أن تؤدي لوقوع حوادث.

◀ لا تعمل بالأداة الكهربائية في محيط معرض لخطر الانفجار يتواجد به سوائل أو غازات أو أنواع غبار قابلة للاشتعال. الأدوات الكهربائية تولد شرراً يمكن أن يؤدي لإشعال الغبار والأبخرة.

◀ احرص على إبعاد الأطفال والأشخاص الآخرين أثناء استخدام الأداة الكهربائية. في حالة انصراف انتباهك قد تفقد السيطرة على الجهاز.



السلامة الكهربائية

- ◀ يجب أن يكون قابس توصيل الأداة الكهربائية متلائماً مع المقبس. لا يجوز تعديل القابس بأي حال من الأحوال. لا تستخدم قوايس مهايأة مع أدوات كهربائية ذات وصلة أرضي محمية. القوايس غير المعدلة والمقابس الملائمة تقلل من خطر حدوث صدمة كهربائية.
- ◀ تجنب حدوث تلامس للجسم مع أسطح مؤرضة مثل الأسطح الخاصة بالمواسير وأجهزة التدفئة والمواقد والثلاجات. ينشأ خطر متزايد من حدوث صدمة كهربائية عندما يكون جسمك متصلاً بالأرض.
- ◀ أبعد الأدوات الكهربائية عن الأمطار أو البلى. تسرب الماء إلى داخل الأداة الكهربائية يزيد من خطر حدوث صدمة كهربائية.
- ◀ لا تستخدم كابل التوصيل لحمل الأداة الكهربائية أو تعليقها أو لسحب القابس من المقبس. احتفظ بكابل التوصيل بعيداً عن السخونة والزيت والمواف الماددة والأجزاء المتحركة. كابلات التوصيل التالفة أو المتشابكة تزيد من خطر حدوث صعق كهربائي.
- ◀ عندما تعمل بأداة كهربائية في مكان مكشوف، فلا تستخدم سوى كابلات الإطالة المناسبة للعمل في النطاق الخارجي. استخدام كابل إطالة مناسب للعمل في النطاق الخارجي يقلل من خطر حدوث صعق كهربائي.
- ◀ إذا تعذر تجنب تشغيل الأداة الكهربائية في محيط رطب، فاستخدم مفتاح حماية من تسرب التيار. استخدام مفتاح الحماية من تسرب التيار يقلل خطر حدوث صدمة كهربائية.

سلامة الأشخاص

- ◀ كن يقظاً وانتبه لما تفعل وتعامل مع الأداة الكهربائية بتعقل عند العمل بها. لا تستخدم الأداة الكهربائية عندما تكون متعباً أو تمت تأثير المخدرات أو الكحوليات أو العقاقير. فقد يتسبب عدم الانتباه للحظة واحدة أثناء الاستخدام في حدوث إصابات بالغة.
- ◀ ارتد تجهيزات وقاية شخصية وارتد دائماً نظارة واقية. ارتداء تجهيزات وقاية شخصية، مثل قناع الوقاية من الغبار وأحذية الأمان المضادة للانزلاق وخوذة الوقاية أو واقى السمع، تبعاً لنوع واستخدام الأداة الكهربائية، يقلل من خطر الإصابات.
- ◀ تجنب التشغيل بشكل غير مقصود. تأكد أن الأداة الكهربائية مطفاة قبل توصيلها بالكهرباء و/أو بالبطارية وقبل رفعها أو حملها. إذا كان إصبعك على المفتاح عند حمل الأداة الكهربائية أو كان الجهاز في وضع التشغيل عند التوصيل بالكهرباء، فقد يؤدي ذلك لوقوع حوادث.
- ◀ أبعد أدوات الضبط أو مفاتيح ربط البراغي قبل تشغيل الأداة الكهربائية. الأداة أو المفتاح المتواجد في جزء دوار من الجهاز يمكن أن يؤدي لحدوث إصابات.
- ◀ تجنب اتخاذ وضع غير طبيعي للجسم. احرص على أن تكون واقفاً بأمان وحافظ على توازنك في جميع الأوقات. من خلال ذلك تستطيع السيطرة على الأداة الكهربائية بشكل أفضل في المواقف المفاجئة.
- ◀ ارتد ملابس مناسبة. لا ترتد ملابس فضفاضة أو حلي. احرص على أن يكون الشعر والملابس والقفازات بعيدة عن الأجزاء المتحركة. الملابس الفضفاضة أو الحلي أو الشعر الطويل يمكن أن تشبك في الأجزاء المتحركة.
- ◀ إذا أمكن تركيب تجهيزات شطف وتجميع الغبار، فتأكد أنها موصلة ومستخدمة بشكل سليم. استخدام تجهيزة شطف الغبار يمكن أن يقلل الأخطار الناتجة عن الغبار.
- ◀ لا تعتقد بأنك في مأمن عن الخطر ولا تتجاهل تحذيرات السلامة المعنية للأدوات الكهربائية، حتى وإن كنت على دراية بالأداة الكهربائية بعد تكرار استخدامها. التعامل مع الجهاز بدون حذر قد يؤدي إلى وقوع إصابات بالغة في جزء من الثانية.

استخدام الأداة الكهربائية والتعامل معها

- ◀ لا تفرط في التحميل على الجهاز. استخدم الأداة الكهربائية المناسبة للعمل الذي تقوم به. استخدام الأداة الكهربائية المناسبة يتيح لك العمل بشكل أفضل وأكثر أماناً في نطاق العمل المقرر.
- ◀ لا تستخدم أداة كهربائية ذات مفتاح تالف. الأداة الكهربائية التي لم يعد يمكن تشغيلها أو إطفائها تمثل خطورة ويجب إصلاحها.
- ◀ اسحب القابس من المقبس و/أو اخلع البطارية القابلة للخلع من الجهاز قبل إجراء عمليات الضبط، أو استبدال أجزاء الملحقات أو عند ترك الجهاز. هذا الإجراء الوقائي يمنع بدء تشغيل الأداة الكهربائية دون قصد.
- ◀ احتفظ بالأدوات الكهربائية غير المستخدمة بعيداً عن متناول الأطفال. لا تسمح باستخدام الجهاز من قبل أشخاص ليسوا على دراية به أو لم يقرأوا هذه التعليمات. الأدوات الكهربائية خطيرة في حالة استخدامها من قبل أشخاص ليست لديهم الخبرة الواجبة.
- ◀ اعتني جيداً بالأدوات الكهربائية والملحقات. افحص الأجزاء المتحركة من حيث أداؤها لوظيفتها بدون مشاكل وعدم انحصارها وافحصها من حيث وجود أجزاء مكسورة أو متعرضة للضرر يمكن أن تؤثر



- سلبا على وظيفة الأداة الكهربائية، اعمل على إصلاح الأجزاء التالفة قبل استخدام الجهاز. الكثير من الحوادث مصدرها الأدوات الكهربائية التي تم صيانتها بشكل رديء.
- حافظ على أدوات القطع حادة ونظيفة. تتميز أدوات القطع ذات حواف القطع المادة المعتنى بها بدقة بأنها أقل عرضة للتعثُر وأسهل في التعامل.
- استخدم الأداة الكهربائية والملحقات وأدوات العمل وخلافه طبقا لهذه التعليمات. احرص في هذه الأثناء على مراعاة اشتراطات العمل والمهمة المراد تنفيذها. استخدام الأدوات الكهربائية في تطبيقات غير تلك المقررة لها يمكن أن يؤدي لمواقف خطيرة.
- حافظ على المقابض ومواضع المسك في حالة جافة ونظيفة وخالية من الزيت والشحم. المقابض ومواضع المسك الانزلاقية تحول دون استعمال الأداة الكهربائية والتحكم بها بشكل آمن في المواقف غير المتوقعة.

الخدمة

- اعمل على إصلاح أدواتك الكهربائية على أيدي فنيين معتمدين فقط والاقصر على استخدام قطع الغيار الأصلية. وبذلك تتأكد أن سلامة الأداة الكهربائية تظل قائمة.

2.2 إرشادات السلامة الخاصة بالمطارق

- استخدم واقيا للسمع. لذا يرجى مراعاة أن الضجيج الصاخب يمكن أن يُفقدك القدرة على السمع.
- استخدم المقابض الإضافية الموردة مع الجهاز. فقدان السيطرة يمكن أن يؤدي لوقوع إصابات.
- أمسك الجهاز من مواضع المسك المعزولة عند إجراء أعمال يحتمل فيها أن تتلامس أداة الشغل مع أسلاك كهربائية مضيئة أو مع سلك الكهرباء للجهاز ذاته. حيث أن ملامسة سلك يسري فيه التيار الكهربائي يمكن أن ينقل الجهد الكهربائي للأجزاء المعدنية بالجهاز ويؤدي لحدوث صدمة كهربائية.

3.2 إرشادات إضافية للسلامة

سلامة الأشخاص

- اقتصر على استخدام الجهاز وهو في حالة سليمة من الناحية الفنية.
- لا تقم أبدا بأية تدخلات أو تغييرات على الجهاز.
- أثناء أعمال الثقب قم بتأمين النطاق الواقع على الجهة المقابلة للعمل. النشاط المتناثر يمكن أن تتطاير و/أو تسقط وتصيب الآخرين.
- أمسك الجهاز دائما بيدك من المقابض المعنية. حافظ على جفاف ونظافة المقابض.
- أمسك المقبض الجانبي دائما من الخارج.
- احرص أثناء استخدام الجهاز على استعمال نظارة واقية ملائمة وخوذة حماية وواقي للسمع وقفاز واقية وكمامة خفيفة للتنفس.
- ارتد قفازا واقيا أثناء تغيير الأدوات. ملامسة أداة الشغل قد تؤدي لوقوع إصابات بجروح قطعية وإصابة بقوق.
- استخدم واقيا للعينين. النشاط المتطايرة يمكن أن تصيب الجسم والعينين.
- احرص قبل بدء العمل على معرفة فئة خطر الغبار الناشئ عند إجراء العمل. استخدم شفاط غبار أعمال الإنشاءات ذي فئة حماية مصرح بها رسميا ومطابق للتعليمات المحلية الخاصة بالحماية من الغبار.
- استخدم شفاط الغبار ومزيل الغبار المحمول المناسب إن أمكن. الغبار الناتج عن خامات مثل الطلاء المحتوي على الرصاص وبعض أنواع الأخشاب والخرسانة/الجران والصخور المحتوية على الكوارتز والمعادن الصخرية والمعادن هو غبار ضار بالصحة.
- احرص على وجود تهوية جيدة لمكان العمل وارتد عند اللزوم قناع تنفس مخصص لنوعية الغبار المنبعث. ملامسته أو استنشاقه قد يسبب أعراض حساسية و/أو أمراض الجهاز التنفسي للمستخدم أو للأشخاص المتواجدين على مقربة منه. هناك أنواع معينة مسرطنة من الغبار مثل غبار خشب البلوط أو غبار خشب الزان، ولا سيما إذا ارتبطت هذه الأنواع بمواد إضافية لمعالجة الأخشاب (مثل الكروم و مواد حماية الأخشاب). لا يجوز التعامل مع المواد المحتوية على الأسبستوس إلا من قبل فنيين متخصصين.
- خذ قسطا من الراحة أثناء العمل وقم بتمارين استرخاء لسريان الدم في الأصابع بشكل أفضل. عند القيام بأعمال لفترات طويلة فقد يحدث اضطرابات في الأوعية الدموية أو الجهاز العصبي بسبب كثرة الاهتزازات على الأصابع، الأيدي أو معصم اليد.

السلامة الكهربائية

- قبل بدء الأعمال افحص نطاق العمل من حيث وجود توصيلات كهرباء مغطاة أو مواسير للغاز والماء. الأجزاء المعدنية الخارجية بالجهاز يمكن أن تتسبب في صدمة كهربائية، إذا قمت دون قصد بإتلاف إحدى توصيلات التيار.



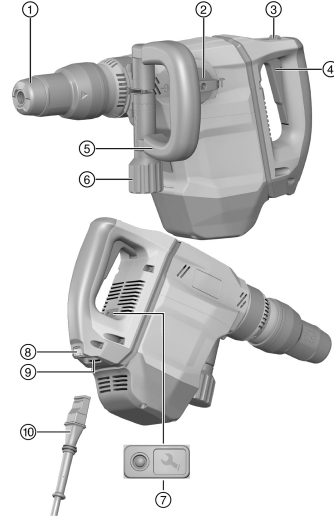
الاستخدام والتعامل بعناية مع الأدوات الكهربائية

- ◀ قم بإيقاف الأداة الكهربائية على الفور، بمجرد تعرض الأداة للإعاقة. يمكن أن ينحرف الجهاز جانبا.
- ◀ قبل التخزين انتظر إلى أن تتوقف الأداة الكهربائية تماما.

3 الشرح

1.3 نظرة عامة على المنتج

- ① طرف تركيب الأدوات
- ② مفتاح اختيار الوظيفة
- ③ مفتاح التحكم
- ④ مثبت مفتاح التحكم
- ⑤ المقبض الجانبي
- ⑥ الرأس الكروية
- ⑦ مبین الخدمة
- ⑧ زر التثبيت
- ⑨ وصلة بالجهاز الكهربائي
- ⑩ كابل الكهرباء مع وصلة مقبسية مشفرة وقابلة للخلع



2.3 الاستخدام المطابق للتعليمات

المنتج المشروح عبارة عن إزميل دقاق متعدد الأغراض مشغل بالكهرباء. وهو مخصص للقيام بالأعمال المتوسطة بالإزميل في الجدران والفرسانة.

◀ يجب ألا يتم التشغيل إلا بالتردد والجهد الكهربائي المذكورين على لوحة الصنع.

3.3 Active Vibration Reduction (AVR)

الإزميل الدقاق مزود بنظام Active Vibration Reduction (AVR) (مخمد الاهتزاز الفعال) والذي يقلل من الاهتزازات بشكل فائق.

4.3 الاستخدام الخاطئ المحتمل

- هذا المنتج غير مخصص للعمل مع الخامات الضارة بالصحة.
- هذا المنتج غير مناسب للعمل في البيئات الرطبة.
- لا يجوز تشغيل هذا المنتج إلا بالتردد والجهد الكهربائي المذكورين على لوحة الصنع.

5.3 مبین الخدمة

الإزميل الدقاق مجهز بمبین خدمة به إشارة صوتية.

الحالة	الاستعمال
مبین الخدمة يضيء.	هذا يعني أنه حان موعد إجراء الخدمة.
مبین الخدمة يومض.	أضرار بالمنتج. قم بإصلاح الجهاز لدى مركز خدمة Hilti.



6.3 مجموعة التجهيزات الموردة

الإزميل الدقاق، المقبض الجانبي، دليل الاستعمال.

تجد المزيد من منتجات النظام المسموح بها للمنتج الفاص بك لدى متجر **Hilti Store** أو على موقع الإنترنت: www.hilti.group

4 المواصفات الفنية

1.4 الإزميل الدقاق

يرجى التعرف على الجهد الاسمي والتيار الاسمي والتردد والاستهلاك الاسمي من لوحة صنع الجهاز الخاصة بالبلد المعني.

في حالة التشغيل من مولد أو محمول، فإنه يجب ألا تقل قدرة الخرج الخاصة به عن ضعف قدرة الدخل الاسمية الواردة على لوحة صنع الجهاز. جهد تشغيل المحمول أو المولد يجب أن يكون دائما في نطاق +5% و -15% من الجهد الكهربائي الاسمي للجهاز.

TE 500-AVR	
6.3 كجم	الوزن طبقا لبروتوكول EPTA 01

2.4 معلومات الضجيج وقيم الاهتزاز طبقا للمواصفة EN 60745

تم قياس قيم ضغط الصوت والاهتزاز الواردة في هذا الدليل طبقا لعملية قياس معايرة ويمكن الاستعانة بها في مقارنة الأدوات الكهربائية مع بعضها البعض. وهي تصلح أيضا لتقدير المخاطر بصورة مؤقتة. المواصفات الواردة تتعلق بالاستخدامات الأساسية للأداة الكهربائية. أما إذا تم استخدام الأداة الكهربائية في تطبيقات أخرى مع أدوات شغل مخالفة للمواصفات أو دون صيانة كافية، ففي هذه الحالة قد تختلف البيانات. وقد يزيد هذا من المخاطر خلال مدة العمل بالكامل بصورة واضحة. ولتقدير المخاطر تقديرا دقيقا ينبغي أيضا مراعاة الأوقات التي يتم فيها إيقاف الجهاز أو التي يكون فيها الجهاز مشغلا ولكن دون استخدام حقيقي. وقد يقلل هذا من المخاطر خلال مدة العمل بالكامل بصورة واضحة. احرص على مراعاة تدابير السلامة الإضافية لحماية المستخدم من تأثير الصوت و/أو الاهتزازات مثل: صيانة الأداة الكهربائية وأدوات العمل والحفاظ على الأيدي في حالة دافئة وتنظيم مراحل العمل.

قيم الضجيج المنبعث

TE 500-AVR	
95 ديسيبل (A)	مستوى شدة الصوت (L_{WA})
3 ديسيبل (A)	نسبة التفاوت لمستوى شدة الصوت (K_{WA})
84 ديسيبل (A)	مستوى ضغط الصوت (L_{pA})
3 ديسيبل (A)	نسبة التفاوت لمستوى ضغط الصوت (K_{pA})

قيم الاهتزاز الإجمالية

TE 500-AVR	
6.8 م/ثانية ²	النقر بالإزميل ($a_{h, Choc}$)
1.5 م/ثانية ²	نسبة التفاوت (K)

5 الاستعمال

1.5 التحضير للعمل

⚠ احترس:

خطر الإصابة! تشغيل الجهاز بشكل غير مقصود.

← اسحب القابس الكهربائي، قبل إجراء عمليات ضبط الجهاز أو تغيير أجزاء الملحقات.

تراعى إرشادات الأمان والإرشادات التحذيرية الواردة في هذا المستند وعلى الجهاز.



1.1.5 تركيب المقبض الجانبي 2

⚠️ احترس:

خطر الإصابة فقدان السيطرة على الإزميل الدقاق.
 ▶ تأكد أن المقبض الجانبي مركب ومثبت بشكل سليم.

1. أدخل وسيلة التثبيت (شريط الشد) والمقبض الجانبي من الأمام عبر طرف تركيب الأدوات وصولاً إلى الحز المخصص لذلك.
2. اضبط المقبض الجانبي في الوضع المرغوب.
3. أدر الرأس الكروية لشد وسيلة تثبيت (شريط الشد) المقبض الجانبي.

2.1.5 توصيل كابلات الكهرباء القابل للإدخال

⚠️ احترس:

خطر الإصابة من جراء التيار الكهربائي المتسرب في حالة وجود أطراف توصيل متسفة.
 ▶ لا تتم بتوصيل الوصلة المقبسية الكهربائية القابلة للتركيب بالجهاز الكهربائي إلا وهي في حالة نظيفة وجافة ولا يسري بها جهد كهربائي.

1. أدخل الوصلة المقبسية الكهربائية المكودة القابلة للتركيب في الجهاز حتى النهاية، إلى أن يثبت القفل بصوت مسموع.
2. أدخل القابس الكهربائي في المقبس.

3.1.5 تركيب/خلع أداة الشغل 3

⚠️ تحذير

خطر الإصابة من الممكن أن تسخن الأداة نتيجة الاستخدام.
 ▶ ارتد قفازاً واقياً أثناء تغيير الأدوات.

1. قم بتزليق طرف إدخال أداة الشغل قليلاً.
2. أدخل أداة الشغل في طرف تركيب الأدوات حتى النهاية واطرها تثبت في موضعها.
 ▶ المنتج جاهز للتشغيل.
3. قم بإرجاع وسيلة تأمين الأداة حتى النهاية وأخرج أداة الشغل.


i اقتصِر على استخدام الشمع الأصلي من Hilti. قد يؤدي استخدام شمع غير مناسب إلى تعرض المنتج للضرر.

4.1.5 تحديد موضع الإزميل 4

⚠️ احترس:

خطر الإصابة فقدان السيطرة على اتجاه الإزميل.
 ▶ لا تعمل في وضع "تحديد موضع الإزميل". اضبط مفتاح اختيار الوظيفة على وضع "النقر بالإزميل"، إلى أن يستقر في موضعه.

i يمكن ضبط الإزميل على 24 وضعاً مختلفاً (في خطوات مقدار كل منها 15°). وبذلك يمكن دائماً العمل بالإزميل المفلطح وإزميل التشكيل في وضع العمل المثالي المناسب.

1. اضبط مفتاح اختيار الوظيفة على هذا الوضع .
2. أدر الإزميل إلى الوضع المرغوب.
3. اضبط مفتاح اختيار الوظيفة على هذا الوضع **T**، حتى يستقر في موضعه.
 ▶ الجهاز جاهز للتشغيل.

5.1.5 افصل قابس الكهرباء القابل للإدخال عن الجهاز الكهربائي

1. اسحب القابس الكهربائي من المقبس.
2. اضغط على زر التثبيت واخلع الوصلة المقبسية الكهربائية المكودة القابلة للتركيب.
3. اسحب الكابلات الكهربائية من الجهاز.



تحذير 

خطر الصعق الكهربائي! عدم وجود وصلات التأريض ومفاتيح الحماية من تسرب التيار يمكن أن يؤدي إلى وقوع إصابات وحروق بالغة.


- تأكد دائماً أن وصلات التأريض ومفاتيح الحماية من تسرب التيار موجودة وموصلة بوحدة الإمداد بالتيار الكهربائي بموقع العمل، سواء كانت من شبكة الكهرباء أو من مولد كهربائي.
- لا تقم بتشغيل الجهاز دون مراعاة تدابير السلامة هذه.

تحذير 

خطر بسبب الكابلات التالفة! في حالة تلف كابل الكهرباء أو كابل الإطالة أثناء العمل، فإنه لا يجوز لمس الكابل. اسحب القابس الكهربائي من المقبس.

- افحص أسلاك توصيل الجهاز بشكل منتظم وعند تلفها اعمل على تغييرها بمعرفة فني معتمد.

يتعين الحصول على تصريح من إدارة المنشأة بإجراء الأعمال كاملة.

1.2.5 النقر بالإزميل 

- اضبط مفتاح اختيار الوظيفة على هذا الوضع **T**.

2.2.5 تشغيل / إيقاف وضع التشغيل المستمر 

يمكن في وضع تشغيل الإزميل تثبيت مفتاح التشغيل/الإيقاف في وضع التشغيل.



- قم بتحريك زر ثبات التشغيل المستمر إلى الأمام.
- اضغط على مفتاح التشغيل/الإيقاف حتى النهاية تماماً.
- يُعمل المنتج الآن في وضع التشغيل المستمر.
- قم بتحريك زر ثبات التشغيل المستمر إلى الخلف.
- يتوقف المنتج.

6 العناية والصيانة

تحذير 

خطر بسبب حدوث صدمة كهربائية إجراء أعمال العناية والصيانة بينما القابس الكهربائي مركب قد يتسبب في إصابات بالغة والإصابة بحروق.

- احرص على سحب القابس الكهربائي قبل جميع أعمال الإصلاح والعناية!

العناية

- قم بإزالة الاتساخ الملتصق بحرص.
- قم بتنظيف فتحات التهوية بحرص باستخدام فرشاة جافة.
- نظف جسم الجهاز باستخدام قطعة قماش مبللة بعض الشيء. لا تستخدم مواد عناية تحتوي على السيليكون لما قد تتسبب فيه من الإضرار بالأجزاء البلاستيكية.

الصيانة

تحذير 

خطر الصعق الكهربائي! قد تؤدي أعمال الصيانة التي تتم على الأجزاء الكهربائية بشكل غير سليم إلى حدوث إصابات خطيرة وإصابة بحروق.

- لا يجوز إجراء إصلاحات على الأجزاء الكهربائية إلا من خلال متخصصين في الكهرباء.

- افحص جميع الأجزاء المرئية من حيث وجود أضرار وافحص عناصر الاستعمال من حيث كفاءتها الوظيفية.
- في حالة وجود أضرار و/أو اختلالات وظيفية لا تقم بتشغيل المنتج. احرص على الفور على إصلاحه لدى مركز خدمة Hilti.
- بعد أعمال العناية والإصلاح قم بتركيب جميع تجهيزات الحماية وافحصها من حيث الأداء الوظيفي.



للتشغيل الآمن اقتصر على استخدام قطع الغيار الأصلية وخامات الشغل. تجد قطع الغيار وخامات الشغل والملحقات المصريح بها من قبلنا للمنتج الخاص بك في متجر **Hilti Store** أو على موقع الإنترنت: www.hilti.group

7 النقل والتخزين

- لا تنقل الجهاز الكهربائي بينما الأداة مدخلة فيه.
- عند تخزين الجهاز الكهربائي احرص دائما على سحب القابس الكهربائي.
- احرص على جفاف الجهاز والاحتفاظ به بعيدا عن متناول الأطفال والأشخاص غير المصرح لهم عند تخزينه.
- بعد النقل لمسافة طويلة أو التخزين افحص الجهاز الكهربائي من حيث وجود أضرار.

8 المساعدة في حالات الاختلالات

عند حدوث اختلالات غير مذكورة في الجدول أو يتعذر عليك معالجتها بنفسك، فيرجى التوجه إلى مركز خدمة **Hilti**.

1.8 المساعدة في حالات الاختلالات

الخلل	السبب المحتمل	الحل
الإزميل الدقاق لا يبدأ في العمل.	انقطاع الإمداد بالتيار الكهربائي.	◀ قم بتوصيل جهاز كهربائي آخر وافحص التشغيل.
	تم تفعيل مانع بدء التشغيل الإلكتروني بعد فترة انقطاع التيار الكهربائي.	◀ قم بإيقاف الجهاز ثم أعد تشغيله.
	المولد الكهربائي في حالة السبات.	◀ قم بتشغيل جهاز كهربائي آخر (مثل مصباح إضاءة موقع البناء) من المولد الكهربائي. قم بعد ذلك بإيقاف الجهاز ثم أعد تشغيله.
	وجود أضرار بالجهاز.	◀ قم بإصلاح الجهاز لدى مركز خدمة Hilti .
	الكربون متآكل.	◀ افحصه على يد متخصص في الكهراء وقم بتغييره إذا لزم الأمر.
لا يتولد طرق.	الجهاز بارد للغاية.	◀ ضع الإزميل الدقاق على الأرض واتركه يدور على الفارغ. عند اللزوم كرر هذه العملية حتى يعمل الطارق.
الإزميل الدقاق لا يعمل بكامل قدرته.	كابل الإطالة طويل للغاية و/أو ذو مقطع عرضي ضئيل للغاية.	◀ استخدم كابل إطالة ذا طول مسموح به و/أو ذا مقطع عرضي كاف.
	مفتاح التحكم ليس مضغوطا تماما.	◀ اضغط مفتاح التحكم تماما حتى النهاية.
الإزميل لا يتحرك من وضع إحكام التثبيت.	لم تقم بإرجاع ظرف تركيب الأدوات حتى النهاية تماما.	◀ قم بإرجاع وسيلة إحكام قفل الأداة حتى النهاية وأخرج الأداة.
مبين الخدمة يومض.	وجود أضرار بالجهاز.	◀ قم بإصلاح الجهاز لدى مركز خدمة Hilti .
مبين الخدمة يضيء.	الكربون متآكل.	◀ افحصه على يد متخصص في الكهراء وقم بتغييره إذا لزم الأمر.
	ضرر بالجهاز أو حان موعد إجراء الخدمة.	◀ اقتصر على إصلاح المنتج لدى مركز خدمة Hilti .



أجهزة Hilti مصنوعة بنسبة كبيرة من مواد قابلة لإعادة التدوير. يشترط لإعادة التدوير أن يتم فصل الغامات بشكل سليم فنياً. في العديد من الدول تقوم شركة Hilti باستغلال الأجهزة القديمة لإعادة تدويرها. وللمعلومات حول ذلك اتصل بخدمة عملاء Hilti أو الموزع القريب منك.

لا تعلق الأدوات الكهربائية، الأجهزة الإلكترونية والبطاريات ضمن القمامة المنزلية!



10 مواصفة RoHS (مواصفة تقييد استخدام المواد الخطيرة)

تجد جدول المواد الخطيرة تحت الروابط التالية: qr.hilti.com/rxxx.
تجد رابطاً بخصوص جدول RoHS في نهاية هذا المستند ككود QR.

11 ضمان الجهة الصانعة

في حالة وجود أية استفسارات بخصوص شروط الضمان، يرجى التوجه إلى وكيل Hilti المحلي التابع لك.



オリジナル取扱説明書

1 取扱説明書について

1.1 本取扱説明書について

- ご使用前にこの取扱説明書をすべてお読みください。このことは、安全な作業と問題のない取扱いのための前提条件となります。
- 本取扱説明書および製品に記載されている安全上の注意と警告表示に注意してください。
- 取扱説明書は常に製品とともに保管し、他の人が使用する場合には、製品と取扱説明書を一緒にお渡しください。

1.2 記号の説明

1.2.1 警告表示

警告表示は製品の取扱いにおける危険について警告するものです。以下の注意喚起語が使用されています：



危険

危険！

- ▶ この表記は、重傷あるいは死亡事故につながる危険性がある場合に注意を促すために使われます。



警告

警告！

- ▶ この表記は、重傷あるいは死亡事故につながる可能性がある場合に注意を促すために使われます。



注意

注意！

- ▶ この表記は、身体の負傷あるいは物財の損傷が発生する可能性がある場合に使われます。

1.2.2 取扱説明書の記号

この取扱説明書では、以下の記号が使用されています：

	取扱説明書に注意してください
	本製品を効率良く取り扱うための注意事項や役に立つ情報
	リサイクル可能な部品の取扱い
	電動工具およびバッテリーを一般ゴミとして廃棄してはなりません
	Hilti Li-Ion バッテリー
	Hilti 充電器

1.2.3 図中の記号

図中では以下の記号が使用されています：

	この数字は本取扱説明書冒頭にある該当図を示しています。
3	付番は図中の作業手順の順序に対応していて、本文の作業手順とは一致しない場合があります。
	概要図には項目番号が付されていて、製品概要セクションの凡例の番号に対応しています。
	この記号は、製品の取扱いの際に特に注意が必要なことを示しています。

1.3 記号の説明

1.3.1 製品に表示されている記号

製品には以下の記号が使用されています：



	ハツリ作業
	チゼル角度調整
	電気絶縁保護クラス II (二重絶縁)
n_0	無負荷回転数
	保護手袋を着用してください

1.4 製品情報

HILTI 製品はプロ仕様で製作されており、その使用、保守、修理を行うのは、認定を受けトレーニングされた人のみに限ります。これらの人は、遭遇し得る危険に関する情報を入手していなければなりません。製品およびアクセサリーの使用法を知らない者による誤使用、あるいは規定外の使用は危険です。機種名および製造番号は銘板に表示されています。

- ▶ 製造番号を以下の表に書き写しておいてください。ヒルティ代理店やサービスセンターへお問い合わせの際には、製品データが必要になります。

製品データ

電動ハツリ機	TE 500-AVR
製品世代	03
製造番号：	

1.5 適合宣言

当社は、単独の責任において本書で説明している製品が有効な基準と標準規格に適合していることを宣言します。適合宣言書の複写は本書の末尾にあります。

技術資料は本書の後続の頁に記載されています：

Hilti Entwicklungsgesellschaft mbH | Zulassung Geräte | Hiltistraße 6 | 86916 Kaufering, DE

2 安全

2.1 電動工具の一般安全注意事項

⚠ 警告事項 本電動工具に付属のすべての安全上の注意、指示事項、図、および製品仕様をお読みください。以下の指示を守らないと、感電、火災および / または重傷事故の危険があります。

安全上の注意および指示事項が書かれた説明書はすべて大切に保管してください。

安全上の注意で使用する用語「電動工具」とは、お手持ちの電動ツール（電源コード使用）またはバッテリーツール（コードレス）を指します。

作業環境に関する安全

- ▶ 作業場はきれいに保ち、十分に明るくしてください。ちらかった暗い場所での作業は事故の原因となります。
- ▶ 爆発の危険性のある環境（可燃性液体、ガスおよび粉じんのある場所）では電動工具を使用しないでください。電動工具から火花が飛散し、粉じんや揮発性ガスに引火する恐れがあります。
- ▶ 電動工具の使用時、子供や無関係者を作業場へ近づけないでください。作業中に気がそらされると、本体のコントロールを失ってしまう恐れがあります。

電気に関する安全注意事項

- ▶ 電動工具の接続プラグは電源コンセントにきちんと適合しなくてはなりません。プラグは絶対に変更しないでください。保護接地した電動工具と一緒にアダプタープラグを使用しないでください。オリジナルのプラグと適切なコンセントを使用することにより、感電の危険を小さくすることができます。
- ▶ パイプ、ラジエーター、電子レンジ、冷蔵庫などのアースされた面に体の一部が触れないようにしてください。体が触れると感電の危険が大きくなります。
- ▶ 電動工具を雨や湿気から保護してください。電動工具に水が浸入すると、感電の危険が大きくなります。
- ▶ 電動工具を持ち運んだり、吊り下げたり、コンセントからプラグを抜いたりするときは、必ず本体を持ち、電源コードを持って引っぱらないでください。電源コードを火気、オイル、鋭利な刃物、可動部等に触れる場所に置かないでください。電源コードが損傷したり絡まったりしていると、感電の危険が大きくなります。



- ▶ 屋外工事の場合には、必ず屋外専用の延長コードを使用してください。屋外専用の延長コードを使用すると、感電の危険が小さくなります。
- ▶ 湿った場所で電動工具を動作させる必要がある場合は、漏電遮断器を使用してください。漏電遮断器を使用すると、感電の危険が小さくなります。

作業者に関する安全

- ▶ 電動工具を使用の際には、油断せずに十分注意し、常識をもった作業をおこなってください。疲れている場合、薬物、医薬品服用およびアルコール飲用による影響下にある場合には電動工具を使用しないでください。電動工具使用中の一瞬の不注意が重傷の原因となることがあります。
- ▶ 個人用保護具および保護メガネを常に着用してください。負傷の危険を低減するために、電動工具の使用状況に応じた粉じんマスク、耐滑性の安全靴、ヘルメット、耳栓などの個人用保護具を着用してください。
- ▶ 電動工具の意図しない始動を防止して下さい。電動工具を電源および / またはバッテリーに接続する前や本体を持ち上げたり運んだりする前に、本体がオフになっていることを必ず確認してください。オン / オフスイッチが入っている状態で電動工具のスイッチに指を掛けたまま運んだり、電源に接続したりすると、事故の原因となる恐れがあります。
- ▶ 電動工具のスイッチを入れる前に、必ず調節キーやレンチを取り外してください。調節キーやレンチが本体の回転部に装着されたままでは、けがの原因となる恐れがあります。
- ▶ 作業中は不安定な姿勢をとらないでください。足元を安定させ、常にバランスを保つようにしてください。これにより、万一電動工具が異常状況に陥った場合にも、適切な対応が可能となります。
- ▶ 作業に適した作業着を着用してください。だぶだぶの衣服や装身具を着用しないでください。髪、衣服、手袋を本体の可動部に近づけないでください。だぶだぶの衣服、装身具、長い髪が可動部に巻き込まれる恐れがあります。
- ▶ 吸じんシステムの接続が可能な場合には、これらのシステムが適切に接続、使用されていることを確認してください。吸じんシステムを利用することにより、粉じん公害を防げます。
- ▶ 電動工具の取扱いに熟練している場合にも、正しい安全対策を遵守し、電動工具に関する安全規則を無視しないでください。不注意な取扱いは、ほんの一瞬で重傷事故を招くことがあります。

電動工具の使用および取扱い

- ▶ 無理のある使用を避けてください。作業用途に適した電動工具を使用してください。適切な電動工具の使用により、能率よく、スムーズかつ安全な作業が行えます。
- ▶ スイッチが故障している場合には、電動工具を使用しないでください。スイッチで始動および停止操作のできない電動工具は危険です。修理が必要です。
- ▶ 本体の設定やアクセサリの交換を行う前や本体を保管する前には電源プラグをコンセントから抜き、および / または脱着式のバッテリーを取り外してください。この安全処置により、電動工具の意図しない始動を防止することができます。
- ▶ 電動工具をご使用にならない場合には、子供の手の届かない場所に保管してください。電動工具に関する知識のない方、本説明書をお読みでない方による本体のご使用は避けてください。未経験者による電動工具の使用は危険です。
- ▶ 電動工具とアクセサリは慎重に手入れしてください。可動部分が引っ掛かりなく正常に作動しているか、電動工具の運転に影響を及ぼす各部分が破損・損傷していないかを確認してください。電動工具をご使用になる前に、損傷部分の修理を依頼してください。事故の多くは保守管理の不十分な電動工具の使用が原因となっています。
- ▶ 先端工具は鋭利で汚れのない状態を保ってください。お手入れのゆきとどいた先端工具を使用すると、作業が簡単かつ、スムーズになります。
- ▶ 電動工具、アクセサリ、先端工具などは、それらの説明書に記載されている指示に従って使用してください。その際は、作業環境および用途についてもご注意ください。指定された用途以外に電動工具を使用すると危険な状況をまねく恐れがあります。
- ▶ グリップとグリップ面は乾燥した清潔な状態に保ち、オイルやグリスの付着がないようにしてください。グリップやグリップ面が滑りやすい状態になっていると、予期していない状況が発生した際に電動工具を安全に使用 / 制御できません。

サービス

- ▶ 電動工具の修理は必ず認定サービスセンターにお申し付けください。また、必ず純正部品を使用してください。これにより電動工具の安全性が確実に維持されます。

2.2 ハンマーに関する安全上の注意

- ▶ 耳栓を着用してください。騒音により、聴覚に悪影響が出る恐れがあります。
- ▶ 本体には一緒に納品された補助ハンドルを使用してください。これ以外のハンドルを使用すると、コントロールを失ってけがをする恐れがあります。



- ▶ 隠れた電線や装置自体の電源コードに先端工具が接触する可能性のある作業を行う場合は、必ず本体の絶縁されたグリップを持ってください。通電しているケーブルと接触すると、本体の金属部分にも電圧がかかり、感電の危険があります。

2.3 その他の安全上の注意

作業者に関する安全

- ▶ 本体は、必ず技術的に問題のない状態で使用してください。
- ▶ 本体は決して加工や改造を加えないでください。
- ▶ 剥がし作業の場合には、作業側と反対の領域を保護してください。剥がれた部分が脱落、落下して他人を負傷させる危険があります。
- ▶ 本体は、常に両手でグリップを掴んでしっかりと保持してください。グリップは乾燥した清潔な状態を保ってください。
- ▶ サイドハンドルは常に外側を掴んでください。
- ▶ 本体の使用中は、適切な保護メガネ、保護ヘルメット、耳栓、保護手袋および防じんマスクを着用してください。
- ▶ 保護手袋は先端工具の交換時にも着用してください。先端工具に触れると、切創事故や火傷の原因となることがあります。
- ▶ アイシールドを着用してください。破片が身体の一部、眼などを傷つけることもあります。
- ▶ 作業開始前に、作業場で発生する粉じんの危険有害度を調査してください。公的に承認された保護等級および地域の粉じんに関する規定を満たした工業用集じん機を使用してください。
- ▶ できるだけ集じん装置や適切な可動集じん装置を使用してください。含鉛塗料、特定の種類の木材、コンクリート / 石材、石英を含む岩石、鉱物および金属などの母材から生じた粉じんは、健康を害する恐れがあります。
- ▶ 作業場の良好な換気に注意し、必要に応じてそれぞれの粉じんに適した防じんマスクを着用してください。作業者や近くにいる人が粉じんに触れたり吸い込んだりすると、アレルギー反応や呼吸器疾患を起こす可能性があります。カシヤブナ材などの特定の粉じんは、特に木材処理用の添加剤（クロム塩酸、木材保護剤）が使用されている場合、発ガン性があるとされています。アスベストが含まれる母材は、必ず専門家が取り扱うようにしてください。
- ▶ 休憩を取って、指を動かして血行を良くするように心がけてください。長時間作業の際には、振動により指、手あるいは手首の関節の血管あるいは神経系に障害が発生する可能性があります。

電気に関する安全注意事項

- ▶ 作業を開始する前に、作業領域に埋設された電線、ガス管や水道管がないかを調査してください。誤って電線を損傷すると、本体外側の金属部分により感電事故が発生する可能性があります。

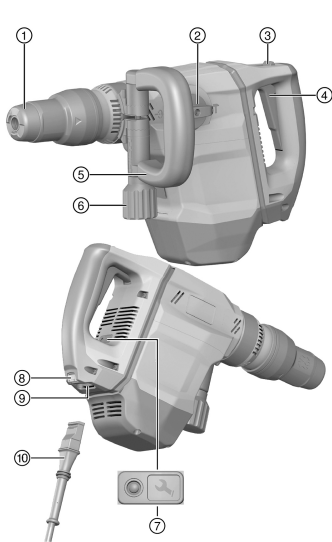
電動工具の慎重な取扱いおよび使用

- ▶ 先端工具がブロックしたら直ちに電動工具をオフにします。本体は側方へとずらすことができます。
- ▶ 電動工具は停止するまで置かないでください。



3 製品の説明

3.1 製品概要



- ① チャック
- ② 機能切り替えスイッチ
- ③ 無段変速スイッチ
- ④ スイッチロック
- ⑤ サイドハンドル
- ⑥ ノブ
- ⑦ サービスインジケータ
- ⑧ ロックボタン
- ⑨ 電動工具の接続部
- ⑩ コーディングされた脱着式プラグ付きの電源コード

3.2 正しい使用

本書で説明している製品は、電動ハツリ機です。本製品は、コンクリート、石材およびアスファルトへの中程度のハツリ作業用の工具です。

▶ 必ず銘板に表示されている電圧、周波数で使用してください。

3.3 Active Vibration Reduction (AVR)

電動ハツリ機は、振動を大幅に低減させるActive Vibration Reduction (AVR) システムを装備しています。

3.4 考えられる誤った使用

- 本製品は、健康を損なう危険のある母材を作業するには適していません。
- 本製品は、湿気の多い環境での作業には適していません。
- 本製品は、銘板に記載されているのとは異なる電圧および周波数で使用してはなりません。

3.5 サービスインジケータ

電動ハツリ機は、サービスインジケータを装備しています。

状態	意味
サービスインジケータが点灯。	作動時間がサービス期限に達しています。
サービスインジケータが点滅。	製品の損傷。Hilti サービスセンターに修理を依頼してください。

3.6 本体標準セット構成

電動ハツリ機、サイドハンドル、取扱説明書。



その他のご使用の製品用に許可されたシステム製品については、弊社営業担当またはHilti Store にお問い合わせいただくか、あるいはwww.hilti.groupでご確認ください。



4 製品仕様

4.1 電動ハツリ機



定格電圧、定格電流、周波数および定格電力については、国別の銘板でご確認ください。

発電機または変圧器を使用しての作業の場合は、それらは本体の銘板に記載されている定格電力より2倍以上大きな出力がなければなりません。変圧器または発電機の作動電圧は、常に本体の定格電圧の+5%...-15%の範囲になければなりません。

	TE 500-AVR
重量 (EPTA プロシージャ 01 に準拠)	6.3 kg

4.2 騒音および振動値について (EN 60745 準拠)

本説明書に記載されているサウンドプレッシャー値および振動値は、規格に準拠した測定方法に基づいて測定したものです。電動工具を比較するのにご使用いただけます。曝露値の暫定的な予測にも適しています。記載されているデータは、電動工具の主要な使用方法に対する値です。電動工具を他の用途で使用したり、異なる先端工具を取り付けて使用したり、手入れや保守が十分でないまま使用した場合には、データが異なることがあります。このような相違により、作業時間全体で曝露値が著しく高くなる可能性があります。曝露値を正確に予測するためには、本体のスイッチをオフにしている時間や、本体が作動していても実際には使用していない時間も考慮しなければなりません。このような相違により、作業時間全体で曝露値が著しく低くなる可能性があります。作業者を騒音および / または振動による影響から保護するために、他にも安全対策を立ててください (例: 電動工具およびの先端工具の手入れや保守、手を冷やさないようにする、作業手順の計画を立てる)。

騒音排出値

	TE 500-AVR
サウンドパワーレベル (L_{WA})	95 dB(A)
サウンドパワーレベルの不確実性 (K_{WA})	3 dB(A)
サウンドプレッシャーレベル (L_{pA})	84 dB(A)
サウンドプレッシャーレベルの不確実性 (K_{pA})	3 dB(A)

合計振動値

	TE 500-AVR
ハツリ作業 ($a_{h, Cheq}$)	6.8 m/s ²
不確実性 (K)	1.5 m/s ²

5 ご使用方法

5.1 作業準備



注意

負傷の危険! 製品は意図せず作動することがあります。

- ▶ 本体の設定やアクセサリーの交換を行う前に電源プラグを抜いてください。

本書および製品に記載されている安全上の注意と警告表示に注意してください。

5.1.1 サイドハンドルを取り付ける



注意

負傷の危険 電動ハツリ機のコントロールの喪失。

- ▶ サイドハンドルが正しく取り付けられ、しっかりと固定されていることを確認してください。

1. クランピングバンドとサイドハンドルを、前方から取付け用溝のところまでスライドさせてチャックへと取り付けます。
2. サイドハンドルをご希望の位置にします。
3. ノブを回してサイドハンドルのクランピングバンドを張ります。



5.1.2 接続可能な電源コードを接続する

注意

負傷の危険 電気接点汚れていると漏れ電流が発生して負傷の危険があります。

▶ 脱着式電気プラグは、必ず汚れがなく、乾燥した通電のない状態で電動工具に接続してください。

1. コーディングされた脱着式電気プラグを本体のストップ位置まで、ロックの作動音が聞こえるまで差し込みます。
2. 電源プラグをコンセントに差し込みます。

5.1.3 先端工具を装着 / 取り外す

警告

負傷の危険 使用中に先端工具が高温になる場合があります。

▶ 先端工具の交換時には保護手袋を着用してください。

1. 先端工具のコネクションエンドにグリスを軽く塗布します。
2. 先端工具をチャックのストップ位置まで差し込み、ロックさせます。
 - ▶ 製品は作動可能状態です。
3. チャックロックスリーブをストップ位置まで引き戻し、先端工具を取り外します。



必ずHiltiの純正グリスを使用してください。適切でないグリスを使用すると、製品の損傷の原因となることがあります。

5.1.4 チゼル角度調整

注意

負傷の危険 ハツリ方向のコントロールの喪失。

▶ 機能切り替えスイッチが「チゼル角度調整」位置で作業をしないでください。機能切り替えスイッチを「ハツリ作業」の位置にし、その位置にロックさせます。



チゼルは24の異なる位置に（15°ステップで）調整することができます。これによってコールドチゼルでもスケーリングチゼルでも、最適の角度で作業できます。

1. 機能切り替えスイッチを の位置にします。
2. チゼルをご希望の位置に回します。
3. 機能切り替えスイッチを の位置にしてロックさせます。
 - ▶ 本体は作動可能な状態にあります。

5.1.5 接続可能な電源コードを電動工具から外す

1. 電源プラグをコンセントから抜きます。
2. ロックボタンを押し、コーディングされた脱着式電気プラグを引き抜きます。
3. 電源コードを本体から外します。

5.2 作業

警告

感電による危険！ アース線および漏電遮断器がないと、重傷事故および火傷の危険があります。

- ▶ 工事現場の電気供給配線には、電源からのものであるか発電機からのものであるかを問わず、必ずアース線と漏電遮断器が備わっていて、それらが接続されていることを確認してください。
- ▶ これらの安全対策を施さずに製品を作動させないでください。

警告

損傷したコードによる危険！ 作業中に電源コードまたは延長コードを損傷した場合は、コードに触れないでください。不意に始動しないように電源プラグをコンセントから抜きます。

▶ 本体の電源コードを定期的に点検し、コードに損傷がある場合は認定を受けた修理スペシャリストに交換させてください。

作業の全般について現場監督者の許可を得てください！



5.2.1 ハツリ作業

- ▶ 機能切り替えスイッチを **T** の位置にします。

5.2.2 連続動作モードをオンにする / オフにする



ハツリモードで作業する場合、ON/OFF スイッチを作動状態でロックできます。

1. 連続動作モード用ロックボタンを前方へ押します。
2. ON/OFF スイッチを完全に押し込みます。
 - ▶ 製品が連続動作モードで作動します。
3. 連続動作モード用ロックボタンを後方へ押します。
 - ▶ 製品がスイッチオフになります。

6 手入れと保守



警告

感電による危険！ 電源プラグをコンセントに接続した状態で手入れや保守を行うと、重傷事故および火傷の危険があります。

- ▶ 手入れや保守作業の前に、必ず電源プラグをコンセントから抜いてください。

手入れ

- 強固に付着した汚れは慎重に除去してください。
- 通気溝を乾いたブラシで入念に清掃してください。
- ハウジングは必ず軽く湿らせた布で清掃してください。シリコンを含んだ清掃用具はプラスチック部品をいためる可能性があるので使用しないでください。

保守



警告

感電による危険！ 電気部品の誤った修理は、重傷事故および火傷の原因となることがあります。

- ▶ 電気部品の修理を行うことができるのは、訓練された修理スペシャリストだけです。
- 目視確認可能なすべての部品について損傷の有無を、操作エレメントについては問題なく機能することを定期的に点検してください。
- 損傷および / または機能に問題のある場合は、本製品を使用しないでください。直ちにHilti サービスセンターに修理を依頼してください。
- 手入れおよび保守作業の後は、すべての安全機構を取り付けて機能を点検してください。



安全な作動のために、必ず純正のスペアパーツと消耗品を使用してください。本製品向けに弊社が承認したスペアパーツ、消耗品およびアクセサリは、弊社営業担当またはHilti Store にお問い合わせいただくか、あるいはwww.hilti.groupでご確認ください。

7 搬送および保管

- 電動工具は先端工具を装着した状態で搬送しないでください。
- 電動工具は常に電源プラグを外して保管してください。
- 本体は、乾燥している場所に、子供や権限のない人が手を触れることのないようにして保管してください。
- 電動工具を長距離にわたって搬送したり長期にわたって保管した後は、使用の前に損傷がないかチェックしてください。

8 故障時のヒント

この表に記載されていない、あるいはご自身で解消することのできない故障が発生した場合には、弊社営業担当またはHilti サービスセンターにご連絡ください。



8.1 故障時のヒント

故障	考えられる原因	解決策
電動ハツリ機が始動しない。	主電源が供給されていない。	▶ 他の電動工具を接続して機能を点検する。
	電源遮断後に電子式インターロックがアクティブになった。	▶ 本体をオフにして、再びオンにする。
	発電機がスリープモード。	▶ 発電機に別の電気負荷（ランプ等）をかける。続いて本体をオフにし、再びオンにする。
	本体の損傷。	▶ Hilti サービスセンターに修理を依頼する。
	カーボンブラシの摩耗。	▶ 修理スペシャリストに点検を依頼し、必要な場合には交換する。
	本体温度が低すぎる。	▶ 電動ハツリ機を母材に接触させて、アイドル回転させる。打撃機構が始動するまでこれを繰り返す。
電動ハツリ機がフルパワーにならない。	延長コードが長すぎる、または導体断面積が小さすぎる。	▶ 許容された長さで十分な導体断面積を持つ延長コードを使用する。
	コントロールスイッチの握り込みが不十分。	▶ コントロールスイッチを一杯に握り込む。
チゼルをロック解除できない。	チャックが完全に引き戻されていない。	▶ チャックロックスリーブをストップ位置まで後ろに引き、先端工具を抜く。
サービスインジケータが点滅。	本体の損傷。	▶ Hilti サービスセンターに修理を依頼する。
サービスインジケータが点灯。	カーボンブラシの摩耗。	▶ 修理スペシャリストに点検を依頼し、必要な場合には交換する。
	本体が損傷しているか、あるいは作動時間がサービス期限に達している。	▶ 本製品の修理は、必ず Hilti サービスセンターに依頼すること。

9 廃棄

Hilti 製品の大部分の部品はリサイクル可能です。リサイクル前にそれぞれの部品は分別して回収されなければなりません。多くの国で**Hilti** は、古い電動工具をリサイクルのために回収しています。詳細については弊社営業担当または**Hilti** 代理店・販売店にお尋ねください。



- ▶ 電動工具、電子機器およびバッテリーを一般ゴミとして廃棄してはなりません！

10 RoHS (有害物質使用制限に関するガイドライン)

下記のリンクより、有害物質を記載した表を確認できます：qr.hilti.com/rxxx。
本書の最終ページに RoHS 表にリンクした QR コードがあります。

11 メーカー保証

- ▶ 保証条件に関するご質問は、最寄りの**Hilti** 代理店・販売店までお問い合わせください。



오리지널 사용 설명서

1 사용 설명서 관련 정보

1.1 본 사용 설명서에 관하여

- 처음 이 제품을 사용하기 전에 본 사용 설명서를 읽으십시오. 안전하게 작업하고 문제 없이 취급하기 위한 전제가 됩니다.
- 본 사용 설명서 및 제품에 나와 있는 안전상의 주의사항 및 경고 지침에 유의하십시오.
- 항상 제품에 있는 사용 설명서를 잘 보관하고 제품은 반드시 본 사용 설명서와 함께 다른 사람에게 전달하십시오.

1.2 기호 설명

1.2.1 경고사항

본 제품을 다루면서 발생할 수 있는 위험에 대한 경고사항. 다음과 같은 시그널 워드가 사용됩니다.

위험

위험!

- ▶ 이 기호는 직접적인 위험을 표시합니다. 만약 지키지 않으면 심각한 부상을 당하거나 사망할 수도 있습니다.

경고

경고!

- ▶ 이 기호는 잠재적인 위험을 표시합니다. 만약 지키지 않으면 심각한 부상을 당하거나 사망할 수도 있습니다.

주의

주의!

- ▶ 이 기호는 잠재적인 위험 상황을 표시합니다. 만약 지키지 않으면 부상 또는 물질 손실을 입을 수 있습니다.

1.2.2 사용 설명서에 사용된 기호

본 사용 설명서에서 사용되는 기호는 다음과 같습니다.

	사용 설명서에 유의하십시오
	적용 지침 및 기타 유용한 사용정보
	재사용이 가능한 자재 취급방법
	전기 기기 및 배터리를 일반 가정의 쓰레기처럼 폐기해서는 안 됨
	Hilti 리튬 이온 배터리
	Hilti 충전기

1.2.3 그림에 사용된 기호

그림에 다음과 같은 기호가 사용됩니다.

	이 숫자는 본 사용 설명서 첫 부분에 있는 해당 그림을 나타냅니다.
	매겨진 숫자는 작업 단계의 순서를 나타내며, 텍스트에 매겨진 작업 단계와 차이가 있을 수 있습니다.
	항목 번호는 개요 그림에서 사용되며, 제품 개요 단락에 나와 있는 기호 설명 번호를 나타냅니다.
	이 표시는 제품을 다룰 때, 특별히 주의할 사항을 나타냅니다.



1.3 기호 설명

1.3.1 제품에 사용된 기호

제품에 사용된 기호는 다음과 같습니다.

	치질링
	치질 각도 조정
	보호 등급 II (이중 절연)
n_0	무부하 회전속도
	보호 장갑 착용

1.4 제품 정보

제품은 전문가용으로 설계되어 있으며, 해당 교육을 이수한 공인된 작업자를 통해서만 조작, 유지 보수 및 수리 작업을 진행할 수 있습니다. 이 기술자는 발생할 수 있는 위험에 대해 특별 교육을 받은 상태여야 합니다. 교육을 받지 않은 사람이 제품을 부적절하게 취급하거나 규정에 맞지 않게 사용할 경우에는 기기와 그 보조기구에 의해 부상을 당할 위험이 있습니다.

형식 명칭 및 일련 번호는 형식 라벨에 제시되어 있습니다.

▶ 일련 번호를 다음의 표에 옮기십시오. 대리점 또는 서비스 센터에 문의할 경우 제품 제원이 필요합니다.

제품 제원

브레이커	TE 500-AVR
세대	03
일련 번호	

1.5 적합성 선언

페사는 전적으로 책임을 지고 여기에 기술된 제품이 통용되는 기준과 규격에 일치함을 공표합니다. 적합성 증명서 사본은 본 문서 끝 부분에서 확인할 수 있습니다.

기술 문서는 이곳에 기술되어 있습니다.

Hilti Entwicklungsgesellschaft mbH | Zulassung Geräte | Hiltistraße 6 | 86916 Kaufering, DE

2 안전

2.1 전동 공구에 대한 일반적인 안전상의 주의사항

경고 해당 전동 공구와 함께 동봉된 모든 안전상의 주의 사항, 지침, 그림 및 기술자료를 숙지하십시오. 다음과 같은 지침 내용을 준수하지 않으면 전기 충격, 화재가 발생하거나 그리고/또는 중상을 입을 수 있습니다. 앞으로 모든 안전상의 주의사항과 지침을 보관하십시오.

안전상의 주의사항에서 사용되는 "전동 공구"라는 개념은 전원에 연결하여 사용하는 전동 공구(전원 케이블 있음) 또는 배터리를 사용하는 전동 공구(전원 케이블 없음)를 의미합니다.

작업장 안전수칙

- ▶ 작업장을 항상 깨끗이 하고 조명이 잘 들도록 하십시오. 어수선한 작업환경 또는 어두운 작업장은 사고를 초래할 수 있습니다.
- ▶ 인화성 액체, 가스 또는 먼지가 있어 폭발 위험이 있는 환경에서는 전동 공구를 사용하지 마십시오. 전동 공구는 먼지나 증기를 점화시킬 수 있는 스파크를 일으킵니다.
- ▶ 전동 공구를 사용할 때, 어린이들이나 다른 사람들이 작업장에 접근하지 못하도록 하십시오. 다른 사람의 방해로 인해 기기를 통제하기 어렵습니다.

전기에 관한 안전수칙

- ▶ 전동 공구의 전원 플러그가 소켓에 잘 끼워져야 합니다. 플러그를 절대 변형시켜서는 안됩니다. 집지된 전동 공구와 함께 아답터 플러그를 사용하지 마십시오. 변형되지 않은 플러그와 적합한 소켓을 사용하면 감전의 위험을 줄일 수 있습니다.
- ▶ 파이프, 히터, 전기레인지, 냉장고와 같은 접지 표면에 신체 접촉을 피하십시오. 신체에 닿을 경우 감전될 위험이 높습니다.
- ▶ 전동 공구가 비에 맞지 않도록 하고 습한 장소에 두지 마십시오. 전동 공구에 물이 들어가면 감전될 위험이 높습니다.



- ▶ 전원 케이블만 잡고 전동 공구를 운반하거나 걸어 놓아서는 안되며, 소켓에서 전원 플러그를 빼낼 때 케이블만 잡은 채로 빼내지 마십시오. 전원 케이블이 열, 오일, 날카로운 모서리 또는 부품의 가동 부위에 접촉하지 않도록 주의하십시오. 손상되거나 서로 꼬인 전원 케이블은 감전 위험을 높입니다.
- ▶ 실외에서 전동 공구를 이용하여 작업할 때, 실외용으로 승인된 연장 케이블만 사용하십시오. 실외용 연장 케이블을 사용하면 감전의 위험을 줄여줍니다.
- ▶ 전동 공구를 습한 환경에서 사용하는 것을 피할 수 없을 경우, 누전 차단기를 사용하십시오. 누전 차단기를 사용하면 감전 위험을 줄일 수 있습니다.

사용자 안전수칙

- ▶ 신중하게 작업하십시오. 작업에 정신을 집중하고 전동 공구를 사용할 때 경솔하게 행동하지 마십시오. 피곤하거나 항정신성 약물, 술 또는 약물 복용시에는 전동 공구를 사용하지 마십시오. 전동 공구 사용 시 이에 유의하지 않을 경우 심각한 부상을 초래할 수 있습니다.
- ▶ 안전 장비를 갖추고 보안을 착용하십시오. 전동 공구의 종류와 사용에 따라, 먼지 보호 마스크, 미끄럼 방지용 안전 신발, 안전모 또는 귀마개 등과 같은 안전한 보호장비를 착용하면 부상의 위험을 줄일 수 있습니다.
- ▶ 실수로 기기가 작동하지 않도록 주의하십시오. 전동 공구를 전원 그리고/또는 배터리에 연결하기 전, 보관 또는 운반 전에 전동 공구가 스위치 OFF 상태인지 확인하십시오. 전동 공구 운반 시 스위치에 손가락을 대거나 스위치가 켜진 상태에서 전원을 연결하면 사고를 유발할 수 있습니다.
- ▶ 전동 공구의 스위치를 켜기 전, 조정공구 또는 렌치를 제거하십시오. 기기 회전부에 남아있는 공구나 렌치로 인해 부상을 입을 수 있습니다.
- ▶ 작업 시 비정상적인 자세는 피하십시오. 안전한 작업자세가 되도록 하고, 항상 균형을 유지하십시오. 이렇게 하여 예기치 않은 상황에서도 전동 공구를 잘 제어할 수 있습니다.
- ▶ 적합한 작업복을 착용하십시오. 헐렁한 복장이나 장식품을 착용하지 마십시오. 작동하는 기기 가동 부위에 머리, 옷 그리고 장갑이 가까이 닿지 않도록 주의하십시오. 헐렁한 복장, 장식품 혹은 긴 머리가 가동 부위에 말려 들어갈 수 있습니다.
- ▶ 먼지 제거장치나 수거장치를 설치할 수 있는 기기의 경우, 이 장치들이 연결되어 있는지 그리고 제대로 작동되는지를 확인하십시오. 먼지 포집장치 사용은 먼지로 인한 위험을 줄여줄 수 있습니다.
- ▶ 이 전동 공구를 여러번 사용해왔다고 해서 안전하다고 안심하지 말고 전동 공구에 해당되는 안전 규칙을 무시하지 마십시오. 부주의하게 행할 경우 아주 짧은 순간에 중상을 입을 수 있습니다.

전동 공구의 취급과 사용

- ▶ 기기에 과부하가 걸리지 않도록 하십시오. 귀하의 작업에 적합한 전동 공구를 사용하십시오. 적합한 전동 공구를 사용하면, 지정된 성능 한도 내에서 더 효율적으로 안전하게 작업할 수 있습니다.
- ▶ 스위치가 고장난 전동 공구는 사용하지 마십시오. 스위치가 작동되지 않는 전동 공구는 위험하므로, 반드시 수리를 해야 합니다.
- ▶ 기기 세팅을 실행, 액세서리를 교환 또는 기기를 보관하기 전에 컨택터를 전원소켓에서 그리고/또는 탈착식 배터리를 기기에서 빼놓으십시오. 이러한 조치는 실수로 전동 공구가 작동하지 않도록 방지합니다.
- ▶ 사용하지 않는 전동 공구는 어린이들의 손이 닿지 않는 곳에 보관하십시오. 기기 사용에 익숙치 않거나 또는 이 안전수칙을 읽지 않은 사람이 기기를 사용해서는 안 됩니다. 비숙련자가 전동 공구를 사용하면 위험합니다.
- ▶ 전동 공구 및 액세서리를 유의해서 관리하십시오. 기기의 가동 부위가 완벽하게 작동하는지, 끼어 있지 않은지, 혹은 부품이 손상되거나 파손되어 있어 전동 공구의 기능을 저하시키지 않는지 점검하십시오. 기기 사용 전 손상된 부품을 수리하도록 하십시오. 제대로 관리되지 않은 전동 공구는 많은 사고를 유발합니다.
- ▶ 절단기기는 날카롭고 깨끗하게 관리하십시오. 날카로운 절단면이 있고 잘 관리된 절단기기는 끼이는 경우가 드물고 조절하기도 쉽습니다.
- ▶ 본 지침에 따라 전동 공구, 액세서리, 공구 비트 등을 사용하십시오. 이 때 작업 조건과 실시하려는 작업 내용을 고려하십시오. 원래 사용 분야가 아닌 다른 작업에 전동 공구를 사용할 경우, 위험한 상황을 초래할 수 있습니다.
- ▶ 손잡이 및 손잡이 표면은 건조하고 깨끗하게, 그리고 오일과 그리스가 묻어있지 않도록 해야 합니다. 미끄러운 손잡이 및 손잡이 표면은 예상치 못한 상황에서 전동 공구를 안전하게 조작하고 제어할 수 없습니다.

서비스

- ▶ 전동 공구는 반드시 자격을 갖춘 전문 기술자에 의해 그리고 순정 대체부품만 이용하여 수리해야 합니다. 이렇게 하여 전동 공구의 안전성을 계속해서 유지할 수 있습니다.

2.2 해머에 대한 안전상의 주의사항

- ▶ 귀마개를 착용하십시오. 극심한 소음은 청각 상실을 유발할 수 있습니다.
- ▶ 기기와 함께 공급된 보조 손잡이를 사용하십시오. 기기를 제어하지 못하면 부상을 입을 수 있습니다.



- ▶ 공구 비트가 숨겨진 전선이나 기기 자체의 전원 케이블과 접촉할 수 있는 작업을 할 경우, 항상 기기의 절연된 손잡이 부분을 잡으십시오. 전류가 흐르는 전선과 접촉하면 전동공구의 금속 부위를 통해 감전이 될 수도 있습니다.

2.3 그 외의 안전상의 주의사항

사용자 안전수칙

- ▶ 기술적 하자가 없는 상태에서만 기기를 사용하십시오.
- ▶ 어떠한 경우에도 기기를 무단 변경 또는 개조하지 마십시오.
- ▶ 천공 작업 시, 작업할 부분의 반대편이 안전하게 조치를 취하십시오. 발생하는 분쇄물이 빠져 나오거나 또는 떨어지면서 다른 사람이 부상을 입을 수 있습니다.
- ▶ 항상 양 손으로 기기의 손잡이를 잡고 공구를 고정시키십시오. 손잡이는 건조하고 깨끗하게 유지하십시오.
- ▶ 측면 손잡이는 항상 바깥쪽을 잡으십시오.
- ▶ 기기를 사용하는 동안 적합한 보안경, 안전모, 귀마개, 보호장갑, 안전화 및 보호 마스크를 착용해야 합니다.
- ▶ 공구 교체 시에도 보호장갑을 착용하십시오. 공구 비트에 닿으면 부상을 입거나 화상을 당할 수 있습니다.
- ▶ 보안경을 착용하십시오. 재료의 파편으로 인해 눈 등 신체에 부상을 입을 수 있습니다.
- ▶ 작업을 시작하기 전, 작업 시 발생하는 먼지의 위험 등급을 알아보십시오. 해당 국가의 먼지 방지 규정에 적합하며, 공식적으로 허용된 보호 등급의 산업용 진공 청소기만을 사용하십시오.
- ▶ 가능하면 먼지 포집장치 및 적합한 이동식 먼지 흡인기를 사용하십시오. 낱이 함유된 도료, 일부 목재, 콘크리트/조적벽돌/수정을 함유한 암석 및 금속과 같은 광물질로부터 나오는 먼지는 건강에 해로울 수 있습니다.
- ▶ 작업장을 잘 환기시키고 먼지의 종류에 따라 필요 시 보호마스크를 착용하십시오. 먼지를 흡입하거나 만질 경우, 사용자 또는 근처에 있는 사람에게 기관지 질병이나 알레르기 반응이 나타날 수 있습니다. 떡갈나무 입자 또는 너도밤나무 입자와 같은 특정 종류의 먼지는, 특히 목재 처리용으로 사용하는 첨가제(크롬산염, 목재 부식 방지제)와 결합하여 암을 일으킬 수 있습니다. 석면 물질은 전문기술자만 다룰 수 있습니다.
- ▶ 손가락의 혈액순환이 잘 되도록 하기 위해 휴식시간 동안 손가락 운동을 하십시오. 장시간 작업하면 진동으로 인해 혈관 장애 또는 손가락, 손 및 손목의 신경 체계에 이상이 있을 수 있습니다.

전기에 관한 안전수칙

- ▶ 작업을 시작하기 전에, 작업장에서 가려져 있거나 덮혀 있는 전기 배선, 가스 파이프 그리고 하수도관이 있는지를 점검하십시오. 실수로 전기 케이블을 손상시킨 경우, 기기 바깥쪽에 있는 금속 부품에서 전기 쇼크를 일으킬 수 있습니다.

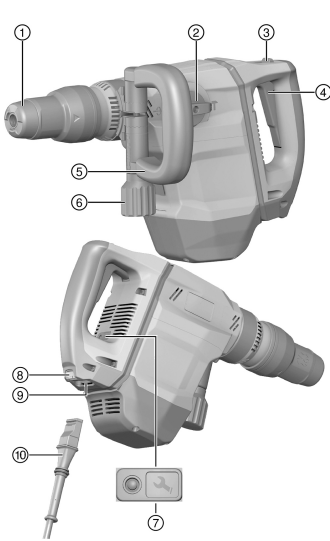
전동 공구의 올바른 사용방법과 취급방법

- ▶ 전동공구가 블로킹된 경우 즉시 전동공구의 스위치를 끄십시오. 기기가 옆으로 기울어질 수 있습니다.
- ▶ 전동공구를 내려놓기 전에 전동공구가 완전히 정지할 때까지 기다리십시오.



3 제품 설명

3.1 제품 개요



- ① 척 아답타
- ② 기능 선택 스위치
- ③ 컨트롤 스위치
- ④ 컨트롤 스위치 잠금버튼
- ⑤ 측면 손잡이
- ⑥ 노브
- ⑦ 서비스 표시기
- ⑧ 제동 버튼
- ⑨ 전동 공구의 연결부
- ⑩ 분리식 플러그 컨넥터가 달린 전원 케이블

3.2 규정에 맞는 사용

기술된 제품은 전동식으로 작동되는 브레이커입니다. 이 기기는 조적벽돌 및 콘크리트에서의 중난도 치질링 작업에 적합합니다.

▶ 형식 라벨에 제시되어 있는 정격 전압과 정격 주파수로만 기기를 작동시켜야 합니다.

3.3 Active Vibration Reduction (AVR)

브레이커에는 진동을 현저하게 줄여주는 Active Vibration Reduction (AVR) 시스템이 장착되어 있습니다.

3.4 잘못 사용할 수 있는 경우

- 본 제품은 건강에 유해한 물질을 가공하는 데 적합하지 않습니다.
- 본 제품은 습한 환경에서 작업하는 데 적합하지 않습니다.
- 본 제품은 형식 라벨에 제시되어 있는 정격 전압과 정격 주파수로만 기기를 작동시켜야 합니다.

3.5 서비스 표시기

브레이커에 램프 신호를 갖춘 서비스 표시기가 장착되어 있습니다.

상태	의미
서비스 표시기 점등.	서비스 받을 시점에 도달하였음.
서비스 표시기 점멸.	기기 손상. Hilti 서비스 센터에 제품 수리를 의뢰하십시오.

3.6 공급품목

브레이커, 측면 손잡이, 사용 설명서



해당 제품에 허용되는 기타 시스템 제품은 **Hilti Store** 또는 **www.hilti.group**에서 확인할 수 있습니다.



4 기술 지원

4.1 브레이커

정격 전압, 정격 전류, 주파수 및 정격 출력은 국가별 형식 라벨을 참조하십시오.

발전기 또는 변압기에서 작동할 경우, 발전기 및 변압기의 공급 출력이 본 기기의 형식 라벨에 적힌 정격 출력보다 최소 두 배 이상 높아야 합니다. 변압기 및 발전기의 작동 전압은 항상 기기의 정격 전압의 +5 % ~ -15 % 사이에 위치해야 합니다.

EPTA-Procedure 01에 따른 무게	TE 500-AVR 6.3kg
--------------------------	----------------------------

4.2 EN 60745에 따른 소음 정보 및 진동값

이 지침에 제시된 음압 및 진동수준은 표준화된 측정방법에 따라 측정된 것이며, 전동공구를 서로 비교하기 위한 용도로 사용할 수 있습니다. 음압 및 진동 수준은 노출 정도를 사전에 예측하는 데에도 유용하게 사용할 수 있도록 설계되어 있습니다. 제시된 데이터는 전동공구의 주된 용도를 나타냅니다. 그러나 전동공구를 다른 용도로 사용하거나 다른 공구 비트를 사용할 경우 또는 유지보수를 충분히 하지 않은 상태에서는 데이터에 편차가 있을 수 있습니다. 이러한 경우 전 작업시간에 걸쳐 노출이 현저하게 증가할 수 있습니다. 노출을 정확하게 평가하기 위해서는 기기 작동이 멈춰 있거나 또는 작동 중이지만 실제로는 사용하지 않는 시간도 고려해야 합니다. 이러한 경우 전 작업시간에 걸쳐 노출이 현저하게 감소할 수 있습니다. 사용자를 보호하기 위해 음파 그리고/또는 진동이 작용하기 전에 다음과 같은 추가적인 안전 조치를 취하십시오. 전동공구와 공구 비트의 유지보수, 손을 따뜻하게 유지, 작업순서 정하기 등.

소음 배출 값

	TE 500-AVR
소음 수준 (L_{WA})	95dB(A)
소음 수준 허용공차 (K_{WA})	3dB(A)
음압 수준 (L_{pA})	84dB(A)
음압 수준 허용공차 (K_{pA})	3dB(A)

진동 총 값

	TE 500-AVR
치즐링 작업 ($a_{h,Chaq}$)	6.8m/s ²
허용공차 (K)	1.5m/s ²

5 조작

5.1 작업 준비



주의

부상위험! 제품의 돌발적인 시동.

▶ 기기 설정 또는 액세서리를 교체하기 전에 전원 플러그를 당기십시오.

본 문서 및 제품에 나와 있는 안전 지침 및 경고 지침에 유의하십시오.

5.1.1 측면 손잡이 장착



주의

부상위험 브레이커 점검 누락됨.

▶ 측면 손잡이가 정확하게 설치되고 올바르게 고정되어 있는지 확인하십시오.

1. 홀더(조임 밴드)와 측면 손잡이를 앞쪽에서부터 척 아담타 위로 지정된 홈까지 미십시오.
2. 측면 손잡이를 원하는 위치로 설정하십시오.
3. 노브를 돌려서 측면 손잡이 홀더(조임 밴드)를 조이십시오.



5.1.2 전원 케이블 연결

주의

오염된 접점에서 누설 전류로 인한 부상 위험

▶ 깨끗하고, 건조하고, 전압이 흐르지 않는 상태에서만 분리식 전기 컨넥터를 전동 공구에 연결하십시오.

1. 분리식 플러그 전기 컨넥터를 기기 스톱 위치까지, 잠금 소리가 들릴 때까지 끼우십시오.
2. 전원 플러그를 소켓에 끼우십시오.

5.1.3 공구비트 삽입/분리

경고

부상위험 사용하면서 공구가 뜨거워질 수 있습니다.

▶ 공구 교체 시 보호장갑을 착용하십시오.

1. 드릴 샙크식 기기 비트를 가볍게 기름칠하십시오
2. 공구 비트를 스톱위치까지 척 아답타에 끼우고 장착하십시오.
 - ▶ 제품이 작동 가능한 상태입니다.
3. 공구 잠금장치를 스톱 위치까지 뒤고 당겨 기기 비트를 빼내십시오.



Hilti의 순정 그리스만 사용하십시오. 적합하지 않은 그리스를 사용하면 제품이 손상될 수 있습니다.

5.1.4 치줄 각도 조정

주의

부상위험 치줄링 방향 점검 생략.

▶ "치줄 각도 조정" 위치에서 작업하지 마십시오. 스위치가 맞물려 고정될 때까지 기능 선택 스위치를 "치줄링" 위치에 두십시오.



치줄 각도를 (15° 단위로) 24가지의 다양한 위치에 둘 수 있습니다. 이를 통해 평치줄과 성형 치줄을 항상 최적의 작업위치에서 작동시킬 수 있습니다.

1. 기능 선택 스위치를 ⇄ 위치에 두십시오.
2. 치줄을 원하는 위치로 돌리십시오.
3. 기능 선택 스위치를 고정될 때까지 T 위치에 두십시오.
 - ▶ 기기가 작동 가능 상태입니다.

5.1.5 전동 공구에서 전원 케이블 분리

1. 전원 플러그를 소켓에서 빼내십시오.
2. 제동 버튼을 눌러 분리식 플러그 전기 컨넥터를 빼내십시오.
3. 전원 케이블을 기기에서 당겨 빼십시오.

5.2 작업

경고

감전으로 인한 위험! 접지 도체 및 누전 차단기의 부재는 중상 및 화재를 유발할 수 있습니다.

- ▶ 공사현장의 전원 또는 발전기 전기 공급선에 접지 도체와 누전 차단기가 설치되어 있는지 그리고 연결되어 있는지 점검하십시오.
- ▶ 본 안전 지침 없이는 어떤 제품도 작동시키지 마십시오.

경고

손상된 케이블로 인한 위험! 작업하는 동안 전원 케이블이나 연장 케이블이 손상되었을 경우에는 절대로 케이블을 만지지 마십시오. 전원 플러그를 소켓에서 빼내십시오.

- ▶ 기기의 연결 케이블을 정기적으로 점검하고, 손상이 있을 경우 자격을 갖춘 전문가가 교환하도록 하십시오.

건축 감독 또는 현장 엔지니어로부터 작업 승인을 완전히 받아야 합니다.



5.2.1 치즐링 작업

- ▶ 기능 선택 스위치를 **T** 위치에 두십시오.

5.2.2 연속 작동 모드 ON/OFF



치즐링 작업에서 ON/OFF스위치를 스위치가 켜진 상태에서 잠글 수 있습니다.

1. 연속 작동 모드 잠금버튼을 **앞쪽**으로 미십시오.
2. ON/OFF 스위치를 끝까지 누르십시오.
 - ▶ 이제 본 제품은 연속 작동 모드에서 작동합니다.
3. 연속 작동 모드 잠금버튼을 **뒤쪽**으로 미십시오.
 - ▶ 제품이 꺼집니다.

6 관리 및 유지보수

경고

감전 위험! 전원 플러그가 삽입된 상태에서 관리 및 수리 작업을 진행하면 중상 및 화상을 입을 수 있습니다.

- ▶ 관리 및 수리 작업을 진행하기 전에 항상 전원 플러그를 분리하십시오!

관리

- 공구에 부착된 오염물질을 조심스럽게 제거하십시오.
- 마른 솔로 환기 흡을 조심스럽게 청소하십시오.
- 하우징은 약간 물을 적신 천으로만 닦으십시오. 플라스틱 부품을 손상시킬 수 있으므로 절대로 실리콘이 함유된 보호제를 사용하지 마십시오.

유지보수

경고

감전으로 인한 위험! 전기 구성부품에서 부적절하게 수리하면 중상을 입거나 화재를 야기할 수 있습니다.

- ▶ 전기 부품은 반드시 전기 기술자가 수리하도록 해야 합니다.

- 눈에 보이는 모든 부품은 정기적으로 손상 여부를 점검하고 조작 요소가 아무 문제없이 작동하는지 점검하십시오.
- 손상되었거나 기능 장애가 있는 경우에는 제품을 작동하지 마십시오. 바로 Hilti 서비스 센터에서 수리받으십시오.
- 관리 및 수리 작업 후 모든 보호장치를 가져와 기능을 점검하십시오.



안전한 사용을 위해서 순정 예비 부품 및 소모품만을 사용하십시오. 해당 제품에 허용되는 예비 부품, 소모품 및 액세서리는 **Hilti Store** 또는 **www.hilti.group**에서 확인할 수 있습니다.

7 운반 및 보관

- 전동공구는 공구가 끼워진 상태에서 운반하지 마십시오.
- 전동공구는 항상 전원 플러그를 당긴 상태로 보관하십시오.
- 기기는 건조한 상태로 보관하고 어린이 및 허용되지 않는 사람의 손에 닿지 않도록 하십시오.
- 전동공구를 장시간 운반 또는 보관한 후에는 사용하기 전에 손상 여부를 점검하십시오.

8 문제 발생 시 도움말

본 도표에 제시되어 있지 않거나 스스로 해결할 수 없는 문제가 발생한 경우 Hilti 서비스 센터에 문의해 주십시오.

8.1 고장 시 대책

장애	예상되는 원인	해결책
브레이크가 작동하지 않음.	전원이 공급되지 않음.	▶ 다른 전동 공구를 끼워 기능을 점검하십시오.
	전원공급중단 후에 전자식 작동금지가 활성화됨.	▶ 기기를 껐다가 다시 켜십시오.



장애	예상되는 원인	해결책
브레이커가 작동하지 않음.	발전기가 수면 모드에 있음.	▶ 발전기를 보조 전력 기기에 연결하십시오(예: 공사현장 전등). 그리고 나서 기기를 켜다가 다시 켜십시오.
	기기 손상.	▶ Hilti 서비스 센터에 제품 수리를 의뢰하십시오.
	카본이 마모됨.	▶ 전기 기술자가 점검하도록 하고, 필요시 교환하십시오.
타격이 되지 않음.	기기 과냉 상태.	▶ 브레이커를 모재에 두고 공회전 상태로 작동시키십시오. 필요한 경우 함마링 장치가 작동될 때까지 과정을 반복하십시오.
브레이커가 전출력으로 작동되지 않음.	연장 케이블이 너무 김 그리고 / 또는 심선 단면적이 너무 작음.	▶ 허용된 길이로 된 연장 케이블 그리고 / 또는 단면적 크기가 충분한 심선을 사용하십시오.
	컨트롤 스위치가 완전히 눌러지지 않음.	▶ 컨트롤 스위치를 스톱위치까지 끝까지 누르십시오.
치출이 잠금 상태에서 풀리지 않음.	척 아답타를 완전히 뒤로 당기지 않았음.	▶ 공구 잠금장치를 스톱위치까지 뒤로 당긴 다음 공구를 빼내십시오.
서비스 표시기 점멸.	기기 손상.	▶ Hilti 서비스 센터에 제품 수리를 의뢰하십시오.
서비스 표시기 점등.	카본이 마모됨.	▶ 전기 기술자가 점검하도록 하고, 필요시 교환하십시오.
	기기 손상 또는 서비스 받을 시점에 도달하였음.	▶ 제품을 Hilti 서비스 센터에서 수리 받으시기 바랍니다.

9 폐기

Hilti 기기는 대부분 재사용이 가능한 소재로 제작되었습니다. 재활용을 위해 개별 부품을 분리하여 주십시오. **Hilti**는 대부분의 국가에서 재활용을 위해 노후기기를 수거해 갑니다. **Hilti** 고객 서비스센터 또는 판매 상담자에게 문의하십시오.



- ▶ 전동 공구, 전자식 기기 및 배터리를 일반 가정 쓰레기로 폐기하지 마십시오!

10 RoHS (유해물질 사용 제한 지침)

아래 링크에서 유해물질에 관한 도표를 확인할 수 있습니다. qr.hilti.com/rxxx.
RoHS 도표로 이어지는 링크는 본 문서 끝에 QR 코드 형식으로 제시되어 있습니다.

11 제조회사 보증

- ▶ 보증 조건에 관한 질문사항은 현지 **Hilti** 파트너사에 문의하십시오.

原始操作說明

1 關於操作說明的資訊

1.1 關於此文件

- 初次使用前, 請詳讀本操作說明。這是安全作業和使用無虞的先決條件。
- 請遵守本操作說明中與產品上的安全說明和警告。
- 操作說明應與產品一起保管, 產品交予他人時務必連同本操作說明一併轉交。

僅適用於台灣



2146361

繁體中文

57

1.2 已使用的符號解釋

1.2.1 警告

警告您在操作或使用本產品時可能發生之危險。採用了以下標示文字：



危險

危險！

▶ 此標語警示會發生對人造成嚴重傷害甚至致死的危險情形。



警告

警告！

▶ 此標語警示會造成嚴重傷害甚至致死危險的潛在威脅。



注意

注意！

▶ 請小心會造成人員受傷或對設備及其他財產造成損害的潛在危險情況。

1.2.2 操作說明中的符號

本操作說明中採用以下符號：



請遵照操作說明



使用操作說明與其他資訊



處理可回收的材料



不可將電子設備與電池當作家庭廢棄物處置



Hilti 鋰電池



Hilti 充電器

1.2.3 圖解中的符號

圖解中採用了以下符號：

2

號碼對應操作說明的開始處的圖解。

3

編號代表圖解中的操作步驟順序，可能與內文中的步驟有所不同。

⑪

概覽圖解中使用位置編號，方便您對應到產品概覽段落中的圖例編號。



這些特色是為了讓您在操作本產品時可以注意某些重點。

1.3 已使用的符號解釋

1.3.1 產品上的符號

產品上採用下列符號：



鑿孔



定位鑿子



防護等級II（雙重絕緣）



n_0	無負載下的額定速率
	穿戴安全手套

1.4 產品資訊

HILTI 產品是針對專業使用者設計，故僅經訓練、認可的人員可操作、維修與維護本產品。必須告知上述人員關於可能遭遇到的特殊危險。若因未經訓練人員操作錯誤或未依照其原本的用途操作，則本產品和它的輔助工具設備有可能會發生危險。類型名稱和序號都標示於額定銘牌上。

- ▶ 在下方表格中填入序號。與Hilti維修中心或當地Hilti機關聯絡查詢產品相關事宜時，我們需要您提供產品詳細資訊。

產品資訊

鑿破機	TE 500-AVR
產品代別	03
序號	

1.5 符合聲明

基於我們唯一的責任，本公司在此聲明本產品符合適用的指示或標準。本文件結尾處有符合聲明之副本。技術文件已歸檔：

Hilti Entwicklungsgesellschaft mbH | Tool Certification | Toolstrasse 6 | 86916 Kaufering, Germany

2 安全性

2.1 一般電動機具安全警告

▲ 警告 請詳閱本電動機具提供的所有安全警告、指示、圖解和說明。未能遵守以下所有指示可能會造成電擊事故、火災和/或嚴重的傷害。

妥善保存所有警示及說明，以供將來參考。

注意事項中的「機具」係指使用電源（有線）或電池（無線）的電動機具。

工作區域安全

- ▶ 請保持工作區的清潔與採光充足。雜亂而昏暗的工作區會導致意外發生。
- ▶ 勿在容易發生爆炸的環境中使用機具，例如有可燃性液體、瓦斯或粉塵存在的環境。機具產生的火花可能會引燃塵埃或煙霧。
- ▶ 操作機具時，請與兒童及旁人保持距離。注意力不集中時容易發生失控的情形。

電力安全

- ▶ 機具插頭與插座須能互相搭配。勿以任何方式改裝插頭。勿將任何變壓器插頭和與地面接觸（接地）的電動機具搭配使用。未經改裝的插頭以及能互相搭配的插座可減少發生電擊的危險。
- ▶ 避免讓身體碰觸到如管線、散熱器、爐灶與冰箱等與土地或地表接觸之物品。如果您的身體接觸到地表或地面，將增加電擊的危險。
- ▶ 請勿將機具曝露在下雨或潮濕的環境中。若水氣進入機具中將增加觸電的危險。
- ▶ 勿濫用電纜線。勿以電纜線吊掛、拖拉機具或拔下機具插頭。電纜線應避開熱氣、油、銳利的邊緣或移動性零件。電纜線損壞或纏繞會增加發生電擊事故的危險。
- ▶ 於室外操作機具時，須使用適用於戶外的延長線。使用適合戶外使用的延長線可降低觸電的風險。
- ▶ 如果無法避免在潮濕的地點操作機具，請使用漏電斷路器（RCD）保護電源供應器。使用漏電斷路器（RCD）可降低電擊的風險。

人員安全

- ▶ 操作機具時，請提高警覺，注意進行中的工作並善用常識。感到疲勞或受到藥物、酒精或治療的影響時勿使用機具。操作機具時稍不留神就可能造成嚴重的人員傷亡。
- ▶ 穿戴個人防護裝備。請隨時穿戴眼罩。適當使用防塵面罩、防滑鞋、安全帽及耳罩等安全防護配備可減少人員的傷害。
- ▶ 避免不經意的啟動。在接上電源或電池組、抬起或攜帶機具之前，務必確認開關處於關閉的位置。攜帶機具時，如果把手指放在開關上，或在開關開啟時，將機具插上插頭容易發生意外。
- ▶ 啟動機具前，應將所有調整鑰匙或扳手移開。將扳手或鑰匙留在機具的旋轉零件中可能會造成人員傷害。
- ▶ 勿將手伸出過遠。隨時站穩並維持平衡。這可讓您在意外情況發生時，對機具有較好的控制。



- ▶ 穿著適當服裝。請勿穿著寬鬆的衣服或佩戴珠寶。頭髮、衣服與手套應遠離移動性零件。移動性零件可能會夾到寬鬆的衣服、珠寶或長髮。
- ▶ 如果機具可連接吸塵裝置與集塵設備，請連接並適當使用這些設備。使用集塵裝置可降低與粉塵有關的危險。
- ▶ 請勿因頻繁而習慣使用機具便疏於遵守或忽略機具的安全規範。草率使用可能在轉眼間便造成嚴重的傷害。

機具使用與保養

- ▶ 不可強制使用機具。依據用途使用正確的機具。根據設計的速率使用機具可更快速安全地完成工作。
- ▶ 若開關無法啟動或關閉電動工具時，請勿使用電動工具。任何無法以開關控制的機具都很危險且需要維修。
- ▶ 在進行任何調整、更換配件、或存放電動機具前，請先將插頭拔離插座和 / 或將電池組自電動機具卸下（如可拆卸）。此預防安全措施可降低機具意外啟動的風險。
- ▶ 將閒置的機具存放在兒童拿不到的地方，勿讓不熟悉或未詳閱本說明的人員操作本機具。機具在未經訓練的使用者手中是很危險的。
- ▶ 維護機具與配件。請檢查移動性零件有無偏移或黏合的情形、零件有無破損，以及任何會影響機具運轉的狀況。如果機具受損，請先維修後再使用。很多意外便是由維護不當的機具造成的。
- ▶ 保持切割機具的銳利與清潔。具銳利切割邊緣的切割機具如果得到適當的維護，便較不會發生黏合的現象，且較容易控制。
- ▶ 遵守本指示說明使用機具、配件和工具組等，並考量工作條件與待進行的工作。將機具用在原目的之外用途可能會造成危險。
- ▶ 保持握把與其表面的乾燥、清潔且不要讓上面出現油漬。握把及其表面濕滑會在意外情況中造成機具無法安全掌控。

維修服務

- ▶ 請將機具交給合格的維修人員進行維修，並使用相同的替代零件。這可確保維護機具安全。

2.2 鎚擊安全警告

- ▶ 請配戴耳罩。暴露於噪音環境下會導致聽力受損。
- ▶ 請使用機具輔助握把。機具失控可能導致人員受傷。
- ▶ 當所進行的工作，其切割配件可能會碰觸到隱藏配線或其自身的電線時，進行操作時請握住機具的絕緣握把。與「導電」電線接觸的切割配件可能會導致機具暴露在外金屬零件「導電」，使得操作人員遭受電擊。

2.3 其他安全指示

人員安全

- ▶ 請使用狀態良好無瑕疵的機具。
- ▶ 勿嘗試以任何方式改裝機具。
- ▶ 若工作包含鑿穿作業，請於工件另一面一併採取適當的防護措施。鑿穿的碎片會掉落和 / 或造成他人受傷。
- ▶ 以雙手握住機具的握把。請保持機具握把清潔和乾燥。
- ▶ 請務必握緊側向握把的末端。
- ▶ 使用機具時，請穿戴適當的護目鏡、耳罩、防護手套以及輕型呼吸保護器。
- ▶ 請在更換配件工具時也戴上防護手套。觸摸配件工具可能會造成受傷（割傷或燙傷）。
- ▶ 穿戴護目鏡。飛散的碎片可能會傷害身體與眼睛。
- ▶ 在開始作業前，請先針對作業時所產生粉塵之危險等級進行檢查。使用符合當地粉塵防治條例，且經法定認可為保護等級之工業用吸塵器。
- ▶ 可能的話，請連接除塵系統以及適合的吸塵器。像是含鉛塗料、部份木材、含矽混凝土 / 石材 / 石頭、礦物與金屬等基材所產生的粉塵可能對人體有害。
- ▶ 請確保工作場所所有良好通風，必要時，請依會產生的粉塵類型配戴適合的口罩。操作人員與旁觀者接觸或吸入粉塵可能會引起過敏及 / 或造成呼吸問題或其他疾病。像是橡木與山毛櫸木材的粉塵已列為致癌物質，尤其是當它們使用調濕塗料（鉻酸鹽、木材防腐劑）時。包含石綿之基材務必由專人處理。
- ▶ 請利用工作空檔時休息，並活動您的手指以促進血液循環。長時間暴露在震動下會造成手指、手掌和手腕的血管和神經系統失調。

電力安全

- ▶ 開始工作前，請先檢查工作區域是否有隱藏的電纜線、瓦斯管或水管。若不小心損害電纜線時，機具外部的金屬零件可能會導電而造成電擊的危險。

小心處理與使用電動機具

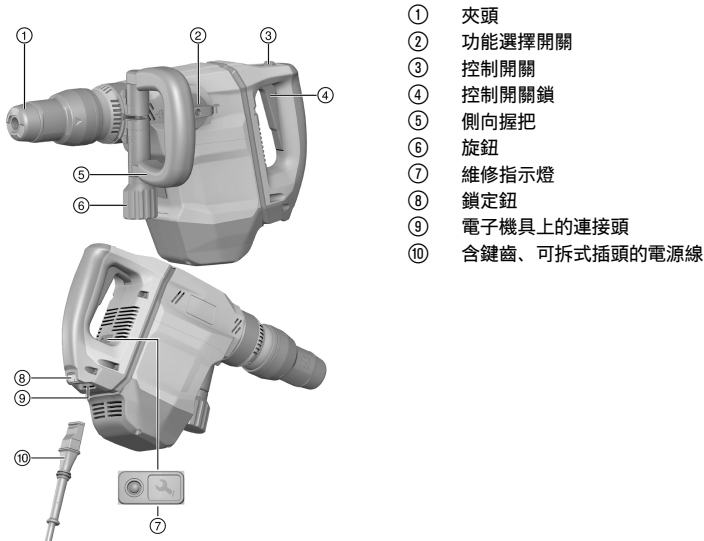
- ▶ 若配件卡住或空轉請關閉機具。機具可能會橫向偏轉。



► 請等候機具完全停止再將其放下。

3 說明

3.1 產品總覽



- ① 夾頭
- ② 功能選擇開關
- ③ 控制開關
- ④ 控制開關鎖
- ⑤ 側向握把
- ⑥ 旋鈕
- ⑦ 維修指示燈
- ⑧ 鎖定鈕
- ⑨ 電子機具上的連接頭
- ⑩ 含鍵齒、可拆式插頭的電源線

3.2 用途

本產品為電動鑿破機。適合用於石材與混凝土的中負載鑿孔作業。

► 操作時務必使用符合機具型號識別牌上所標示的電壓及電頻。

3.3 Active Vibration Reduction (AVR)

本鑿破機配備主動減震（Active Vibration Reduction (AVR)），能大幅減少震動。

3.4 可能發生的誤用

- 本產品不適合用於金屬相關作業。
- 本產品不適合在潮濕環境下作業。
- 產品應連接至符合機具型號識別牌上所標示電壓及電頻的電源。

3.5 維修指示燈

本鑿破機配備維修LED指示燈。

狀態	意義
維修指示燈亮起。	維修間隔結束 - 維修日期已到。
維修指示燈閃爍。	產品故障。請將產品交付Hilti維修中心進行維修。

3.6 配備及數量

鑿破機、側向握把、操作說明。



關於本產品，您可於當地www.hilti.group或網站查詢其他經過認證可搭配使用的系統產品：
Hilti Store



4 技術資料

4.1 鑿破機

關於額定電壓、頻率、電流和輸入功率，請參照機具的特定國家型號識別牌。

如果要使用發電機或變壓器供電，必須至少能提供兩倍於機具額定銘板上標示的額定輸入值電力。發電機或變壓器的操作電壓必須隨時介於機具額定電壓+5%和-15%以內。

	TE 500-AVR
重量 (依據EPTA程序01)	6.3 kg

4.2 噪音資訊和震動值 (依據EN 60745)

操作說明中所提供之音壓和震動值已參照標準測量，並可用來比較不同電子機具之噪音。它們也可作為噪音量的初步評估。提供之資料表示電子機具主要應用時之數值。若電子機具應用於不同之用途，搭配不同的配件工具或在保養不良的情況下，其數據可能有所不同。在作業過程中，這有可能大量提高其噪音量。當機具關閉，或開啟但未進行任何作業時也應列入考量，才能準確評估噪音量。如此一來，作業過程中的總噪音量將大幅降低。確認其他安全措施，以保護操作員不受噪音和 / 或震動影響，例如：保養電子機具與其配件、操作前保持雙手溫暖、作業型式之安排等。

噪音強度

	TE 500-AVR
聲功率級數 (L_{WA})	95 dB(A)
無法判定的聲功率級數 (K_{WA})	3 dB(A)
音壓級數 (L_{pA})	84 dB(A)
無法判定的音壓級數 (K_{pA})	3 dB(A)

總震動

	TE 500-AVR
鑿孔 (a_{h, Cheq})	6.8 m/s ²
無法判定 (K)	1.5 m/s ²

5 操作

5.1 工作場所的準備工作

注意

有受傷的危險！產品意外啟動。

- ▶ 在調整機具或變更配件前，請先拔除電源線。

請遵守本文件中與產品上的安全說明和警告。

5.1.1 安裝側向握把

注意

有受傷的危險！無法掌控鑿破機。

- ▶ 檢查側向握把是否正確安裝且緊固。

1. 將側向握把夾緊帶由前方繞過夾頭，然後推入提供的凹槽中。
2. 將側向握把轉至需要的位置。
3. 要固定側向握把，請旋轉旋鈕直到夾緊帶鎖緊。

5.1.2 連接可拆式電源線

注意

有受傷的危險！因接點髒污的漏電流而造成。

- ▶ 只有在可拆式電力連接頭乾淨、乾燥且電源線未插入插座時，才能連接到機具。



1. 將含鍵齒、可拆式電子插頭連接頭盡量推入插座中，直到聽見咬合聲。
2. 將電源線插頭插入插座。

5.1.3 安裝 / 卸下配件

警告

有受傷的危險！機具使用後會變熱。

- ▶ 更換機具時請配戴手套。

1. 在配件工具的連接頭添加少量的潤滑油。
2. 盡可能將配件工具推入夾具內，直到咬合為止。
 - ▶ 產品已可以使用。
3. 將夾頭拉回直到移除配件工具為止。



限使用Hilti提供的建議潤滑劑。使用不適合的潤滑劑可能會造成產品損壞。

5.1.4 定位鑿子

注意

有受傷的危險！無法掌控鑿子方向。

- ▶ 當選擇開關設定為「鑿子定位」時，請勿操作機具。將功能選擇開關轉到「鑿孔」位置。



鑿子可調整24段檔位（每15°一段）。這樣便可確保扁鑿和各形狀的鑿子可以設定在最佳運作段位。

1. 將功能選擇開關設定至 位置。
2. 將鑿子旋轉到需要的位置。
3. 將功能選擇開關切換至 位置。
 - ▶ 機具已可以使用。

5.1.5 拔除可拆式電源線

1. 將電源線插頭自插座拔離。
2. 按下拆卸鈕，然後將含鍵齒、可拆式電子插頭連接頭從插座上拔出。
3. 將電源線連接頭從機具中取出。

5.2 工作類型

警告

觸電風險！若操作沒有接地導線及未正確連接漏電斷路器的機具，會造成人員嚴重傷害或灼傷。

- ▶ 不論使用的主電源或發電機功率為何，請務必確認已正確連接適當的接地導線且電源已安裝漏電斷路器。
- ▶ 除非上述安全措施已確實安裝且正常運作，否則不得使用本產品。

警告

受損的電源線會造成危險！當機具運轉時，如果發現電源線或延長線受損，請勿碰觸。請將電源線插頭自插座拔除。

- ▶ 請定期檢查設備的電源線，並在發現損壞時，請合格的電力專員更換。

開始進行作業前，須得到現場工程師或建築師的完整許可。

5.2.1 鑿孔

- ▶ 將功能選擇開關設定至 位置。

5.2.2 切換連續運轉開關



鑿孔時，可將On/Off開關鎖定在「開啟」的位置。



1. 將連續運轉鎖定開關往前推。
2. 按下On/Off開關直到可以運轉為止。
 - ▶ 產品會以連續運轉模式運轉。
3. 將持續運轉鎖定鈕向後推。
 - ▶ 產品即關閉。

6 維護及保養



警告

觸電危險！ 電源線仍連接到電源插座時進行維護和保養會造成嚴重的傷害或灼傷。

- ▶ 進行維護及保養前，請務必拔下電源線。

注意

- 仔細清除機具的頑強灰塵。
- 請使用乾燥的刷子小心清潔通風口。
- 僅能使用微濕軟布清潔外殼。勿使用含硅樹脂的清潔或亮光劑，因為可能會造成塑膠零件損壞。

維護



警告

電擊的風險！ 損壞的電子零件會造成嚴重的人員傷害及灼傷。

- ▶ 機具或設備電力部分的維修僅可交由訓練過的電力專員處理。

- 定期檢查外部零件和控制元件有無損壞跡象，並確認它們運作正常。
- 如果有損壞跡象或任何零件功能故障，請不要操作本產品。請將產品立刻交付Hilti維修中心進行維修。
- 清潔及保養後，裝上所有防護套或保護裝置並檢查功能是否正常。



為確保操作的安全及可靠性，請務必使用原廠Hilti備件與耗材。要選購Hilti認可的備件、耗材和配件，請至Hilti Store或網站：www.hilti.group。

7 搬運和貯放

- 搬運電子機具時請勿安裝配件。
- 貯放電子機具或設備前請務必將電源線拔掉。
- 請將工具與設備貯放在乾燥且兒童或未授權的人員無法觸及的地點。
- 長時間搬運與貯放後請檢查電子機具或設備是否有損壞。

8 故障排除

若您遇到未列出的問題或是無法自行排除的問題，請聯絡Hilti維修中心。

8.1 故障排除

故障	可能原因	解決方法
鑿破機未啟動。	電源供應中斷。	▶ 插入另一電子機具或電器的插頭並檢查是否可啟動。
	電源中斷後電子重新啟動聯鎖裝置啟用。	▶ 關閉機具後再開啟。
	發電機處於睡眠模式。	▶ 連接第二個電力消耗裝置（例如工作燈）至發電機上。將機具先關閉再開啟。
	機具發生故障。	▶ 請將產品交付Hilti維修中心進行維修。
無鎚擊動作。	碳刷磨損。	▶ 送交經訓練電力專員檢查，必要時予以更換。
	機具溫度太冷。	▶ 讓配件工具的尖端與工作面接觸，開啟機具使之旋轉。如果需要，請重複此程序直到鎚擊機制開始運作。



故障	可能原因	解決方法
鑿破機無法達到全功率。	延長線太長或口徑規格不足。	▶ 使用經認可的延長線及 / 或足夠的口徑。
	未完全按下控制開關。	▶ 按壓控制開關直到可以運轉為止。
鑿子無法從夾具上鬆開。	夾頭未完全拉回。	▶ 將夾頭拉回直到移除彈圈夾具為止。
維修指示燈閃爍。	機具發生故障。	▶ 請將產品交付Hilti維修中心進行維修。
維修指示燈亮起。	碳刷磨損。	▶ 送交經訓練電力專員檢查，必要時予以更換。
	機具發生錯誤或維修日期已到。	▶ 請務必將受損產品交付Hilti維修中心進行維修。

9 廢棄設備處置

Hilti機具或設備所採用的材料大部分均可回收再利用。材料在回收前必須正確地分類。在許多國家中，您可以將舊機具及設備送回Hilti進行回收。詳情請洽Hilti維修中心，或當地Hilti代理商。



- ▶ 請勿將機具、電子設備或電池當作一般家用廢棄物處理！

10 RoHS (有害物質限制指令)

下列連結可前往危險物質的表格：qr.hilti.com/rxxx。
您可在文件最後找到QR碼格式的RoHS表連結。

11 製造商保固

- ▶ 如果您對於保固條件有任何問題，請聯絡當地Hilti代理商。

Hilti Taiwan Co., Ltd.

24F., No. 16, Xinzhan Rd., Banqiao Dist., New Taipei City 220, Taiwan (R.O.C.)

Tel. 0800-221-036

原版操作说明

1 关于本操作说明的信息

1.1 关于本操作说明

- 首次使用或操作产品前，先阅读本操作说明。这是安全、无故障操作和使用产品的先决条件。
- 请注意本操作说明中以及产品上的安全说明和警告。
- 请务必将本操作说明与本产品保存在一起，确保将操作说明随产品一起交给他人。

1.2 所用标志的说明

1.2.1 警告

警告是为了提醒您在使用此产品时会发生的危险。使用以下信号词：



危险！

- ▶ 用于让人们能够注意到会导致严重身体伤害或致命的迫近危险。





-警告-

警告！

► 用于提醒人们注意可能导致严重或致命伤害的潜在危险。



-小心-

小心！

► 用于提醒人们注意可能造成人身伤害、设备损坏或其他财产损失的潜在危险情况。

1.2.2 操作说明中的符号

本操作说明中使用下列符号：



遵守操作说明



使用说明和其他有用信息



处理可回收材料



不得将电气设备和电池作为生活垃圾处置



Hilti 锂离子电池



Hilti 充电器

1.2.3 图示中的符号

图示中使用了下列符号：

2

这些编号指本操作说明开始处的相应图示。

3

图示中的编号反映操作顺序，可能与文本中描述的步骤不同。

11

位置编号被用于概览图中并表示产品概览段落中的图例编号。



这些字符旨在提醒您特别注意操作本产品时的某些要点。

1.3 所用标志的说明

1.3.1 产品使用的符号

产品上使用以下标志：



凿边



凿子定位



保护等级 II (双重绝缘)

n_0

无负荷下的额定转速



戴上防护手套

1.4 产品信息

产品设计适用于专业用户，只有经过专门训练的授权人员才允许操作、维修和维护本产品。必须将任何可能的危险专门告知该人员。不按照既定用途使用或由未经培训的人员不正确地使用本产品及其辅助设备可能会带来危险。

型号名称和序列号印在铭牌上。



- ▶ 在下表中填写序列号。在联系 Hilti 维修中心或当地 Hilti 机构询问产品时，将要求您提供产品的详细信息。
产品信息

破碎机	TE 500-AVR
分代号	03
序列号	

1.5 符合性声明

按照我们单方面的责任，我们声明本产品符合下列适用指令和标准：一致性声明副本位于本文档结尾处。
技术文档在此处归档：

Hilti Entwicklungsgesellschaft mbH | Tool Certification | Hiltistrasse 6 | 86916 Kaufering, Germany

2 安全

2.1 一般电动工具安全警告

⚠ 警告 请阅读本电动工具随附的所有安全警告、说明、图示和技术规范。不遵守下列所有操作说明可能会导致电击、火灾和/或严重人身伤害。

请保存所有安全警告和操作说明，以供将来参考。

在所有下列的警告中术语“电动工具”指市电驱动(有线)电动工具或电池驱动(无线)电动工具。

工作区域安全

- ▶ 保持工作区域清洁和良好照明。杂乱和黑暗的区域容易导致事故。
- ▶ 不要在爆炸性环境中操作电动工具，例如有易燃液体、气体或灰尘。电动工具会产生可以点燃这些灰尘或烟雾的火花。
- ▶ 在操作电动工具时，要让儿童和旁观者远离工作现场。万一分心，可能会使您失去对电动工具的控制。

电气安全

- ▶ 电动工具(设备)插头必须匹配电源插座。切勿以任何方式改动插头。对于接地的电动工具(设备)，不要使用任何适配器插头。使用未经改动的插头和匹配的电源插座可以大大减少电击危险。
- ▶ 避免人体接触接地表面，如管道、散热片和冰箱。如果您的身体接地，则会增加电击危险。
- ▶ 不要将电动工具暴露在雨水或潮湿环境中。电动工具进水将会增加电击危险。
- ▶ 不要滥用电缆。切勿使用电缆运送、拉动或拔出电动工具。保持电缆远离高温、油、锋利边缘或运动部件。电缆损坏或缠绕会增加电击危险。
- ▶ 当在户外操作电动工具时，应使用经认可适合户外操作的加长电缆。使用适合户外使用的电缆可减少电击危险。
- ▶ 如果在潮湿环境下操作电动工具是不可避免的，应使用剩余电流动作保护器(RCD)。使用 RCD 可减小电击危险。

人身安全

- ▶ 保持警觉，注意您正在进行的工作，并在操作电动工具的过程中，应利用自己的判断能力。当您疲劳或受到药物、酒精或医疗影响时，请不要使用电动工具。当操作电动工具时，瞬间的分心都可能导致严重的人身伤害。
- ▶ 使用个人防护装备。一定要戴上护目装置。安全装置，诸如适当条件下使用防全面具、防滑安全鞋、安全帽、听力防护等装置能减少人身伤害。
- ▶ 防止电动工具意外启动。在连接至电源和/或电池组、拿起或搬运电动工具之前，应确保开关处于“关闭”位置。将手指放在开关上搬运电动工具或在开关处于“打开”位置时接通电源，都可能会导致事故发生。
- ▶ 在打开电动工具之前，必须拿掉任何调整键或扳手。让扳手或调整键留在电动工具的旋转部件上可能会导致人身伤害。
- ▶ 不要操之过急。应时刻保持正确的站姿和平衡。这在意外情况下能够更好地控制电动工具。
- ▶ 应确保正确着装。不要穿着松垮的衣服或佩戴首饰。让头发和衣服远离运动部件。松垮的衣服、首饰或长发会卡在运动部件中。
- ▶ 如果提供有用于连接除尘和集尘设施的装置，应确保将它们连接好并正确使用。使用除尘装置可以减少与灰尘相关的危险。
- ▶ 经常使用工具能令您获得较高的熟练度，但不能因此掉以轻心和忽视工具安全准则。一次不慎操作就会在瞬间导致重伤。

电动工具的使用和维护

- ▶ 不要强制使用电动工具。针对您的应用场合使用正确的电动工具。正确的电动工具在其额定设计值范围内将能够更好和更安全地工作。
- ▶ 如果通过开关不能使其打开和关闭，则请不要使用电动工具。任何不能通过开关进行控制的电动工具都是危险的，必须对其进行修理。



- ▶ 在进行任何调整、更换配件或存放电动工具之前，应从电源上断开插头和/或从电动工具上拆下电池组（若可拆卸）。此预防性安全措施可减少意外启动电动工具的危险。
- ▶ 将不用的电动工具存放在儿童拿不到的地方，并且不要让不熟悉电动工具或其操作说明的人员操作电动工具。未经培训的用户操作电动工具是危险的。
- ▶ 维护电动工具和配件。检查是否存在运动部件失调或卡滞、部件断裂和任何其它影响电动工具操作的情况。如果存在损坏，则在使用之前应修理电动工具。许多事故都是由于电动工具维护不良造成的。
- ▶ 保持切削工具锋利和清洁。带锋利切削刃的切削工具如果维护得当，很少会发生卡滞且更容易控制。
- ▶ 按照使用说明，考虑作业条件和进行的作业来使用电动工具、附件和工具的刀头等。将电动工具用于指定用途以外的场合会导致危险。
- ▶ 使手柄和抓握面保持干燥、清洁且没有油脂。如果手柄和抓握面打滑，将无法在意外情况下安全操作或控制本工具。

保养

- ▶ 将您的电动工具送交专业维修人员，使用同样的备件进行修理。这样才能确保维持电动工具（设备）的安全性。

2.2 锤钻安全警告

- ▶ 戴好耳罩。暴露在噪声中会引起听力损伤。
- ▶ 使用随工具提供的辅助手柄。操作失手会引起人身伤害。
- ▶ 在切削附件可能触及暗线或其自身软线之处进行操作时，要通过绝缘握持面来握持工具。切削附件碰到带电导线会使工具外露的金属零件带电从而使操作者受到电击。

2.3 附加的安全说明

人身安全

- ▶ 工具处于良好的技术状态时才能使用。
- ▶ 不得以任何方式篡改或改动本工具。
- ▶ 在需要穿透的待加工工件的对侧采取适当的安全措施。被钻下的工件部分可能会弹出或掉落并伤害到其他人。
- ▶ 请务必用双手通过提供的把手握住电动工具。保持把手清洁干燥。
- ▶ 始终握紧侧面手柄的最外端。
- ▶ 使用工具时，必须佩戴适当的护目镜、安全帽、护耳装置、防护手套和轻型呼吸防护装置。
- ▶ 更换配套工具时，戴上防护手套。触摸配套工具会带来伤害风险（割伤或烫伤）。
- ▶ 请戴上护目装置。飞溅的碎片有导致身体和眼睛受伤的风险。
- ▶ 在开始工作之前，应测定会产生粉尘的危险等级。使用具有官方认可防护等级的工业真空吸尘器，并遵守当地适用的粉尘防护规定。
- ▶ 尽可能使用除尘系统和适当的真空吸尘器。一些材料产生的粉尘，例如含铅油漆、某些木屑、混凝土/砖石建筑/含二氧化硅的石块，矿物以及金属，可能对人体有害。
- ▶ 确保工作场所通风良好，必要时佩戴适用于产生的粉尘类型的呼吸器。接触或吸入这些粉尘可能会导致操作者或旁观者出现过敏反应和/或呼吸疾病或其他疾病。某些种类的粉尘还属于致癌物质，例如橡木和山毛榉木粉尘，特别是在带木材调节添加剂（铬酸盐、木材防腐剂）时。含石棉的材料只能由专业人员进行处理。
- ▶ 工作间隙抽时间休息并做体育锻炼，改善手指的血液循环状况。工作期间长时间暴露于振动环境中可能导致手指、手掌和手腕部位血管和神经系统紊乱。

电气安全

- ▶ 开始工作之前，检查工作区域是否有隐蔽的电缆或天然气和水管。如果您意外损坏了电缆，电动工具的外部金属部件可能带电，带来电击风险。

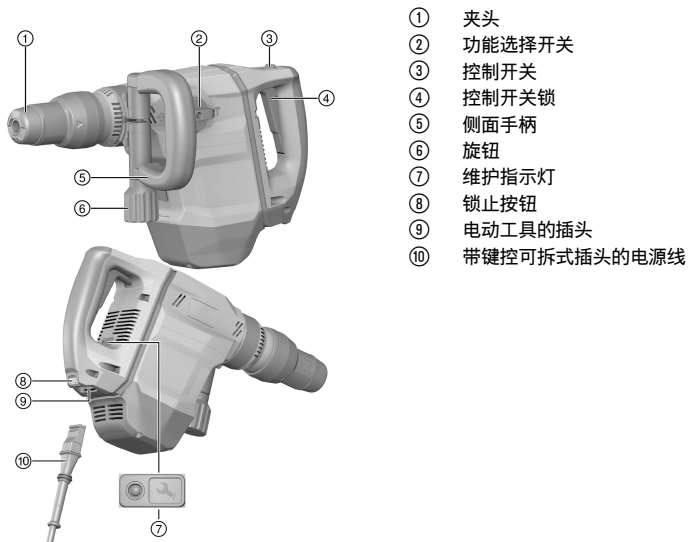
小心操作和使用电动工具

- ▶ 如果配套工具卡住或停转，则关闭电动工具。电动工具可能会横向偏转。
- ▶ 直至电动工具完全停止才可将其放下。



3 说明

3.1 产品概述



- ① 夹头
- ② 功能选择开关
- ③ 控制开关
- ④ 控制开关锁
- ⑤ 侧面手柄
- ⑥ 旋钮
- ⑦ 维护指示灯
- ⑧ 锁止按钮
- ⑨ 电动工具的插头
- ⑩ 带键控可拆式插头的电源线

3.2 预期用途

本文所述产品是一个电动破碎机。它设计用于砖石建筑和混凝土的中等负荷凿边作业。

- ▶ 只有当相连电源的电压和频率符合电动工具标牌上的给定信息时，才能操作本电动工具。

3.3 Active Vibration Reduction (AVR)

破碎机配备有 Active Vibration Reduction (AVR) 系统，能够显著减小振动。

3.4 可能的误用

- 该产品不适用于加工危险材料。
- 该产品不适用于在潮湿环境下工作。
- 本产品可能无法连接电压和频率不符合标牌上给定信息的电源。

3.5 维护指示灯

破碎机配备了一个维护指示灯 LED。

状态	含义
维护指示灯亮起。	维护间隔周期结束 - 到了该进行维护的时候。
维护指示灯闪烁。	本产品有故障。将本产品交由 Hilti 维修中心修复。

3.6 供货提供的部件：

破碎机、侧面手柄、操作说明。



经批准可以与本产品搭配使用的其他系统产品，可以在您当地的 www.hilti.group 购买或访问 Hilti Store 在线订购



4 技术数据

4.1 破碎机

有关额定电压、频率、电流和输入功率的详细信息，请参见各国特定的电动工具铭牌。

当通过发电机或变压器供电时，发电机或变压器的输出功率必须至少达到本电动工具铭牌上显示的额定输入功率的两倍。变压器或发电机的工作电压必须始终保持在在本电动工具额定电压的 +5% 和 -15% 范围内。

	TE 500-AVR
重量 (按照 EPTA 程序 01)	6.3 kg

4.2 噪音信息和振动值按照 EN 60745 标准

这些说明中给出的声压和振动值是按照标准化测试进行测量的，可用于比较一个电动工具与另一个电动工具。它们还可用于初步评价受振动影响的程度。提供的数据代表本电动工具的主要应用场合。但是，如果将电动工具用于不同的应用场合、使用不同的配套工具或维护不良，则数据可能不同。这可能会显著增加操作者在整个工作期间受振动影响的程度。对受振动影响程度的准确估计还应考虑当关闭电动工具或当它运行但实际未进行工作时的情况。这可能会显著减小操作者在整个工作期间受振动影响的程度。此外，应确定附加安全措施，以保护操作者免受噪音和/或振动影响，例如：正确维护电动工具和配件、使双手保持温暖、合理安排工作模式。

噪声排放值

	TE 500-AVR
声 (功率) 级 (L_{WA})	95 dB(A)
声音功率级的不确定性 (K_{WA})	3 dB(A)
声压级 (L_{pA})	84 dB(A)
声压级的不确定性 (K_{pA})	3 dB(A)

总振动量

	TE 500-AVR
凿边 ($a_{h, Cheq}$)	6.8 m/s ²
不确定性 (K)	1.5 m/s ²

5 操作

5.1 工作现场的准备工作

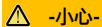


人身伤害的危险！产品意外启动。

- ▶ 对电动工具进行任何调节前或更换配件前，先拔出电源线插头。

请遵守本文档中以及产品上的安全说明和警告。

5.1.1 安装侧面手柄



人身伤害的危险！失去对破碎机的控制。

- ▶ 检查并确认侧面手柄已正确安装和可靠固定。

1. 将侧面手柄夹紧带越过夹头从前面滑入提供的凹槽中。
2. 将侧面手柄调整到期望的位置。
3. 通过转动旋钮固定侧面手柄，直至夹紧带收紧。



5.1.2 连接可拆卸电源线



人身伤害的危险！触点变脏可能导致漏电！

▶ 只有当可拆卸插头清洁、干燥且电源线从插座内拔出时，才能将可拆卸插头插入电动工具中。

1. 将可拆卸式键控电插头在插座中插到底，直到听到其接合的声音。
2. 将电源线插头插入电源插座。

5.1.3 安装/拆卸配套工具



人身伤害的危险！工具会因使用而变得较热。

▶ 更换工具时，戴上防护手套。

1. 在配套工具的连接端涂抹少量润滑脂。
2. 将配件工具推入夹头中并推到底（直至它接合）。
 - ▶ 本产品处于备用状态。
3. 向后拉动夹头，直到拉不动为止，然后拆下配套工具。



请仅使用 Hilti 提供的推荐润滑脂。使用不合适的润滑脂可能会损坏本产品。

5.1.4 凿子定位

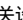


人身伤害的危险！失去对凿子方向的控制。

▶ 当选择开关被设置到“凿子定位”位置时，不要操作工具。将功能选择开关转到“凿边”位置。



可以将凿子调整至 24 个不同位置（以 15° 为增量）。这样可确保总是可以将平头和成形凿子设置到最佳工作位置。

1. 将功能选择开关设置至  位置。
2. 将凿子旋转至期望的位置。
3. 将功能选择开关接合在 **T** 位置。
 - ▶ 工具处于备用状态。

5.1.5 断开可拆卸电源线

1. 从电源插座上拔掉电源线插头。
2. 按下释放按钮，从插座中拔出带钥匙的可拆卸式电插头。
3. 从电动工具上拉出电源线插头。

5.2 工作类型



电击风险！如果试图在不带接地导线以及未正确连接接地故障断路器的情况下操作工具，则会导致严重受伤和烫伤。

▶ 不论使用的是主电源还是发电机电源，应始终确保电源中带有接地导线且已正确连接接地故障断路器。

▶ 除非这些安全措施到位且完全起作用，否则请勿使用本产品。



损坏的电源线会构成危险！在工作时，不要接触已损坏的电源线或加长电缆。将电源线插头从电源插座上断开。

▶ 定期检查设备的电源线，如果发现损坏，则让有资格的专业人员进行更换。

在开始工作之前，必须获得现场工程师或建筑师完全批准。

5.2.1 凿边

▶ 将功能选择开关设置至 **T** 位置。



5.2.2 打开/关闭连续操作

当凿边时，“打开/关闭”开关可锁止在“打开”位置。

1. 向前推动连续操作锁止按钮。
2. 尽可能按下“打开/关闭”开关。
 - ▶ 本产品随后以连续操作模式运行。
3. 向后推动连续操作锁止按钮。
 - ▶ 本产品关闭。

6 维护和保养



-警告-

电击危险！ 如果试图在电源线连接电源插座的情况下执行保养和维护，则会导致严重受伤和烫伤。

- ▶ 执行维护和保养任务之前，请务必拔下电源线。

保养

- 小心地清除工具上的顽固污渍。
- 使用干燥的刷子小心清洁通风孔。
- 请仅使用略湿的布清洁壳体。不要使用含硅清洁剂，否则可能腐蚀塑料件。

维护



-警告-

电击危险！ 电气部件的不当维修会造成包括灼伤在内的严重人身伤害。

- ▶ 工具或设备的电气系统只能由受过培训的电气专业人员进行维修。
- 定期检查所有可见部件和控制器是否出现损坏迹象，确保其全部正常工作。
- 如果发现损坏迹象或如果有部件发生故障，不要操作本产品。立即将产品交由 Hilti 维修中心修复。
- 清洁和维护之后，安装所有护板或保护装置，检查并确认其正常工作。



为确保安全和可靠的操作，仅限使用 Hilti 原装备件和消耗品。Hilti 批准用于配合产品使用的备件、消耗品和配件可到您当地的 **Hilti Store** 购买或通过以下网址在线订购：www.hilti.group。

7 运输和存放

- 运输电动工具时不得安装配套工具。
- 储存电动工具或设备之前，必须拔掉电源线。
- 将工具和设备存放在儿童或非授权人员无法接近的干燥位置。
- 经过长时间的运输或储存后，检查电动工具或设备是否损坏。

8 故障排除

如果您碰到的问题未在此表中列出或您无法自己实施补救措施，请联系 **Hilti** 服务部门。

8.1 故障排除

故障	可能原因	解决方案
破碎机未启动。	电源中断。	▶ 接上另一电动工具或设备并检查它是否工作。
	在电源中断之后电子重新启动联锁装置启动。	▶ 关闭电动工具然后再次打开。
	发电机处于睡眠模式。	▶ 通过连接另一个耗电产品 (例如，工作灯) 给发电机施加负载。关闭工具然后再次打开。
	工具已经发生故障。	▶ 将本产品交由 Hilti 维修中心修复。



故障	可能原因	解决方案
破碎机未启动。	碳刷磨损。	▶ 让经过培训的电气专业人员进行检查，必要时进行更换。
没有锤击作用。	电动工具过冷。	▶ 使配套工具尖接触到工作面，打开电动工具并使其运转。必要时，重复该步骤，直到锤击机构开始工作。
破碎机不能达到全功率。	加长电缆过长或其截面积不足。	▶ 使用具有许可长度和/或足够截面积的加长电缆。
	没有完全按下控制开关。	▶ 尽可能按下控制开关。
凿子不能从夹头上释放。	夹头未完全向后拉回。	▶ 将夹头尽量向后拉动，然后拆下插入工具。
维护指示灯闪烁。	工具已经发生故障。	▶ 将本产品交由 Hilti 维修中心修复。
维护指示灯亮起。	碳刷磨损。	▶ 让经过培训的电气专业人员进行检查，必要时进行更换。
	工具有故障或保养到期。	▶ 仅限将本产品交由 Hilti 维修中心修复。

9 废弃处置

大部分用于 Hilti 工具和设备生产的材料是可回收利用的。在可以回收之前，必须正确分离材料。在很多国家，您的旧工具、机器或设备可送至 Hilti 进行回收。敬请联系 Hilti 服务部门或您的喜利得公司代表获得更多信息。



- ▶ 不得将电动工具、电子设备或电池作为生活垃圾处置！

10 RoHS (有害物质限制)

您可通过以下链接跳转至危险物质表：qr.hilti.com/rxxx。
您将在本文档末尾找到指向 RoHS 表格的链接（二维码形式）。

11 制造商保修

- ▶ 如对保修条件有任何疑问，请联系您当地的 Hilti 代表。





EC Declaration of Conformity | UK Declaration of Conformity



Manufacturer:
Hilti Corporation
Feldkircherstraße 100
9494 Schaan | Liechtenstein

UK Importer:
Hilti (Gt. Britain) Limited
No. 1 Circle Square, 3 Symphony Park
Manchester, England, M1 7FS

TE 500-AVR (03)

Serial Numbers: 1-99999999999

2006/42/EC | Supply of Machinery (Safety) Regulations 2008

EN 60745-1:2009+
A11:2010

EN 60745-2-6:2010

EN 55014-2:2015

2014/30/EU | Electromagnetic Compatibility Regulations 2016

EN 55014-1:2017+
A11:2020

2011/65/EU | The Restriction of the Use of Certain Hazardous Substances in Electrical and Electronic Equipment Regulations 2012

2000/14/EC | Noise Emission in the Environment by Equipment for use Outdoors Regulations 2001

Details to 2000/14/EC | Noise Emission in the Environment by Equipment for use Outdoors Regulations 2001:

Measured sound power level L_{WA} : 94 dB/1pW

Guaranteed sound power level, L_{WAd} : 103 dB/1pW

Conformity assessment procedure: 2000/14/EC Annex VI | Noise Emission in the Environment by Equipment for use Outdoors Regulations 2001, Schedule 9

EU Notified Body: TÜV NORD CERT GmbH
Am TÜV 1, 45307 Essen, Germany (CE 0044)

UK Approved Body: HORIBA MIRA Certification Ltd
Watling Street, Nuneaton, Warwickshire CV10 0TU (No 0888)

Schaan, 26.09.2022

Dr. Tahar Zrilli
Head of Quality and Process Management
Business Area Electric Tools & Accessories

Edward-Louis Przybyłowicz
Head of BU Power Tool & Accessories
Business Area Electric Tools & Accessories



<http://qr.hilti.com/r7770032>



Hilti Corporation
LI-9494 Schaan
Tel.:+423 234 21 11
Fax:+423 234 29 65
www.hilti.group



2146361