

# TCR-1000 AIR HOIST

The **TCR-1000** is a 1000 kg chain hoist from Red Rooster Lifting. This is part of our air hoist hook suspension range for lifting equipment applications in industry.



**RED ROOSTER  
LIFTING**

RAISING EXPECTATIONS



The **Red Rooster Lifting** TCR series of air hoists offers a comprehensive range of lifting equipment suited to all types of industrial and marine environments. Red Rooster Lifting hoists are the perfect lifting solution for where the duty is high, or where a robust hoist is required to withstand harsh conditions. The hoists comply with the UK supply of Machinery (Safety) Regulations 2008 and the European Machinery Directive. The hoists can be UKCA marked or CE marked.

## STANDARD FEATURES

- Toku rotary vane motor
- Robust epicycle gearbox
- Failsafe automatic internal disc brake
- Mechanical upper & lower switches
- Cast steel housing
- Internal silencing down to 83 dB(A)
- Alloy safety swivel hooks with safety catch
- Load chain 7 x 21mm of European manufacture to EN818-7
- Automatic load limiter

## AVAILABLE OPTIONS

- Marine specification
- Special paint systems
- Corrosion protection
- UK Ex scheme or ATEX zone 1 specification
- Chain collectors (PVC, galvanised or stainless steel)
- Air service units
- Radio control
- Main air shut off valve



**UK EX SCHEME ZONE 2  
ATEX ZONE 2  
AS STANDARD**

T: +44 (0) 1651 872101  
sales@redroosterlifting.com

**REDROOSTERLIFTING.COM**

**Red Rooster Lifting Limited** Nauta House, The Meadows, Oldmeldrum, Inverurie, Aberdeenshire, UK, AB51 0EZ

# TCR-1000 AIR HOIST

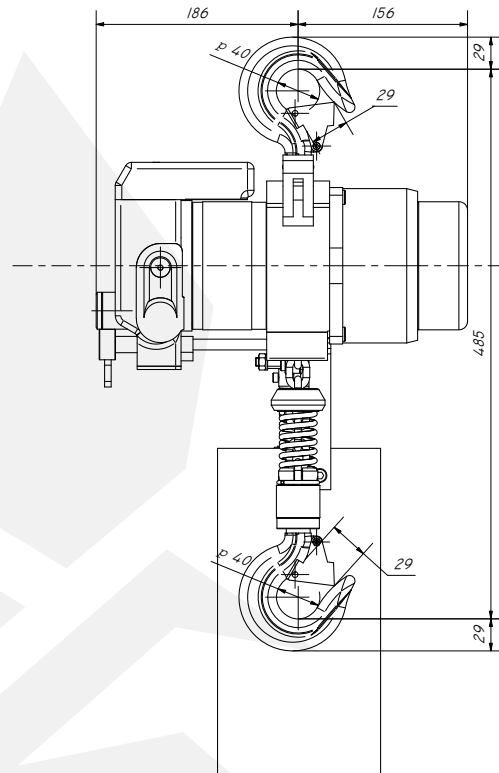
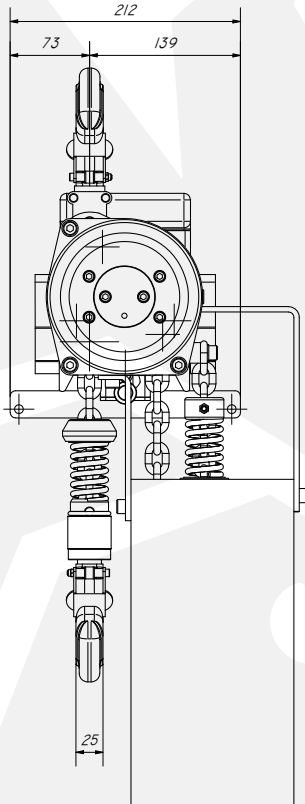


**RED ROOSTER  
LIFTING**

RAISING EXPECTATIONS

## DIMENSIONS

All measurements are in mm  
Information subject to change without notice



| HOIST MODEL                | TCR-1000   |
|----------------------------|------------|
| WLL                        | 1000 kg    |
| CHAIN FALLS                | 1          |
| LIFTING SPEED WITH LOAD    | 6.0 m/min  |
| LIFTING SPEED WITHOUT LOAD | 11.3 m/min |
| LOWERING SPEED WITH LOAD   | 10.3 m/min |
| AIR CONSUMPTION LIFTING    | 25 l/sec   |
| AIR CONSUMPTION LOWERING   | 28 l/sec   |
| WORKING PRESSURE           | 6 Bar      |
| AIR CONNECTION             | 1/2" BSP   |
| MINIMUM HOSE DIA.          | 1/2"       |
| WEIGHT 3M HOL              | 34.0 kg    |
| ADDITIONAL METRE HOL       | 1.1 kg     |

T: +44 (0) 1651 872101  
sales@redroosterlifting.com