

## Installation Instructions - Safety Notes

for Halfen Ring Clutch System Frimeda

TPA - 01/95 EE

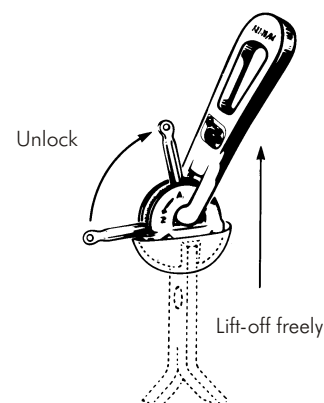
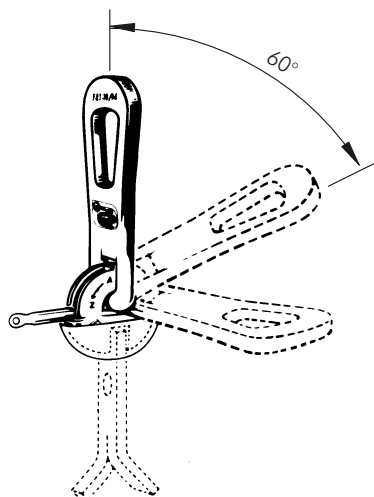
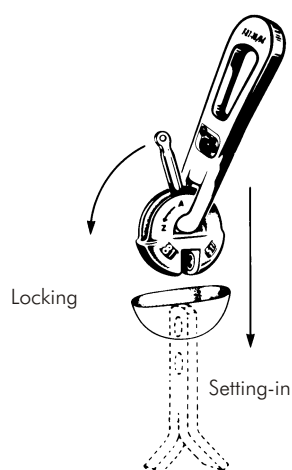
Page 1/2

### Engaging

### Lifting

### Releasing

#### Type R1



To engage the ring clutch on to the anchor;

1. Pull the bolt handle upwards so that the mouth of the ring clutch is open.
2. Lower into the recess, sliding the mouth of the ring clutch over the head of the anchor.
3. Push the bolt handle downwards towards the concrete. The curved end of the bolt will pass through the eye of the anchor, completing the connection.

The unit is now ready for handling.

Before applying the load, check that the ring clutch, hooks and cables are free to move and are not wedged or kinked.

The ring clutch can be loaded in all directions.

#### **NOTE: ANGLE OF LIFT**

**The maximum angle of lift (due to splay of the slings/chains) is 60°.**

**For greater angles of lift consult Halfen Ltd.**

To disengage the ring clutch from the anchor, simply pull the bolt handle upwards.

The ring clutch can now be withdrawn from the anchor

## Maintenance

Ring Clutches should be visually inspected before each use for obvious signs of damage. Where the ring clutch has a wire rope, this should be inspected for excessive corrosion, broken wire strands, etc.

It is possible to replace a worn sliding bolt by removing the locking pin in the top of the clutch. Once the new bolt is fitted the locking pin must be replaced.

If in doubt please consult our technical department

## Installation Instructions - Safety Notes

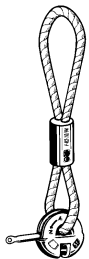
for Halfen Ring Clutch System Frimeda

TPA - 01/95 EE

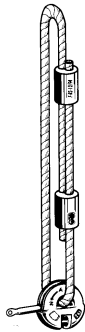
Page 2/2

### Halfen Ring Clutch with wire rope

**Type R2**



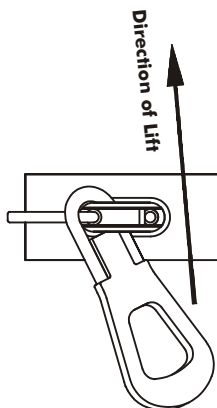
**Type R3**



The clutch tops and bolts are constructed like the hand-operated ring clutch with bail.

Application instructions as Type R1 overleaf

### Incorrect use of Halfen Ring Clutch

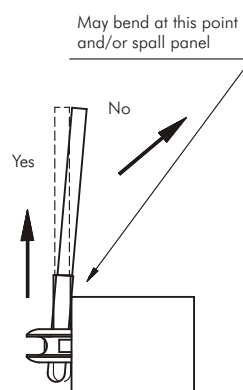


#### Locking

The bail, if positioned below the ring clutch and a load is applied, may lock itself in a position, as illustrated.

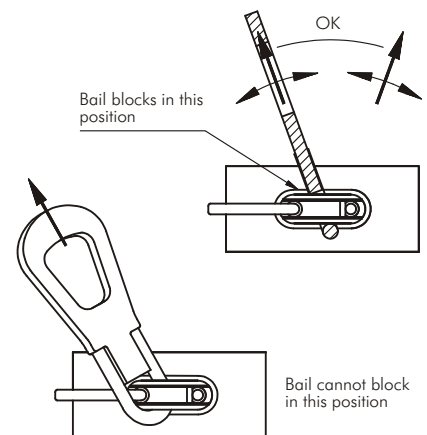
As the panel is lifted the bail may bend.

As the panel reaches a more vertical position the bail will unlock itself, resulting in an impact load.



#### Bending over panel edge

If a load is applied in a direction towards the bottom of the panel when the lift is not directly over the ring clutch, the bail may bend over the panel edge.



#### Blocking

In this position the bail might be blocked inside the clutch housing.

A flatter angle of sling rope will cause deflection of the bail.

This problem may be corrected by turning the bail by about 45°.